

Multi-axis controller V11



The multi-axis controller V11 is a robust switching device for crane and hoisting applications. The modular design enables the switching device to be used universally. The V11 is resistant to oil, maritime conditions e.g. offshore / vessels, UV radiation typically from the sun.



Technical data

Mechanical life	10 million operating cycles
Operation temperature	-40°C to +85°C
Degree of protection	up to IP54 front

1

	V11L	S5	P	T	Example					-X
					-01 Z P	+03A R	-A05 P324	+A110		
Basic unit										
V11L 2-axis left										
Control-handle extended										
S5 -20 mm										
Gate										
P Cross gate										
Grip / palm grip										
T Dead man										
Axis 1 (direction 1-2)										
01 2 contacts (2A 250 V AC15)										
Z Spring return										
P Potentiometer										
Axis 2 (direction 3-4)										
03A 6 contacts (4A 250 V AC15)										
R Friction brake										
Description axis 1 (direction 1-2)										
A05 Arrangement MS21										
P324 Potentiometer T365 2 x 5 kOhm										
Description axis 2 (direction 3-4)										
A110 Arrangement MS24-0										
Special model										
X Special / customer specified										

Combination possibilities with our handles



V11L S5 P T - 01 Z P + 03A R P - A05 P324 + A110 P325 - X

Basic unit

V11L	2-axis left
V11R	2-axis right
V11.1L	1-axis left
V11.1R	1-axis right

Control-handle extended

	Standard 120 mm*
S5	-20 mm
S8	+20 mm

*Only available in combination with handle!

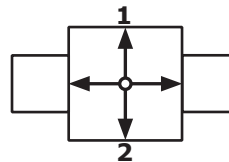
Gate

P	Cross gate
P X	Special gate

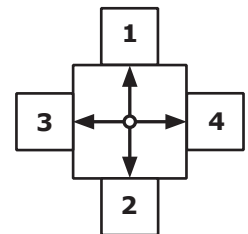
Grip / palm grip

	Knob (included in basic unit!)
M	Mechanical zero interlock
MN	Mechanical zero interlock (push down)
T	Dead man
H	Signal button
D	Push button
DV	Flush push button
B...	Palm grip B... (see page palm grip 157)

Identification of the installation variants with switching directions:



V11.1



V11

V11L S5 P T - 01 Z P + 03A R P - A05 P324 + A110 P325 - X

Axis 1: direction 1-2 left / direction 5-6 right			
(Standard contacts gold-plated 2A 250 V AC15)			
01	<input type="checkbox"/>	2 contacts	Standard contact - arrangement see page 140
02	<input type="checkbox"/>	4 contacts	e.g.
03	<input type="checkbox"/>	6 contacts	A980 MS00 A05 MS21 A0500 MS21-00 A110 MS24-0 (Max. 4 steps per switching direction possible!)
<input checked="" type="checkbox"/>		Silver contacts (4A 250 V AC15)	A99 contact - arrangement according customer request
Z	Spring return		
R	Friction brake		
(P)	Possibility of mounting potentiometer and encoder (Gessmann-types)		
P	Potentiometer	P324 T365 2 x 5 kOhm	I max. 1 mA
		P325 T365 2 x 10 kOhm	I max. 1 mA
		<i>More potentiometers on request!</i>	
C	Encoder	C... Encoder see page 146	

V11L S5 P T - 01 Z P + 03A R P - A05 P324 + A110 P325 - X

Axis 2: direction 3-4 left / direction 7-8 right			
(Standard contacts gold-plated 2A 250 V AC15)			
01	<input type="checkbox"/>	2 contacts (2A 250V AC15)	Standard contact - arrangement see page 140
02	<input type="checkbox"/>	4 contacts (2A 250V AC15)	z.B.
03	<input type="checkbox"/>	6 contacts (2A 250V AC15)	A980 MS00 A05 MS21 A0500 MS21-00 A110 MS24-0 (Max. 4 steps per switching direction possible!)
<input checked="" type="checkbox"/>		Silver contacts (4A 250 V AC15)	A99 contact - arrangement according customer request
Z	Spring return		
R	Friction brake		
(P)	Possibility of mounting potentiometer and encoder (Gessmann-types)		
P	Potentiometer	P324 T365 2 x 5 kOhm	I max. 1 mA
		P325 T365 2 x 10 kOhm	I max. 1 mA
		<i>More potentiometers on request!</i>	
C	Encoder	C... Encoder see page 146	

V11L S5 P T - 01 Z P + 03A R P - A05 P324 + A110 P325 - X

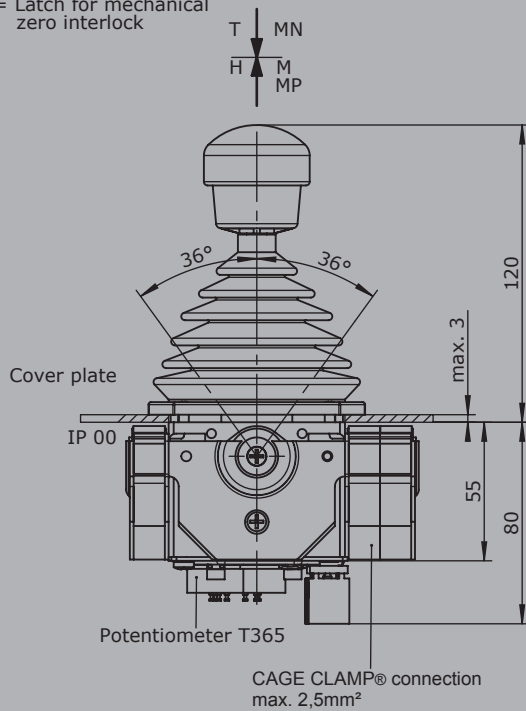
Special model	
X	Special / customer specified

Attachments	
	Indicating labels
	Indicating labels with engraving

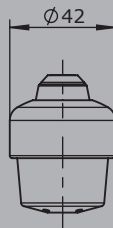
Multi-axis controller V11



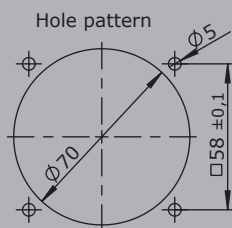
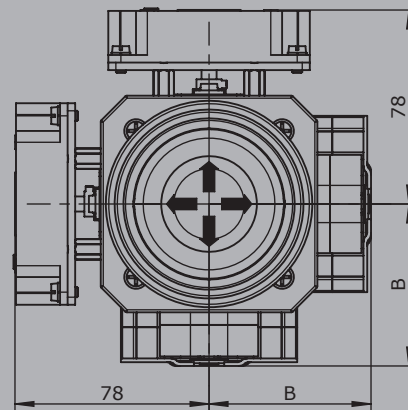
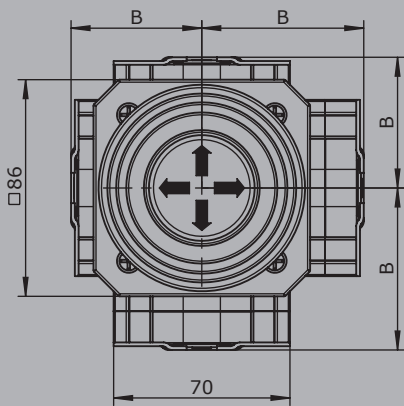
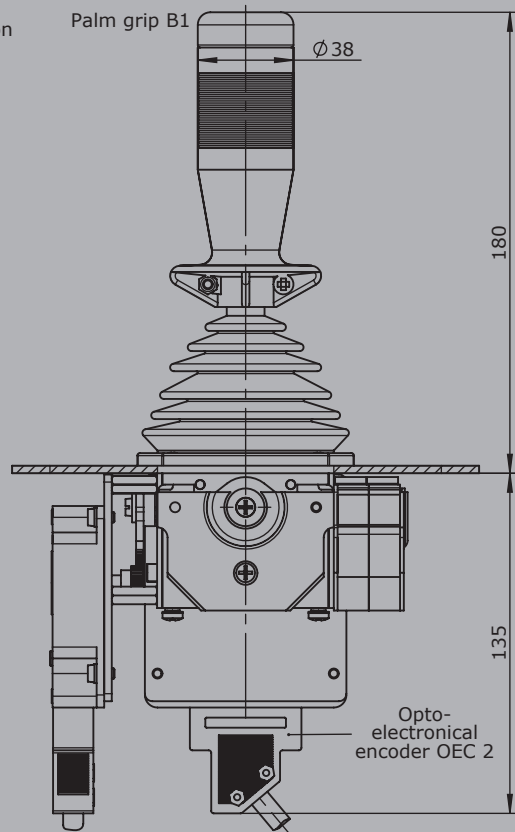
T = Dead man's button
H = Signalbutton
M = Latch for mechanical zero interlock



Knob solid
D= Push button



Palm grip B1



Type	No. of contacts	Dim. B
01	2	51
02	4	64
03	6	76

