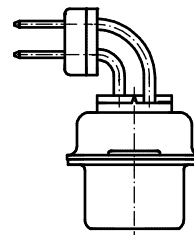
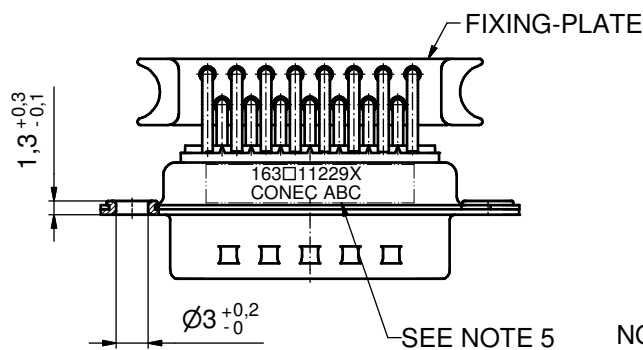
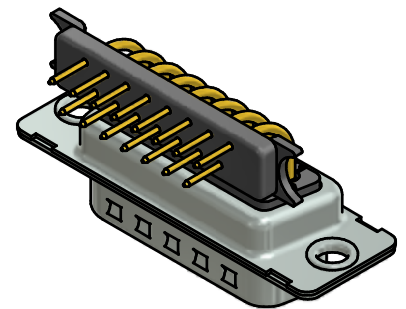
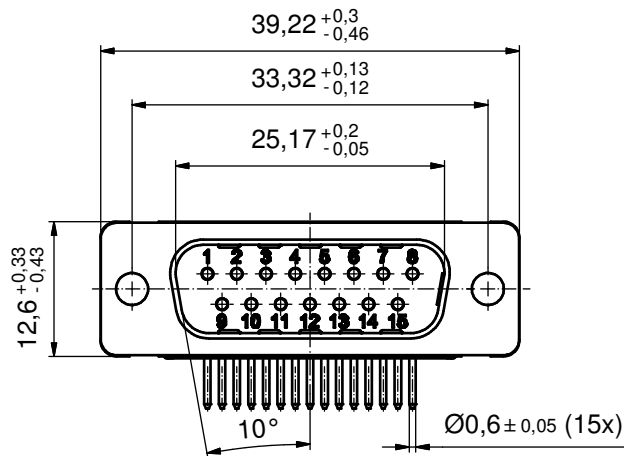
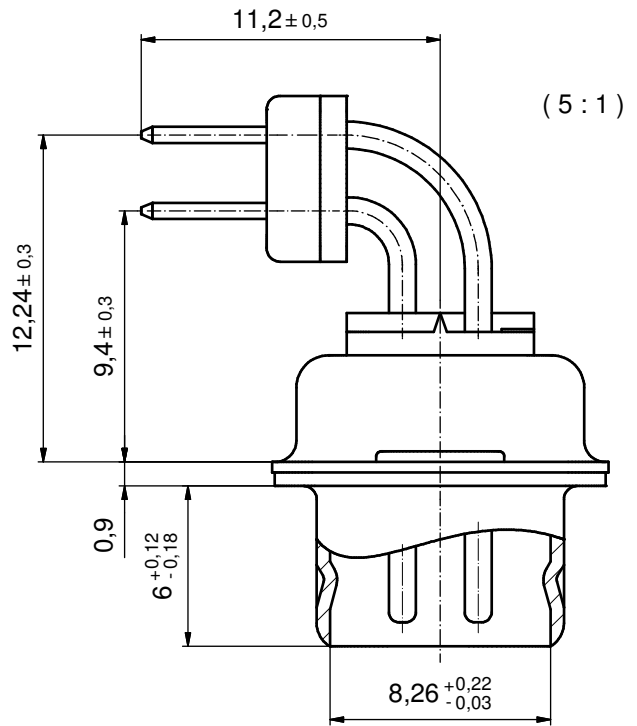
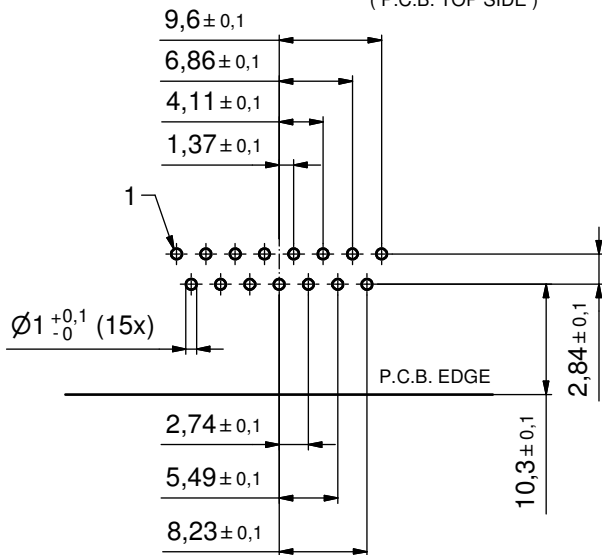


P.C.B. HOLE DRILLINGS
(P.C.B. TOP SIDE)



NOTES:

- METALSHELLS: STEEL; min. 315µm TIN over 40-80µm NICKEL
- INSULATORS: PBT GF UL 94 V-0, BLACK
- CONTACTS: COPPER ALLOY; PLATING (SEE PART NO.):
 - PLEASE ADD A for GOLD FLASH over NICKEL (PREFERRED TYPE)
 - PLEASE ADD B for 20µm HARD GOLD over min. 50µm NICKEL
 - PLEASE ADD C for 30µm HARD GOLD over min. 50µm NICKEL
- FIXING PLATE: PBT GF UL 94 V-0; BLACK
- CONNECTOR IS PART MARKED: **163□11229X CONEC ABC** (see part 3)

Directive 2002/95/EC RoHS compliant

THIS DRAWING MAY NOT BE COPIED OR REPRODUCED IN ANY WAY, AND MAY NOT BE PASSED ON TO A THIRD PARTY WITHOUT WRITTEN PERMISSION. OWNERSHIP AND COPYRIGHT OF CONEC GmbH DO NOT ALTER CAD DRAWING BY HAND	tolerance		dim. in mm		scale: 2:1 (5:1)	
					material: SEE NOTES	
	drawn	06.02.14	Henneboel		title: D-SUB MALE 90° 15pos. SOLDER PIN ANGLED 0.370inch with fixing-plate	
	appd.	06.02.14	Lehmenkühler			
	norm					
	d-old					
rev.	a	Original			dwg no:	DIN-A3
description					16K1A3395	sh: 1
date					part no:	163□11229X (see note 3)