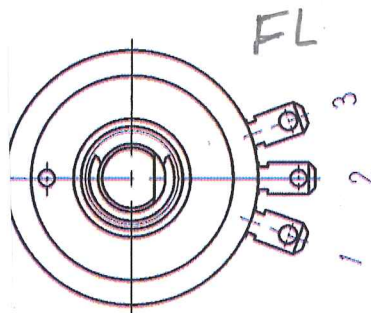
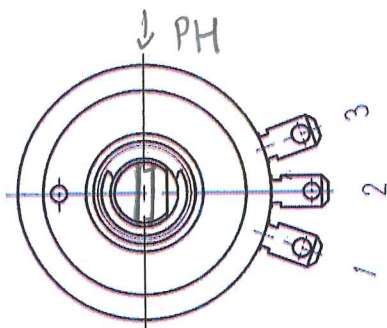


SHAFT
LENGTH



The output ratio from the wiper contact is 50% when the flattened area on the shaft is positioned as illustrated

OR PH

SFCP22EG