

Please provide the dimensions for the PIN HOLE – Through Hole (PH) shaft version.

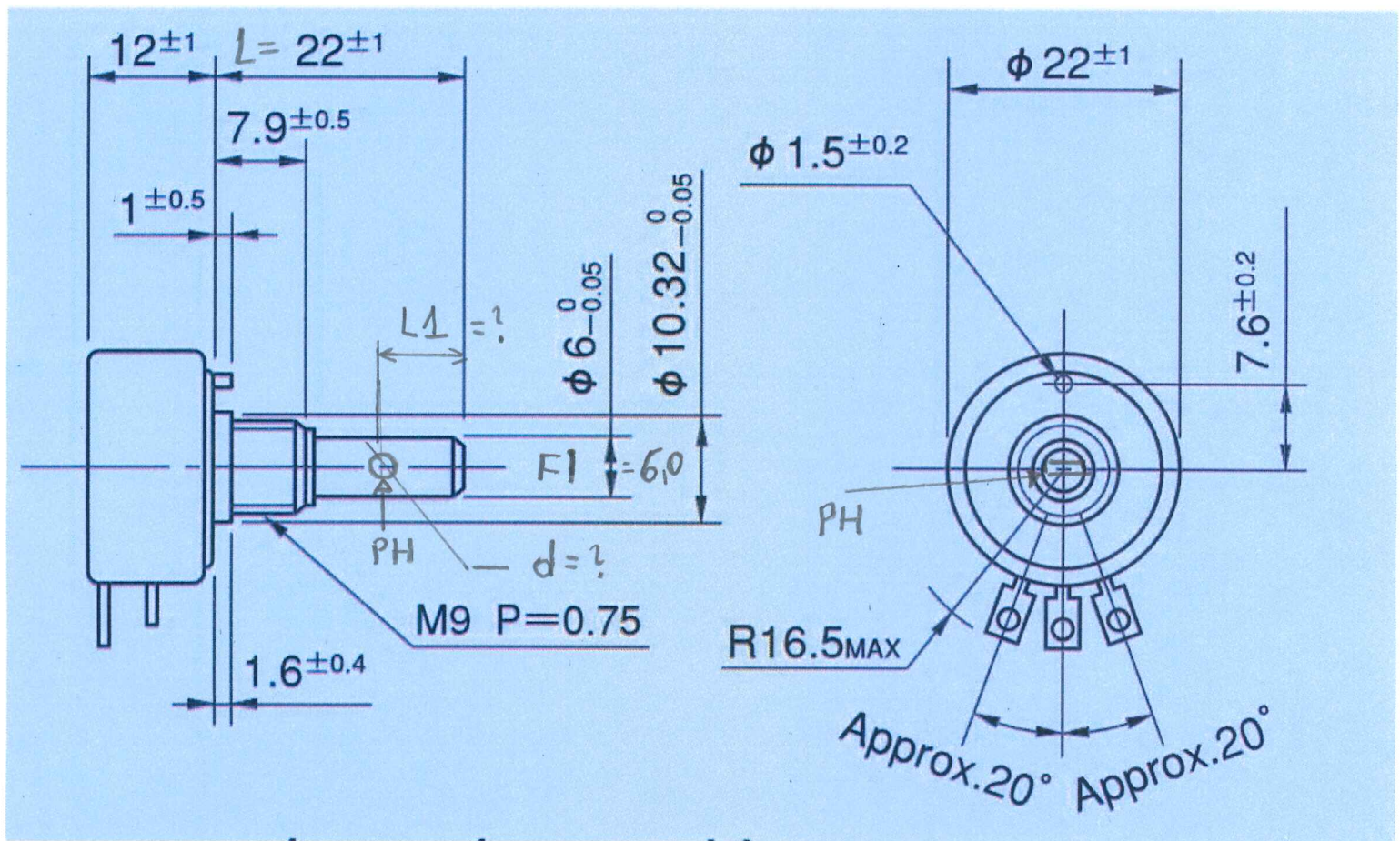
<https://www.meditronik.com.pl/doc/bourns/sakae-shaft.htm>

Please provide Shaft length $L = ??$ (Standard is 22 mm)

Please provide Shaft diameter $F1 = ??$ (Standard is 6,00 mm)

Please provide the $L1$ dimension = ?

Please provide the d dimension = ?? +0.1 – 0.0



The hole will be drilled standardly relative to the potentiometer's track.

The output ratio from the wiper contact is 50 % when the PH on the shaft is positioned as illustrated. (If you want it to be different, please specify)