

Single-axis controller S22 / SS22



The single-axis controller S2/SS2 is a robust switching device for remote controlled and electrohydraulic applications. The modular design of the switching device is universally applicable. The single-axis controller is resistant to oil, maritime conditions e.g. offshore / vessels, UV radiation typically from the sun.

Technical data

Mechanical life S22	6 million operating cycles
Mechanical life SS22	10 million operating cycles
Operating temperature	-40°C to +85°C
Degree of protection	up to IP54



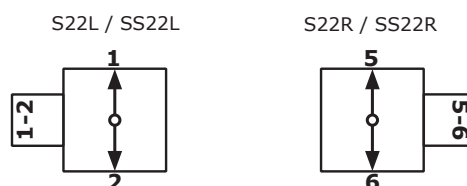
Example

	S22L	S5	T	- 3 Z P	- A050 P134	- X
Basic unit						
S22L left						
Control-handle extended						
S5 -20 mm						
Grip / palm grip						
T Dead man						
Axis 1 (direction 1-2)						
3 3 contacts (2A 250 V AC15)						
Z Spring return						
P Potentiometer						
Description axis 1 (direction 1-2)						
A050 Arrangement MSP21-0						
P134 Potentiometer T396 2 x 5 kOhm						
Special model						
X Special / customer specified						

	S22L	S5
Basic unit		
S22L Single-axis controller left		
S22R Single-axis controller right		
Reinforced version		
SS22L Single-axis controller left		
SS22R Single-axis controller right		
Control-handle extended		
Standard		
S5 -20 mm		
S8 +20 mm		

T - 3 Z P - A050 P134 - X

Identification of the installation variants with switching directions:



Technical details may vary based on configuration or application! Technical data subject to change without notice!

S22L S5 T - 3 Z P - A050 P134 - X

Grip / palm grip

	Knob (standard)
M	Mechanical zero interlock
MN	Mechanical zero interlock (push down)
T	Dead man
MT	Mechanical zero interlock + dead man
H	Signal button
MH	Mechanical zero interlock + signal button
D	Push button
MD	Mechanical zero interlock + push button
DV	Flush push button
MDV	Mechanical zero interlock + flush push button
B...	Palm grip B... (on request!)

S22L S5 T - 3 Z P - A050 P134 - X

Axis 1: direction 1-2 left / direction 5-6 right

1	1 contact	Standard contact - arrangement see page 140	
2	2 contacts	z.B.	
3	3 contacts	A98	MS0
4	4 contacts	A05	MS21
		A0500	MS21-00
		<i>A99 contact - arrangement according customer request</i>	
Z	Spring return		
R	Friction brake		
(P)	Possibility of mounting potentiometer and encoder (Gessmann-types)		
P	Potentiometer	P131	T396 2 x 0,5 kOhm max. 1 mA
		P132	T396 2 x 1 kOhm max. 1 mA
		P133	T396 2 x 2 kOhm max. 1 mA
		P134	T396 2 x 5 kOhm max. 1 mA
		P135	T396 2 x 10 kOhm max. 1 mA
		<i>More potentiometers on request!</i>	
C	Codierer	C...Encoder see page 146	

S22L S5 T - 3 Z P - A050 P134 - X

Special model

- X Special / customer specified
- X1 Switching run 2-0-2

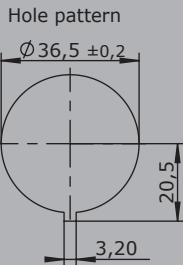
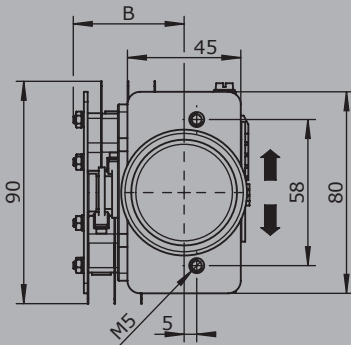
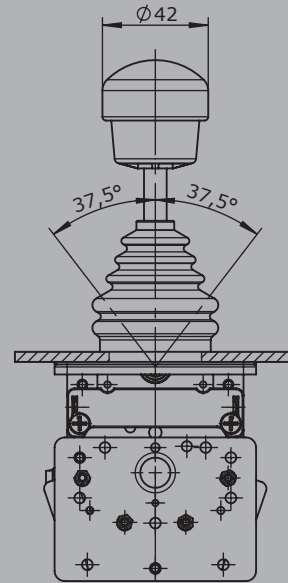
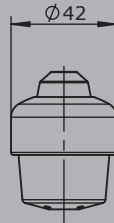
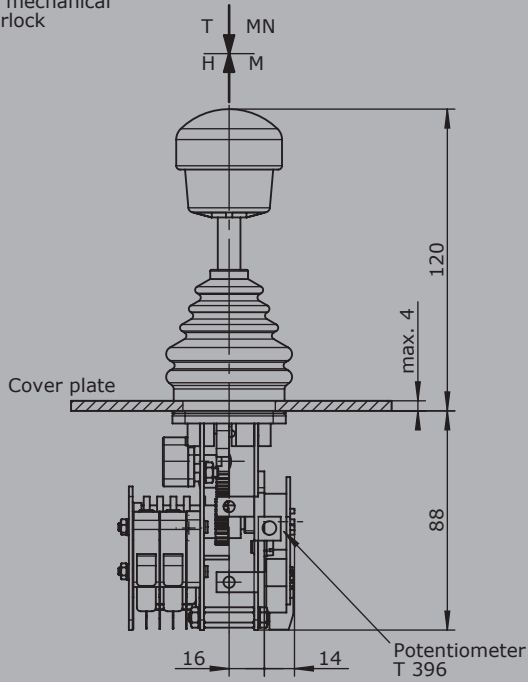
Attachments

- Indicating labels
- Indicating labels with engraving

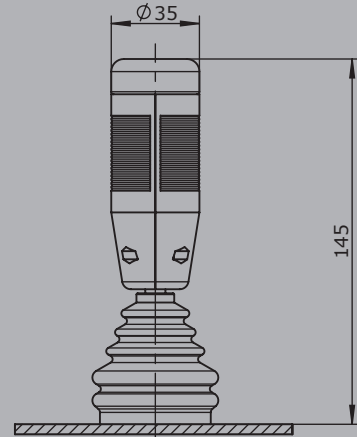
1

T = Dead man's button
 H = Signal button
 M = Latch for mechanical zero interlock

Knob solid
 D = Push button



Palm grip B5
 B5 T = Dead man's button



Type	No. of contacts	Dim. B
1	1	25
2	2	31
3	3	36
4	4	42