



Conductive Plastic Element



- **Low Profile**
- **25 ~ 250mm Stroke Lengths**
- **100 Million Cycles**
- **High Precision**
- **All Metal**

High precision, very long life industrial linear motion potentiometer series. Low profile. Aluminum housing and a standard IP60 rating make this series a popular choice for a wide range of industrial applications.

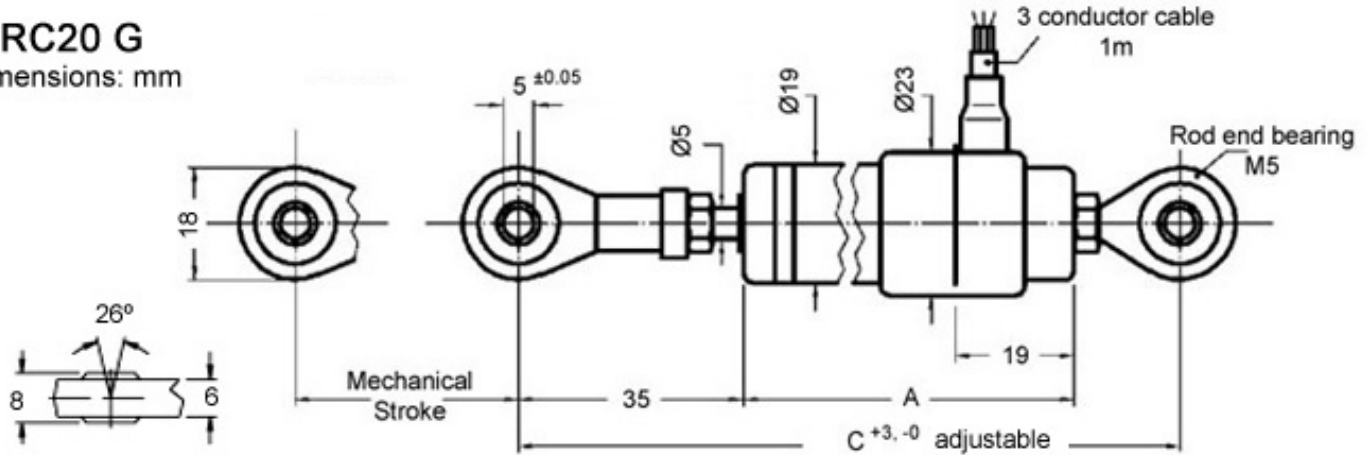
Electrical Specifications	RC20-25	RC20-50	RC20-75	RC20-100	RC20-150	RC20-200	RC20-250
Electrical Stroke (mm)	25	50	75	100	150	200	250
Resistance Value (Kohms)	1	2	3	4	6	8	10
Resistance Tolerance	± 20%						
Linearity Tolerance	±0.2%	±0.1%			±0.05%		
Resolution	Essentially infinite (<0.01mm)						
Output Smoothness	<0.1% against input voltage						
Power @ 40° (W)	0.8	1.6	2.6	3.0			
Temperature Coefficient	400 ppm/K						
Insulation Resistance	>100 Mohm @ 500 VDC						
Dielectric Strength	1 minute @ 500 VAC						
Max. Applicable Voltage	20V	40V	60V				
Maximum Wiper Current	2mA						
Recommended Wiper Current	<1µA						
Mechanical Specifications							
Mechanical Stroke (mm)	30	55	80	105	155	205	255
Operating Friction	0.5 (N) max.						
Hysteresis	0.02 %						
Weight Style G (g)	110	125	150	180	210	235	260
Weight Style M (g)	90	105	130	160	190	215	245
Weight Style M (g)	100	115	140	170	200	225	255
Life Expectancy	25 million meters or 100 million cycles, whichever occurs first						
Displacement Speed	10 m/s						
Vibration	20 g / 10Hz to 2,000 Hz (shaft retracted)						
Shock	50 g / 11ms						
Environmental Specifications							
Operating Temperature	-30°C to +100°C						
Storage Temperature	-40°C to +125°C						
IP Protection Grade	IP60						
Materials							
Housing	Aluminum						
Shaft	Stainless steel						

Dimension Table (mm)

	RC20-25	RC20-50	RC20-75	RC20-100	RC20-150	RC20-200	RC20-250
A style M	83.5	108.5	133.5	158.5	208.5	258.5	308.5
A style G	110	135	160	185	235	285	335
B style F	83.5	108.5	133.5	158.5	208.5	258.5	308.5
B style M	47	72	97	122	172	222	272
C style G	163	188	213	238	288	338	388

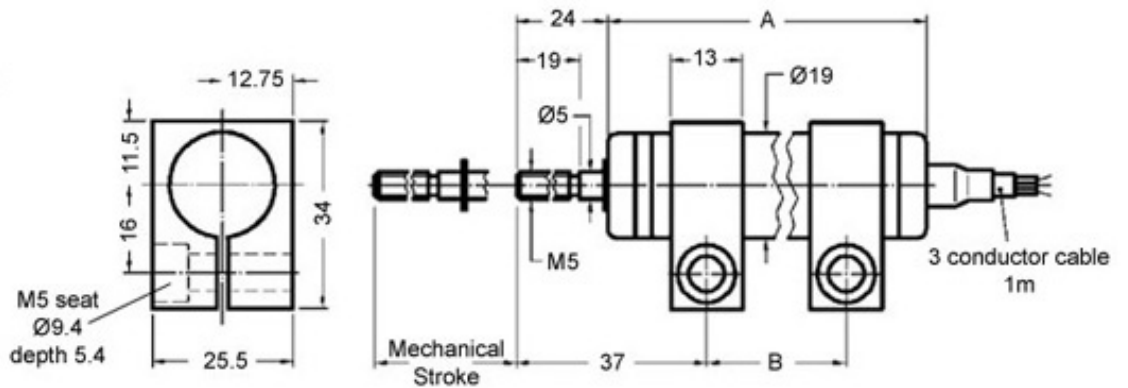
RC20 G

Dimensions: mm



RC20 M

Dimensions: mm



RC20 F

Dimensions: mm

