



Features

- Carbon element
- Metal housing
- 45 - 100 mm travel
- Single and dual gang
- Dust cover option
- RoHS compliant*

Applications

- Audio/TV sets
- Car radio
- Amplifiers/mixers/drum machines/synthesizers
- PCs/monitors
- Appliances

PTB Series - Low Profile Slide Potentiometer

Electrical Characteristics

TaperLinear, audio
 Standard Resistance Range
1 K ohms to 1 M ohms
 Standard Resistance Tolerance±20 %
 Residual Resistance
500 ohms or 1 % max.
 Insulation Resistance
Min. 100 megohms at 250 V DC

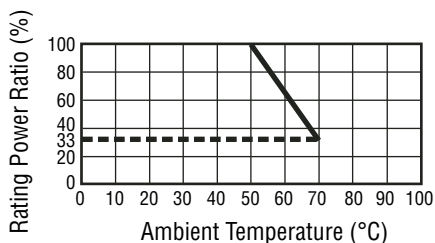
Environmental Characteristics

Operating Temperature
-10 °C to +50 °C
 Power Rating, Linear
 45 mm0.125 W (0.06 W Dual Gang)
 60 mm0.25 W (0.125 W)
 100 mm0.5 W (0.5 W)
 Power Rating, Audio
 45 mm ..0.025 W (0.015 W Dual Gang)
 60 mm0.25 W (0.125 W)
 100 mm0.25 W (0.25 W)
 Maximum Operating Voltage - Linear
 15 mm Travel.....100 VDC
 20 mm Travel.....200 VDC
 30 mm Travel.....200 VDC
 45 mm Travel.....200 VDC
 60 mm Travel.....200 VDC
 Maximum Operating Voltage - Audio
 15 mm Travel.....50 VDC
 20 mm Travel.....150 VDC
 30 mm Travel.....150 VDC
 45 mm Travel.....150 VDC
 60 mm Travel.....150 VDC
 Withstand Voltage, Audio
1 Min. at 500 V AC
 Tracking Error.....3 dB at -40 to 0 dB

Mechanical Characteristics

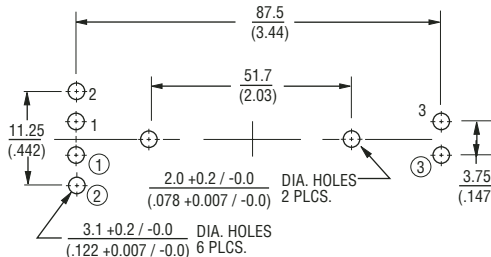
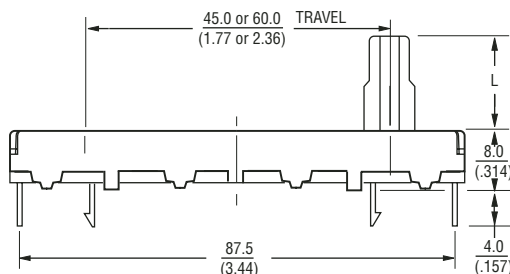
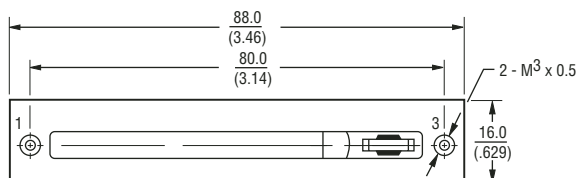
Operating Force10 to 100 g-cm
 Stop Strength.....5 kg-cm min.
 Sliding Life15,000 cycles
 Soldering Condition
300°C max. within 3 seconds
 Travel.....45, 60, 100mm

Derating Curve



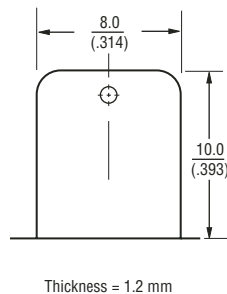
Product Dimensions

PTB45 and PTB60

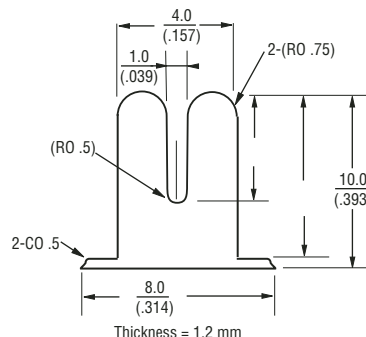


Numbers ①, ② and ③ for Dual Gang Versions

Lever Style
BP Metal Lever



AP Metal Lever



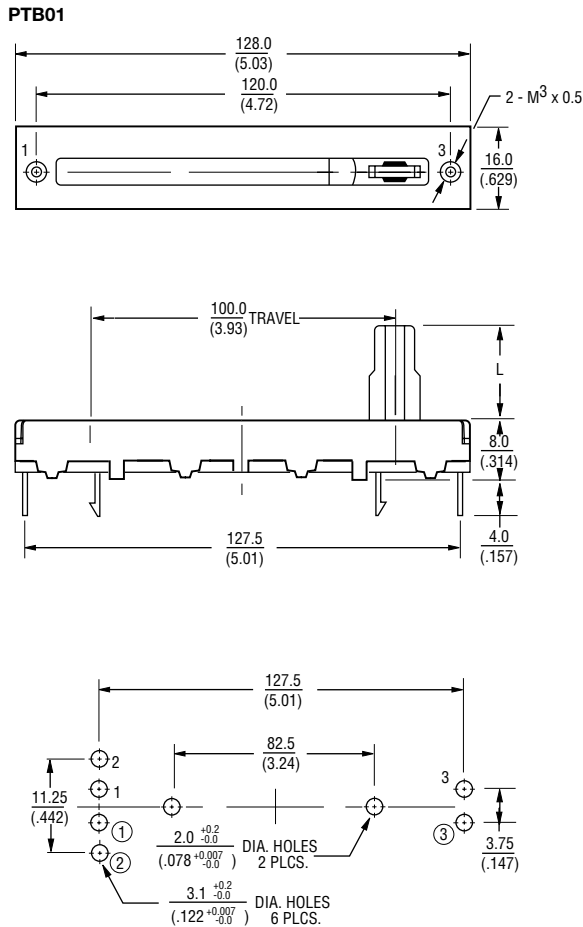
DIMENSIONS ARE: $\frac{\text{MM}}{\text{(INCHES)}}$

*RoHS Directive 2002/95/EC Jan 27 2003 including Annex. Specifications are subject to change without notice. Customers should verify actual device performance in their specific applications.

PTB Series - Low Profile Slide Potentiometer

BOURNS®

Product Dimensions



Numbers ①, ② and ③ for Dual Gang Versions

DIMENSIONS: $\frac{\text{MM}}{(\text{IN.})}$

How To Order

PTB 01 4 3 - 2 0 10 BP A 102

Model _____

Stroke Length _____
 • 45 = 45 mm
 • 60 = 60 mm
 • 01 = 100 mm

Dust Cover Option _____
 • 4 = No Dust Cover
 • 5 = Rubber Dust Cover

No. of Gangs _____
 • 3 = Single Gang
 • 4 = Dual Gang

Pin Style _____
 • 2 = PC Pins Down Facing

No Detent _____

Standard Lever Length _____
 • 10 = 10 mm

Lever Style _____
 • BP = Metal Lever (Refer to Drawing)
 • AP = Metal Lever (Refer to Drawing)

Resistance Taper _____
 • A = Audio Taper
 • B = Linear Taper

Resistance Code (See Table) _____

Other styles available

Standard Resistance Table

Resistance (Ohms)	Resistance Code
1,000	102
2,000	202
5,000	502
10,000	103
20,000	203
50,000	503
100,000	104
200,000	204
500,000	504
1,000,000	105