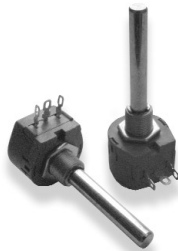


Type TW Series

Type TW Series



This high power wire wound potentiometer is a recent addition to the Tyco range. The TW series offers 1 Watt power rating, low terminal resistance and excellent linearity. For a rugged high power control potentiometer at a very attractive price the TW Series will satisfy your requirements.

Key Features

- Wirewound Element
- Proven Reliability
- Excellent Linearity
- 1 W Rating at 40°C
- Robust Construction
- Custom Designs Possible

Characteristics - Electrical

Resistance Range:	5R0 to 20K (Linear)
Resistance Values:	1, 2 and 5 in each decade
Resistance Tolerance:	10%
Linearity:	2% maximum
Rated Dissipation at 40°C:	1 W
Maximum Working Voltage:	200V DC
Electrical Rotation:	265° ±5°
Terminal Resistance:	2 ohms
Maximum Wiper Current:	100mA
Insulation Resistance:	1000M Ohms at 500V DC
Voltage Proof:	1000V AC

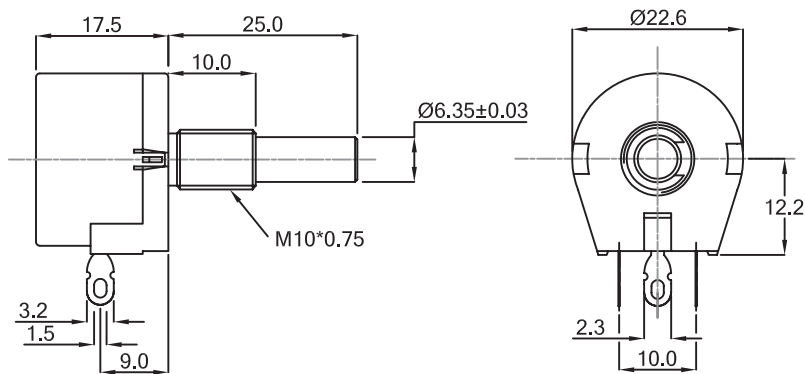
Characteristics - Mechanical

Shaft Torque:	3.5 - 100 mNm
Mechanical Rotation:	285° ±5°

Characteristics - Environmental

Operating Temperature:	-55°C to +125°C
Temperature Coefficient:	100ppm/°C
Mechanical Endurance:	10,000 operations
Sealing:	Enclosed

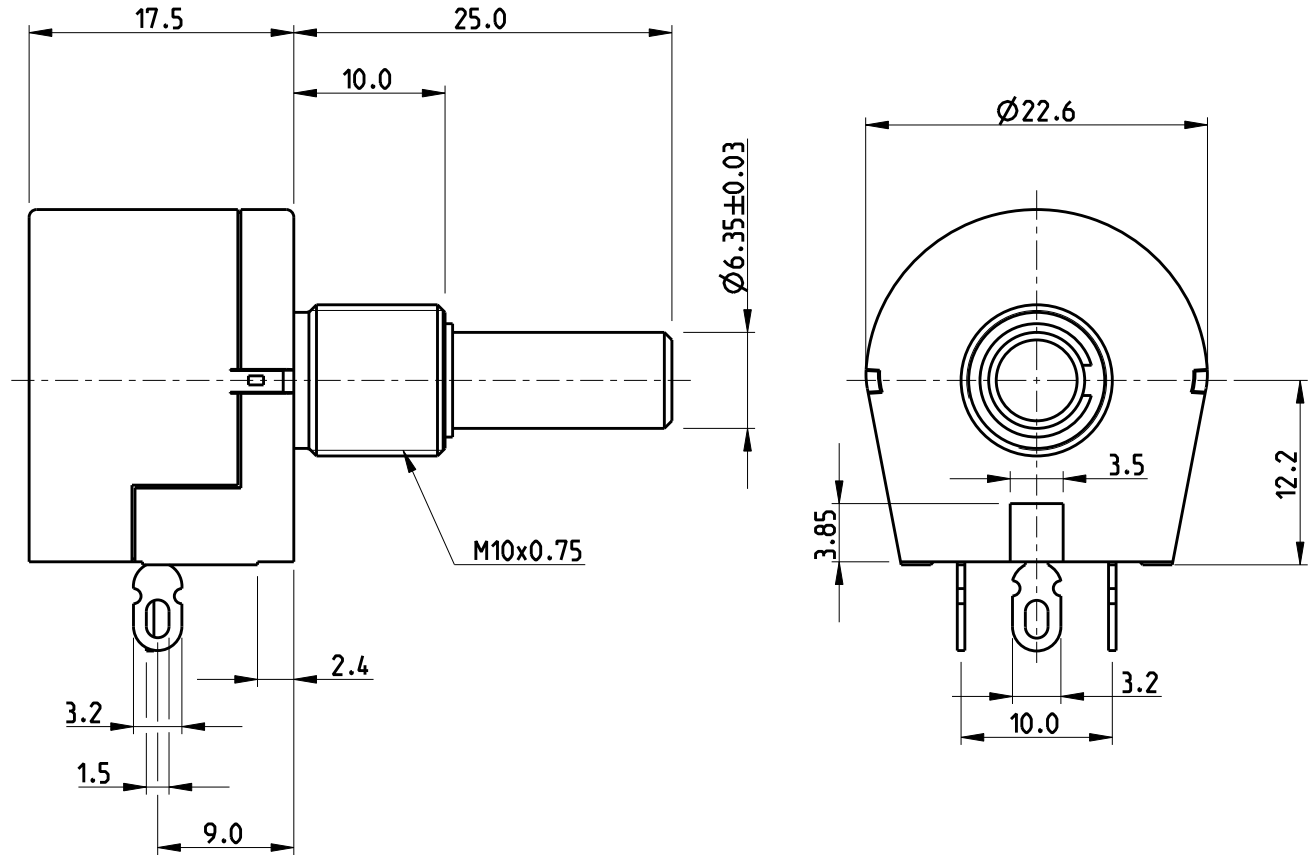
Dimensions



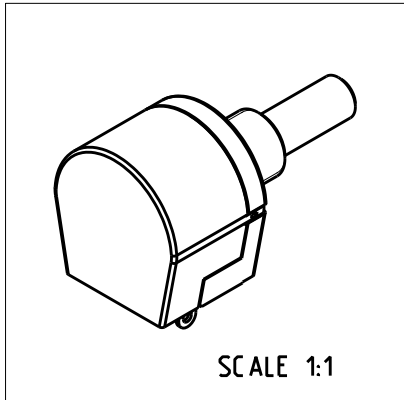
How to Order

TW	1	102	K	A
Common Part	Power Dissipation	Resistance Value	Tolerance	Shaft Style
TW - Wirewound Potentiometer	1 - 1 Watt at 40°C	The first two digits are significant figures of resistance value and the third denotes the number of zeros following. e.g. 100R: 101 1K0: 102 10K: 103 100K: 104	K - ±10%	A - 6.35 x 25mm Plain

LOC	DIST	REVISIONS					
E	B	P	LTR	DESCRIPTION	DATE	DWN	APVD
		A		NEW RELEASE	08-JAN-09	SM	St.P



RoHS Compliant



FOR FURTHER INFORMATION SEE DATA SHEET FOR
SERIES TW - WIRE WOUND SPINDLE OPERATED POTENTIOMETER

2009
RELEASED FOR PUBLICATION
THIS DRAWING IS UNPUBLISHED.
COPYRIGHT 2009 BY TYCO ELECTRONICS CORPORATION. ALL RIGHTS RESERVED.

DIMENSIONS:	DWN	08-JAN-09	MATERIAL	FINISH				
mm	SUBHASH.M		-	-				
TOLERANCES UNLESS OTHERWISE SPECIFIED:	CHK	08-JAN-09	Tyco Electronics Corporation Dorcan, Swindon, SN3 5HH					
0 PLC ±0.2	ALLAN.P							
1 PLC ±0.1	APVD	08-JAN-09	NAME WIRE WOUND SPINDLE OPERATED POTENTIOMETER SERIES TW					
2 PLC ±	STEPHEN.P							
3 PLC ±	PRODUCT SPEC	-	SIZE	CAGE CODE	DRAWING NO	RESTRICTED TO		
4 PLC ±	APPLICATION SPEC	-	A 4	00779	C-1676979	-		
ANGLES ±5°	WEIGHT	-	CUSTOMER DRAWING		SCALE	SHEET	OF	REV
					2:1	1	1	A