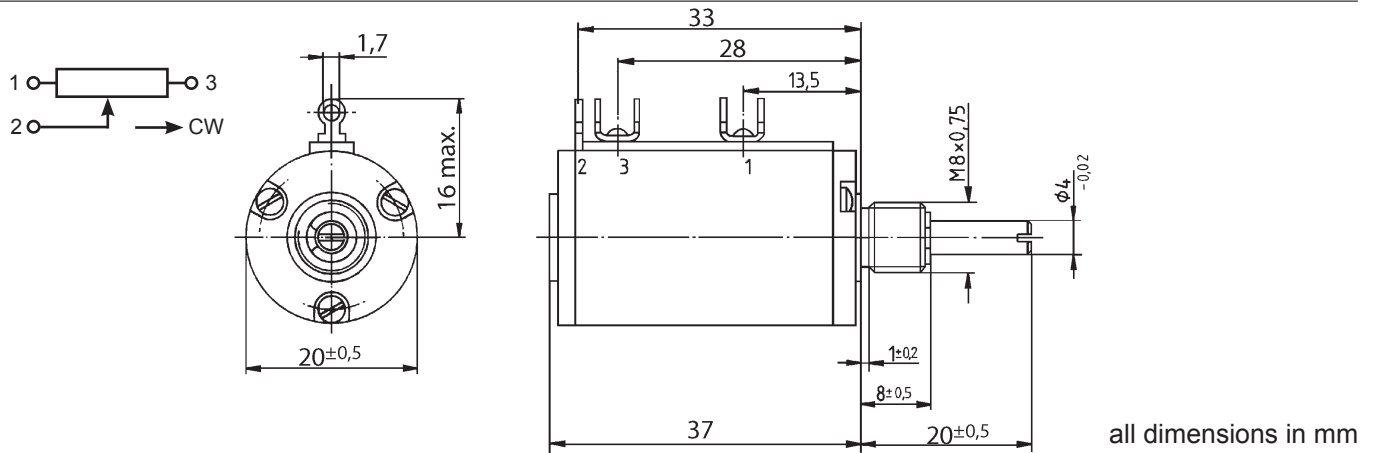


# PMCM1000-.. ODPOWIEDNIK

## 7/8" (22 mm) 2 Watt High Resolution Potentiometer Bushing Mount, Wirewound

- Wirewound, metric size
- Electrical angle 1800° or 3600°
- 2 Watt power dissipation
- High mechanical and electrical resolution



all dimensions in mm

### ELECTRICAL CHARACTERISTICS

Resistance element	Wirewound
Standard resistance values (Ω)	100, 200, 500, 1k, 2k, 5k, 10k, 20k, 50k
Standard resistance tolerance (%)	(typ. IEC 60393) ± 5
Standard linearity tolerance (%)	(typ. IEC 60393) ± 1
Type of linearity	Independent linearity
Power rating (+40°C)	2 Watt
Electrical travel	3600° ± 10°
End resistance	0,5% or 10 ohm
Insulation resistance	500 MOhm at 500 VDC
Dielectric strength	500 VAC

### MATERIAL

Housing	glass filled thermoset plastic
Shaft	brass, nickel plated
Terminals	brass, tin plated
Bushing	brass, nickel plated

### MECHANICAL CHARACTERISTICS

Mechanical turns	5, 10
Mechanical angle	1800° ± 15° (5 turns), 3600° ± 15° (10 turns)
Torque starting (Ncm)	<1
Rotational life (shaft revolutions)	(typ. IEC 60393) 100.000
Bearing type	sleeve
Operating temperature (°C)	-35°C to +85°C

### ACCESSORIES



### PMMG20-22B-4 (option)

Turns	10
Dial divisions	50 / turn
Locking	locking brake
Front panel	2mm - 6mm
Shaft Ø	4mm
Fixing	collet
Material	metal body/plastics

**Application:** This high resolution wirewound potentiometer is suitable for purposes, where the resolution of single turn potentiometers does not fulfil the requirements. The R22M comes in a rugged construction and a very reasonable price. Together with our multiturn dials it is an economical solution for many industrial applications.

### ORDERING INFORMATION

Detailed information: [www.megauto.de/rotaset](http://www.megauto.de/rotaset)

PMCM1000	10k odpowiednik	10	L1%	/		
Typ	Ω	Turns	Linearity	Special Angle	Special Shaft	Options

Please note: The specification and information in this datasheet cannot consider all special demands that are caused by the application. Because of this, they are no general description of the properties of the product. Megauto does not assume any responsibility for damages due to improper application of our products. The user has to ensure by its own, that the products used are suitable for his application. Megauto does not warrant the reproducibility of published applications.