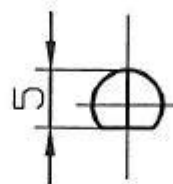
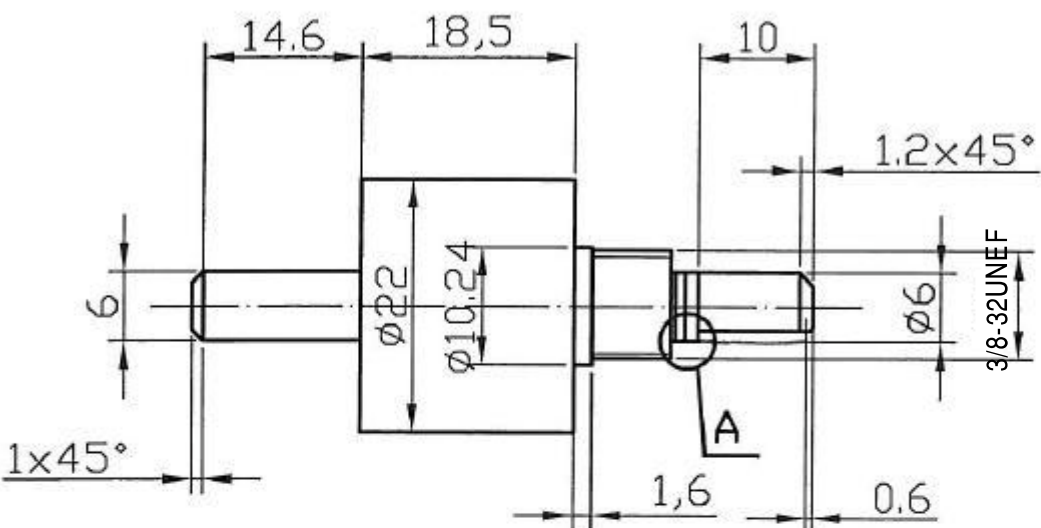


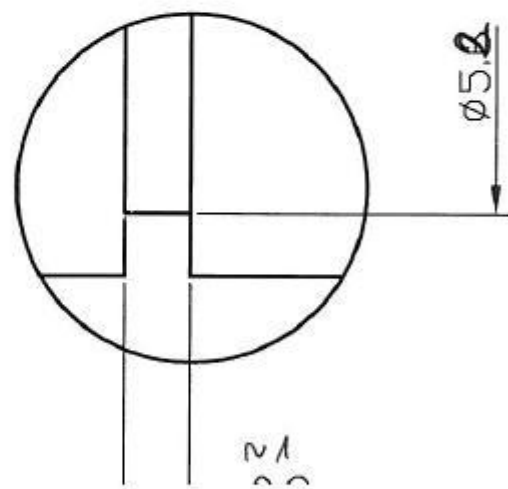
Potencjometr 5-obrotowy

2k Ω 5%

Lin. 0.25%



A



PM22HPM-5-RS-FL-2K (05441)



● Standard Model Nos.

5-turn models:

- 22HP-5 22HP-5M
- 22HP-5E 22HP-5N

10-turn models:

- 22HP-10 22HP-10M
- 22HP-10E 22HP-10N

(Note: Please select the exact model number from the right-side table, because each model number has different shaft dia. and bushing dimensions.)

● Standard Dimensions

| Model No. | Shaft Dimensions | | Mounting Screw | Anti-rotation |
|-----------|------------------|------|----------------|---------------|
| | d1 | L | | |
| 22HP-10 | φ 6 | 20.6 | 3/8-32UNEF | Yes |
| 22HP-10M | φ 6 | 25.0 | M9 P=0.75 | No |
| 22HP-10E | φ 6.35 | 20.6 | 3/8-32UNEF | Yes |
| 22HP-10N | φ 6 | 20.6 | M9 P=0.75 | No |

Note: 1. 1 pc. each inner teeth washer and hex nut are attached.
 2. Outer dimensions of 5-turn version are same as those of 10-turn.
 3. Housing length of 2 ganged version is extended by 19mm.
 4. Please process the mounting hole on the panel to be mounted with this potentiometer by the diameter of 10.32mm^{+0.05}₀.

● General Specifications

Standard Resistance

Range: 100Ω to 50kΩ (5-turn)
 100Ω to 100kΩ (10-turn)

Total Resistance

Tolerance: Standard Class ±5% (J)
 Precision Class ±1% (F)

Independent Linearity

Tolerance: 5-turn 10-turn
 Standard Class ±0.3% ±0.25%
 Precision Class ±0.2% ±0.1%
 (Within 5kΩ) (±0.25%) (±0.15%)

Power Rating:

1.0W (5-turn)
 2.0W (10-turn)

Noise:

Within 100Ω E.N.R.

Electrical Travel:

360° × n ± 5° (n: No. of turns)

Mechanical Travel:

360° × n^{+10°}_{0°} (n: No. of turns)

Insulation Resistance:

Over 1,000MΩ at 500V.D.C.

Dielectric Strength:

1 minute at 1,000V.A.C.

Starting Torque:

Within 10mN·m (100gf·cm)

Stopper Strength:

Approx. 0.35N·m (3.5kgf·cm)

Max. Working Voltage: 250V

Resist. Temperature

Coefficient of Wire: ±20p.p.m./°C

Materials:

- Shaft: Stainless steel
- Housing case: Glass-filled nylon
- Bushing: Glass-filled nylon
(For ganged version, the bushing is metal-brass without plating.)
- Terminals: Gold-plated brass
(All terminals can be fitted with the AMP 110 series faston receptacle (2.8× 0.5mm) or equivalents.)

Max. Torque exerted on fastening the mounting nut to the bushing:

Within 1.0N·m (10kgf·cm)
 (In case of panel thickness with over 2.5mm., the rotating torque may become heavier.)

Mass:

Approx. 20g (Both 5-turn and 10-turn)

● Standard Resistance Values ■ No. of Wire Turns ■ Resistance Wire Used

| Resist. Value (Ω) | 100 | 200 | 500 | 1k | 2k | 5k | 10k | 20k | 50k | 100k |
|-------------------|--------------|-------|-------|-------|-------|--------------|-------|-------|--------|--------|
| 22HP-5 | 1,240 | 1,560 | 2,000 | 2,510 | 2,400 | 3,200 | 3,900 | 4,800 | 5,500 | — |
| 22HP-10 | 2,100 | 2,480 | 3,300 | 4,000 | 5,020 | 5,000 | 6,400 | 7,800 | 10,100 | 11,000 |
| Resist. Wire Used | Cu-Ni System | | | | | Ni-Cr System | | | | |

● Special Specifications Available

Rear shaft (6mm dia. and 15mm length), Multi-ganged (Available up to 10 gangs), High torque, Special shaft dia. (φ 3mm, φ 3.175mm, φ 4mm, φ 5mm), Special machining on the shaft, Plastic shaft, Metal bushing (22HPM-n with anti-rotation pin), 1, 2, 3, 4, 6, 7 and 8-turn versions are available (These versions have same outer dimensions, but general specifications are different each other, so please ask us for details), Simple sealed housing, Slipping-clutch incorporated type (20mN·m~60mN·m), Extra taps (Available up to 1 tap only for 10-turn model), Servomount type (Same dimensions as 22HHPS-10).