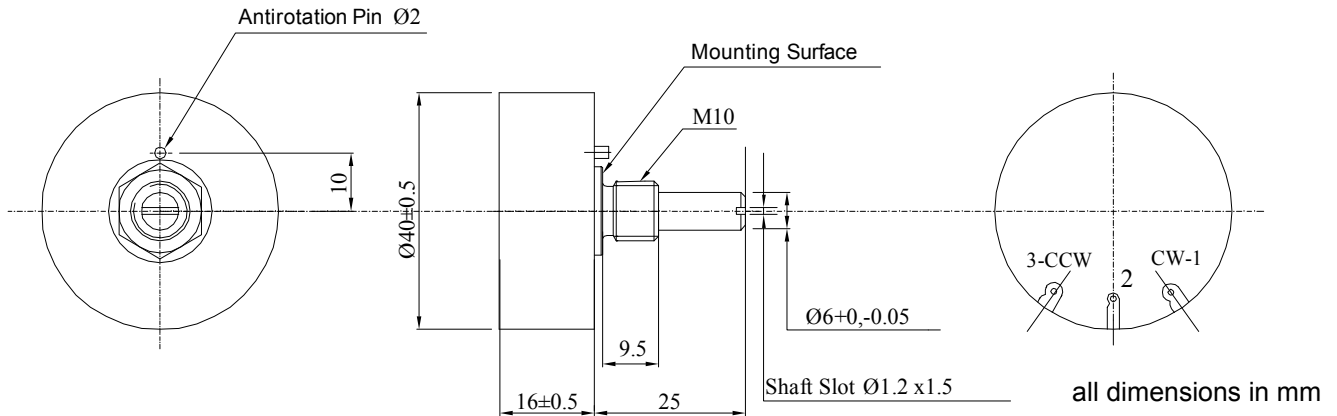


5/8" (40 mm) 3 Watt Industrial Single Turn, Bushing Mount, Wirewound

- MUP1400 with endstop / MUP1425 360° without stop
- Metric size
- Electrical angle 270°
- 3 Watt power dissipation
- Special operating torque



ELECTRICAL CHARACTERISTICS

Resistance element	Wirewound
Standard resistance values (Ω)	100, 500, 1k, 2k, 5k, 10k
Standard resistance tolerance (%)	(typ. IEC 60393) ± 10
Standard linearity tolerance (%)	(typ. IEC 60393) ± 1
Type of linearity	Independent linearity
Power rating (+70°C)	3 Watt
Electrical travel	270° ± 5° (MUP1425) 270° ± 5° with endstop (MUP1400)
Insulation resistance	1000 MOhm at 500 VDC
Dielectric strength	500 VAC
Noise	<100 Ohm ENR

RESOLUTION

Value (Ω)	Turns	Resolution
50	211	0,47
100	231	0,43
200	270	0,37
500	399	0,25
1k	511	0,20
2k	464	0,22
5k	652	0,15
10k	908	0,11
20k	1161	0,09

MECHANICAL CHARACTERISTICS

Mechanical angle (MUP1425)	360° continuous
Mechanical angle (MUP1400)	285° ±5 with endstop
Torque starting (Ncm)	1,5
Torque running (Ncm)	1
Rotational life (shaft revolutions)	(typ. IEC 60393) 100.000
Bearing type	sleeve
Operating temperature (°C)	-50°C to +85°C

MATERIAL

Housing	glass filled thermoset plastic
Shaft	stainless steel
Terminals	brass, gold plated
Bushing	brass

OPTIONS

Special resistance value
Special angle (A)
IP65 protection (IP65)
Special shaft length up to 30 mm (SL)
Special torque (on request)
With output cable and connector (CC)

Application: MUP14XX are semi-precision potentiometers for universal use. They are available with different options and provide a very good resolution and rotational life. They are suitable for most of industrial purposes.

ORDERING INFORMATION

Detailed information: www.megauto.de/rotaset

MUP1425	10k	C	L5%	A180	SL30mm	IP65-CC
Typ	Ω	continuous (C)	Linearity	Special Angle	Shaft Length	Options

Please note: The specification and information in this datasheet cannot consider all special demands that are caused by the application. Because of this, they are no general description of the properties of the product. Megauto does not assume any responsibility for damages due to improper application of our products. The user has to ensure by its own, that the products used are suitable for his application. Megauto does not warrant the reproducibility of published applications.