

Conductive Plastic Linear Sensor

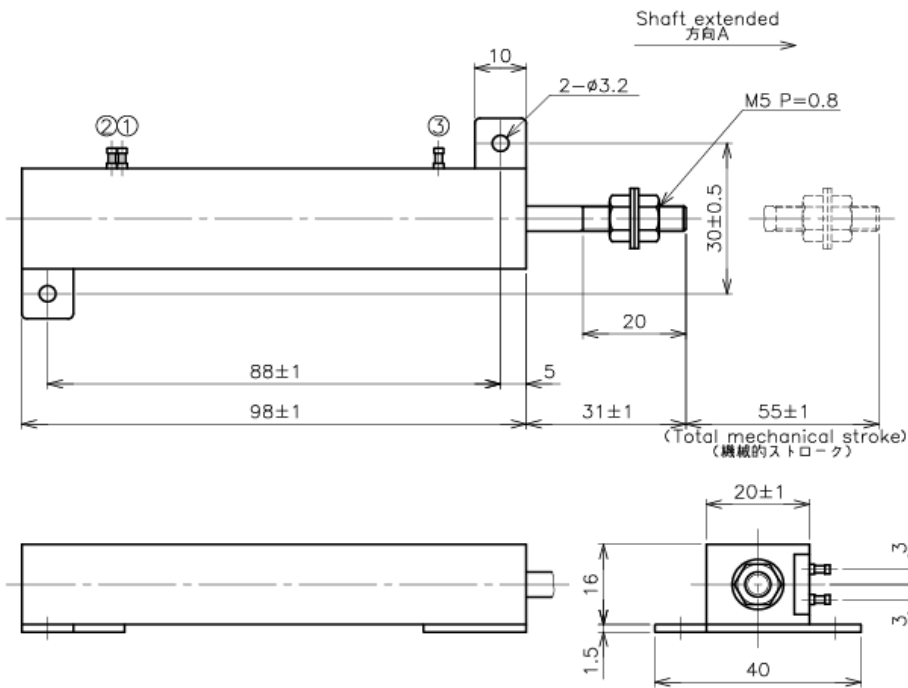
LP-50F Series - LP-50F, LP-50FB



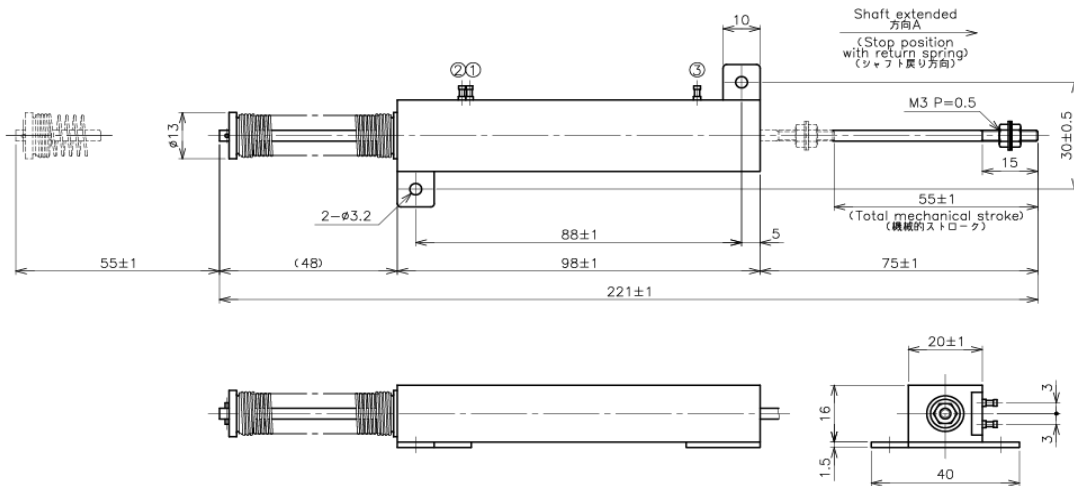
- Conductive Plastic Linear Sensor
- Effective Electrical Travel : 50mm±0.5mm
- Independent Linearity : ±0.5%
- Return Spring(LP-50FB)
- 【Option】
- Independent Linearity : ±0.2%
- 【Material】
- Housing : Aluminum
- Shaft : Stainless Steel
- Bearing : Copper alloy

■Dimension [mm]

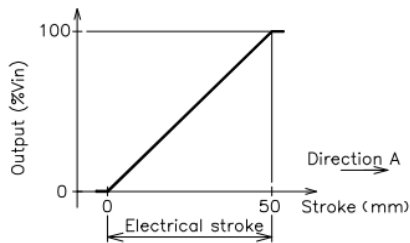
LP-50F



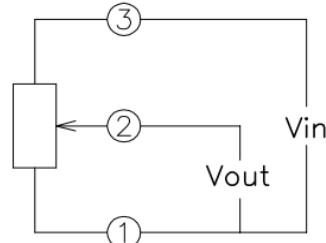
LP-50FB



Output Characteristics

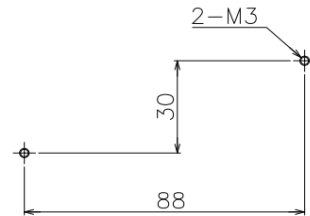


Schematic



• ①, ②, ③: Terminal No.

Mounting



【Model No.】	LP-50F	LP-50FB
-------------	--------	---------

【Electrical Data】

Effective Electrical Travel	50±0.5	mm
Total Resistance	1, 2, 5, 10	kΩ
Total Resistance Tolerance	±20	%
Independent Linearity	±0.5	%
Power Rating	1.5/70°C	W
Output Smoothness	MAX. 0.1	%
Insulation Resistance	MIN. 100 / DC 500V	MΩ
Dielectric Strength	AC500 / 1 Minute	V
TC of Resistance	±400	ppm/K

【Mechanical Data】

Total Mechanical Stroke	55±1	mm
Friction	MAX. 0.5	MAX. 2.7(Spring Strength) N
Mass	75 Approx.	g

【Environmental Data】

Life	MIN. 5 Million	Cycle
Category Temperature Range	-40~+100	°C
Storage Temperature Range	-40~+100	°C
Vibration	100m/s ² 500Hz 3axis 2hours each	
Shock	500m/s ² 11ms 6directions 3times	

Accessories

M5 Nut, Plain washers 2 pieces each
(LP-50FB M3 Nut, Plain washers) 2 pieces each

Handling Instruction

To avoid burnout of resistive element, do not supply 1mA Min. current to terminal 2.