

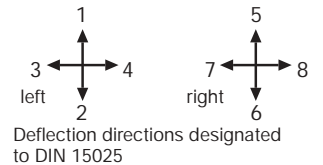
The multi-axis controller V5 is a rugged switching device according IEC 947-5-1 EN 60947 DIN VDE 0660-200 for hoisting applications. The modular design enables the switching device to be used universally. The V5 is resistant to oil, maritime climate ozone and UV radiation.

Contact complement 2 A 250 V AC 15 res. 3 A 24 V DC 13

Mechanical life 6 million (operating cycles)
Permissible ambient temperature Operation -40° C to + 60° C
Storage -50° C to + 80° C

Climate resistance
Damp heat constant DIN IEC 68 part 2-3
Damp heat cyclic DIN IEC 68 part 2-30
Degree of protection front IP 54 IEC 529 DIN 40050
Technical data look catalog 5/100

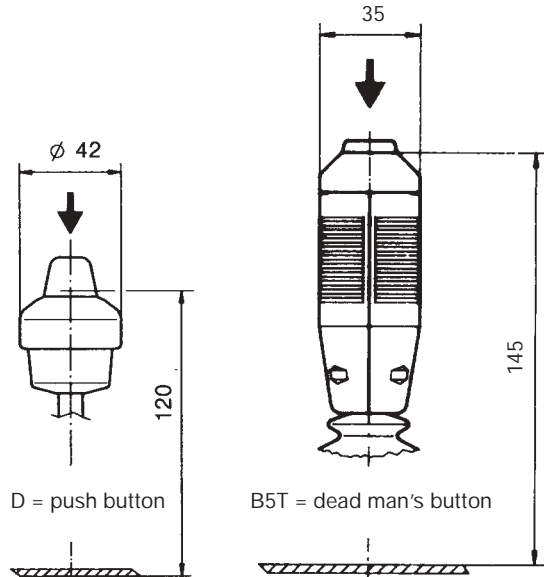
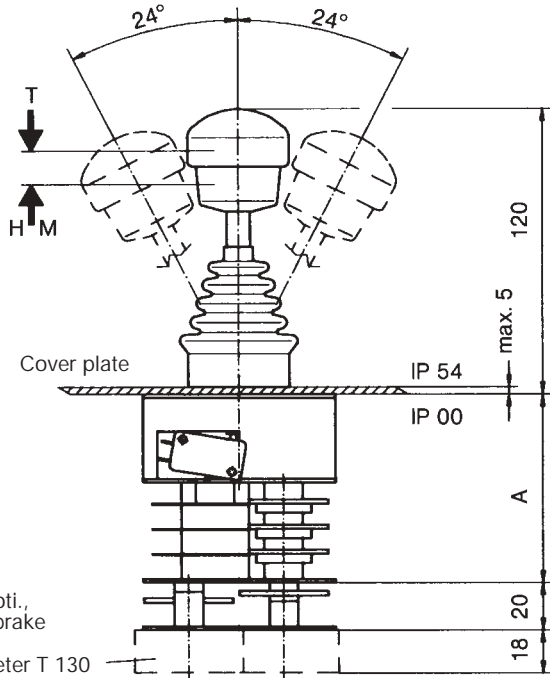
Spindle block with schematic representation of the master controller installation and deflection directions. Version shown for Left-hand side installation (right-hand side installation is mirror image).



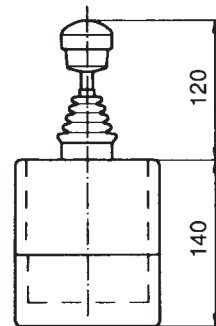
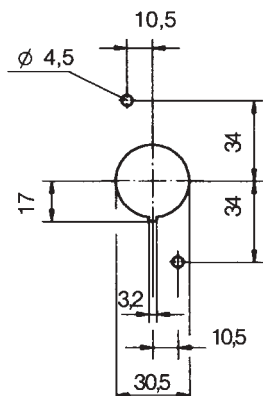
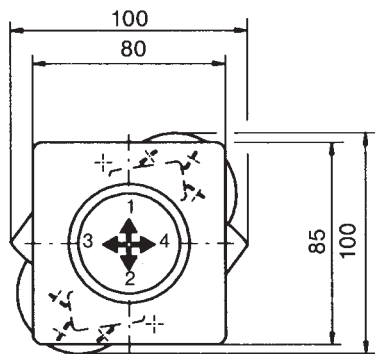
Pos.	V 51	V 5	Type	Weight gramm	Price EURO
1			V 51	400	
2					
3			V 5	500	
4					
5					
10	Gate cross-shaped	(prohibits diagonal shifting)	P	50	
11	Gate special-shaped	(for e. H-gate)	P	50	
12	Spring return in 0-position	(for each direction)	Z	25	
13	Friktion brake	(for each direction)	R	30	
14					
20	Control-handle with knob solid				
21	Control-handle with latch for mechanical zero interlock		M	50	
22	Control-handle with dead man's button 1 NO		T	50	
23	Control-handle with signal button 1 NO		H	50	
24	Control-handle with push button 1 NO		D	60	
25	Control-handle with flat push button 1 NO		DV	60	
26	Control handle with palm grip B 5		B 5	40	
27	Control handle with palm grip B 5 with push button top 1 NO		B 5T	60	
28	Control handle long or short 140, 100 mm				
29	More knobs, grips and T-grips with and without signal devices look catalog 1/280...				
30	Masterswitch switching sequence 3-0-3	No. of contacts 1	1	150	
31		2	2	160	
32	Direction 1-2 and 3-4 each 1 masterswitch	3	3	170	
33	Switching program according contact-arrangement MS... look catalog 5/001	4	4	180	
34	or to your contact-arrangement	5	5	190	
35		6	6	200	
36	Switching sequence 4-0-4				
37	Micro changeover contact (MZT 1) positive opening (additional price)	1			
40	Potentiometer e.t.c. each masterswitch with mounted Wire-wound potentiometer T 130, with centre tap linear Life 10 ⁷ switching cycle resistance 2 x 0,5/1/2/5/10 kOhm, 1,5 Watt wiper current max. 10 mA		P	70	
41	Prepared for mounting potentiometer shaft 6 mm adjusting-angle 2 x 150°		(P)		
42	Prepared for mounting potentiometer e.t.c. adjusting-angle variable.		(P)		
43	more Potentiometer e.t.c. look catalog 1/240...				
50	Plastic housing I 120 x 160, masterswitch max. size 6		I	600	
51					
52	More housing look catalog 1/250				
60	Indicating labels not engraved with 2 or 4 arrows				
61	Engraved each 10 characters				
62					
70	Command and indicating devices look catalog 1/260				



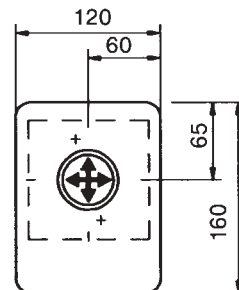
T = dead man's button
H = signal button
M = latch for mechanical zero interlock



Type	No. of contacts	Dimension A
1	1	58
2	2	69
3	3	79
4	4	90
5	5	100
6	6	111



Plastic housing



Hole pattern

Example for type-sign

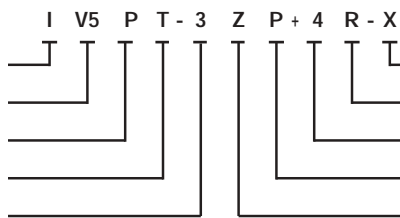
Plastic housing

Multi-axis controller

Gate

Dead man's button

Masterswitch direction 1-2



Special please to describe

Friction brake direction 3-4

Masterswitch direction 3-4

Potentiometer e.t.c. direction 1-2

Spring return direction 1-2