

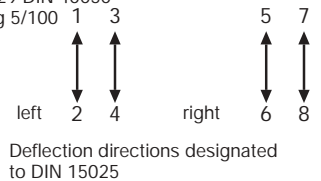
The double-handle controller D 8 is a rugged switching device according IEC 947-5-1 EN 60947 DIN VDE 0660-200 for electro-hydraulic applications. The modular design enables the switching device to be used universally. The D 8 is resistant to oil, maritime climate ozone and UV radiation.

Contact complement 0,5 A 110 V AC 15 res. 1,5 A 24 V DC 13
I min > 0,2 mA 2 V DC 12 Gold plated for max. load of 0,12 Watt (standard)
or I max < 300 mA 0,4 V DC 12 max. capacity 0,12 Watt do not exceed!
I min > 0,2 mA 2 V DC 12 max. contact reliability for very low current (special)

Mechanical life 8 million (operating cycles)
 Permissible ambient temperature Operation -40° C to + 60° C
 Storage -50° C to + 80° C

Climate resistance
 Damp heat constant DIN IEC 68 part 2-3
 Damp heat cyclic DIN IEC 68 part 2-30
 Degree of protection front IP 54 IEC 529 DIN 40050
 Technical data look catalog 5/100

Spindle block with schematic representation of the master controller installation and deflection directions. Version shown for Left-hand side installation (right-hand side installation is mirror image).



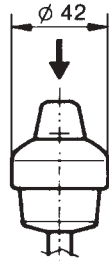
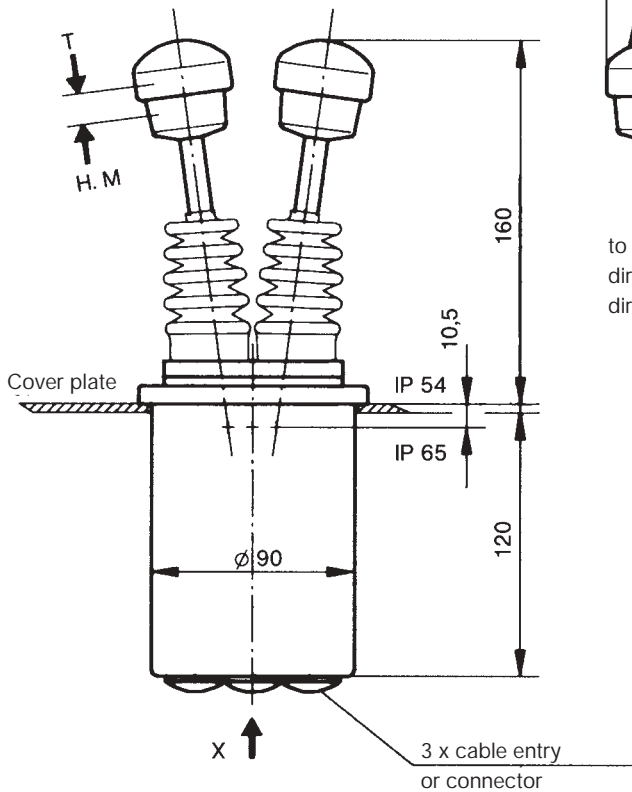
Pos.	D 8	Type	Weight gramm	Price EURO
1		D 8	1000	
2				
3				
4				
5				
10	Spring return in 0-position (for each direction)	Z	30	
11				
12				
13				
14	Friktion brake (for each direction)	R	30	
20	Control-handle with knob solid (for each direction)	M	50	
21				
22				
23				
24				
25				
26				
27				
28				
29				
30	Masterswitch switching sequence -0- No. of contacts 1	1	20	
31				
32				
33				
34				
35				
36	Switching sequence 3-0-3	3	60	
40	Potentiometer e.t.c. each masterswitch with mounted Conductive-plastic-potentiometer T 301, with centre tap linear Life 10 ⁷ switching cycles resistance 2 x 5 kOhm, 0,5 Watt wiper current max. 1 mA	P	70	
41				
42				
43				
44	Mechanical Encoder with mounted direction 1-2 and 3-4 each 1 Encoder life 5 x 10 ⁶ switching cycles, 0,5 Watt wiper current max. 1 mA			
50	Mechanical Encoder MEC 3-1 male connector EA/14-10 contact-arrangement MS 21-0 look catalog 5/001 Conductive-plastic-potentiometer with centre tap linear resistance 2 x 2 kOhm and 2 x 5 kOhm	P	20	
51				
52				
53				
54				
55				
56				
60	Indicating labels not engraved with 2 or 4 arrows			
61				



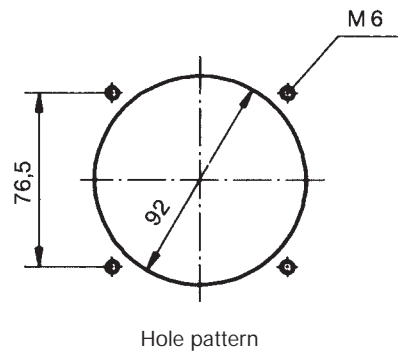
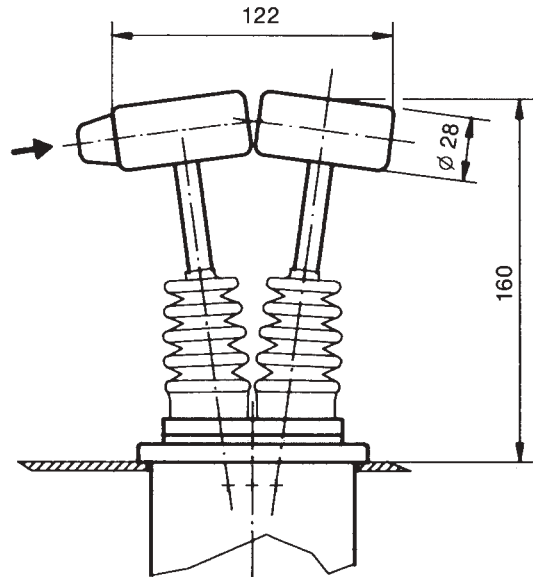
T = dead man's button
H = signal button
M = latch for mechanical zero interlock

Knob solid
D = push button

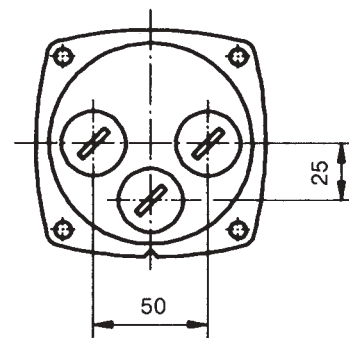
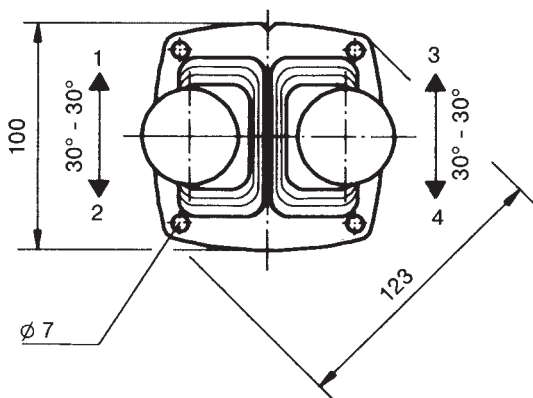
T-grip
D = push button



to build in:
direction 1-2
direction 3-4



Hole pattern



view x

Example for type-sign

Cover housing

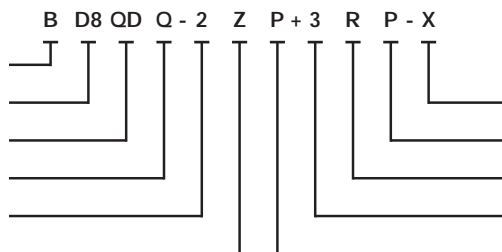
Double-handle controller

T-grip with push button direction 1-2

T-grip direction 3-4

Masterswitch direction 1-2

Spring return direction 1-2



Special please to describe

Potentiometer e.t.c. direction 3-4

Friction brake direction 3-4

Masterswitch direction 3-4

Potentiometer e.t.c. direction 1-2