

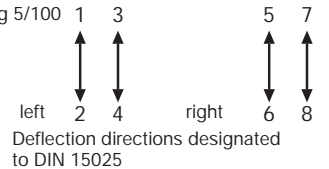
The double-handle controller is a rugged switching device according IEC 947-5-1 EN 60947 DIN VDE 0660-200 for hoisting applications. The modular design enables the switching device to be used universally. The D 64 is resistant to oil, maritime climate ozone and UV radiation.

Contact complement 2 A 250 V AC 15 res. 1 A 24 V DC 13 (standard)
or 4 A 250 V AC 15 (special)

Mechanical Life D 64 10 million (operating cycles)
Mechanical Life DD 64 20 million (operating cycles)
Permissible ambient temperature Operation -40° C to + 60° C
Storage -50° C to + 80° C

Climate resistance
Damp heat constant DIN IEC 68 part 2-3
Damp heat cyclic DIN IEC 68 part 2-30
Degree of protection front IP 54 IEC 529 DIN 40050
Technical data look catalog 5/100

Spindle block with schematic representation of the master controller installation and deflection directions. Version shown for Left-hand side installation (right-hand side installation is mirror image).



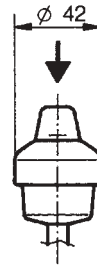
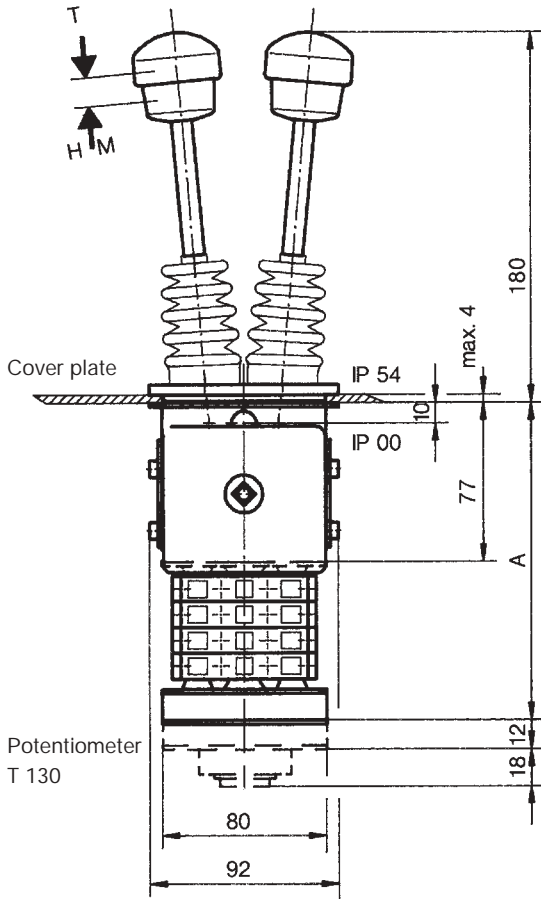
Pos.	D 64	DD 64	Type	Weight gramm	Price EURO
1					
2					
3			D 64	1100	
4			DD 64	1100	
5					
10					
11					
12	Spring return in 0-position	(for each direction)	Z	110	
13	Friktion brake	(for each direction)	R	30	
14					
20	Control-handle with knob solid				
21	Control-handle with latch for mechanical zero interlock				
22	Control-handle with dead man's button 1 NO				
23	Control-handle with signal button 1 NO				
24	Control-handle with push button 1 NO				
25	Control-handle with flat push button 1 NO				
26	Control-handle with T-grip				
27	Control-handle with T-grip and push button side 1 NO				
28	Control handle long or short 160, 200 mm				
29	More knobs, grips and T-grips with and without signal devices look catalog 1/280...				
30	Masterswitch switching sequence 4-0-4	No. of contacts 2	01	290	
31		4	02	350	
32	Direction 1-2 and 3-4 each 1 masterswitch	6	03	410	
33	Switching program according contact-arrangement MS... look catalog 5/001	8	04	470	
34	or to your contact-arrangement	10	05	530	
35		12	06	590	
36	Switching sequence 5-0-5 or 6-0-6				
40	Potentiometer e.t.c. each masterswitch with mounted Wire-wound potentiometer T 130, with centre tap linear Life 10 ⁷ switching cycle resistance 2 x 0,5/1/2/5/10 kOhm, 1,5 Watt wiper current max. 10 mA		P	70	
41	Prepared for mounting potentiometer shaft 6 mm adjusting-angle 2 x 150°		(P)		
42	Prepared for mounting potentiometer e.t.c. adjusting-angle variable.		(P)		
43	more Potentiometer e.t.c. look catalog 1/240...				
50					
51					
52	More housing look catalog 1/250				
60	Indicating labels not engraved with 2 or 4 arrows				
61	Engraved each 10 characters				
62					
70	Command and indicating devices look catalog 1/260				



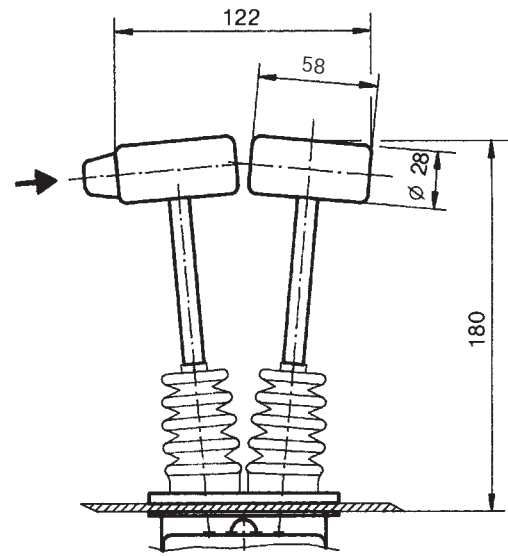
T = dead man's button
H = signal button
M = latch for mechanical zero interlock

Knob solid
D = -push button

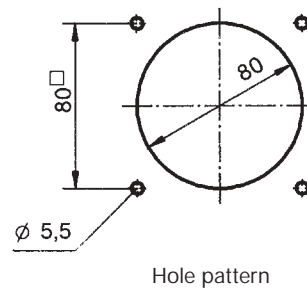
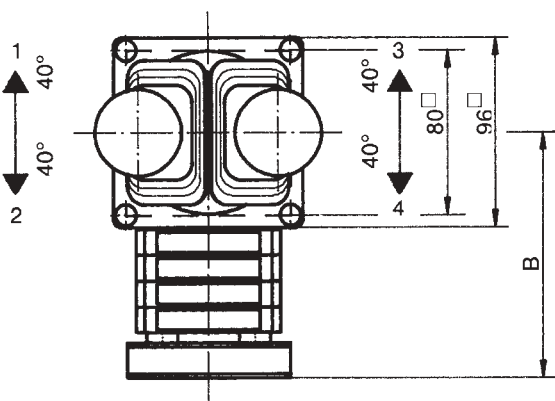
T-grip
D = -push button



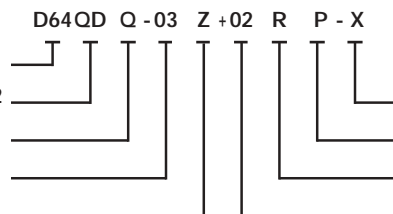
to build in:
direction 1-2
direction 3-4



Type	No. of contacts	Dimension A	Dimension B
01	2	119	82
02	4	131	94
03	6	144	107
04	8	156	119
05	10	169	132
06	12	181	144



Example for type-sign
Double-handle controller
T-grip with push button direction 1-2
T-grip direction 3-4
Masterswitch direction 1-2
Spring return direction 1-2



Special please to describe
Potentiometer e.t.c. direction 3-4
Spring return direction 3-4
Masterswitch direction 3-4