

ELECTRICAL SPECIFICATIONS

- APPLIED VOLTAGE----- 5V D.C
- CENTER VOLTAGE----- 2.5V D.C
- SUPPLY CURRENT----- 6mA MAX/AXIS
- OUTPUT CURRENT----- 2mA MAX/AXIS
- EFFECTIVE OUTPUT ----- 0V TO 5.0V DC
- OUTPUT TOLERANCE----- ±2%
- LOAD RESISTANCE----- 1000 OHMS MIN.

MECHANICAL

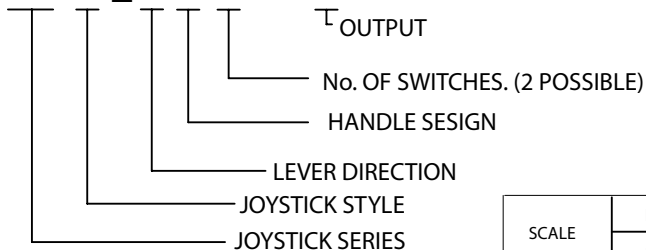
- RANGE OF OPERATING LEVER----- ±18° BI-DIRECTIONAL FROM CENTER.
- OPERATING FORCE FOR X , Y AND Z DIR.----- APPROX. 0.151Nm
- OPERATING TEMPERATURE----- -40° TO +85°C
- LIFE EXPECTANCY----- 3 MILLION OPERATIONS

WIRING

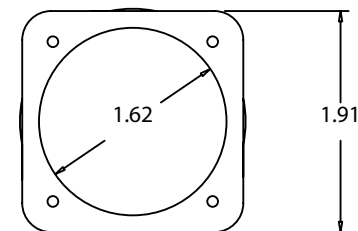
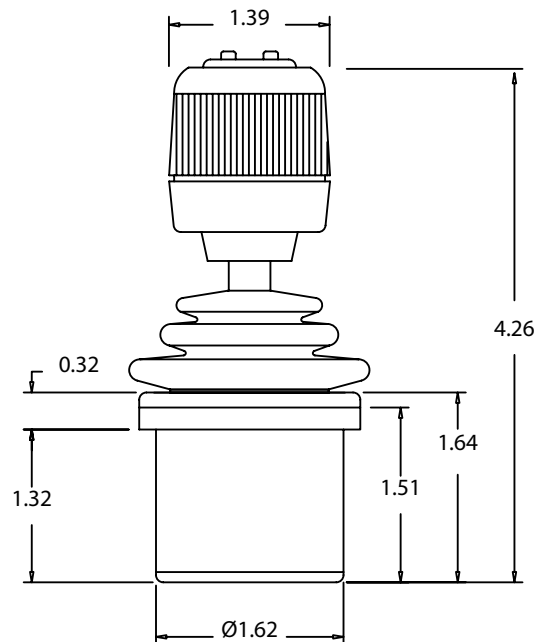
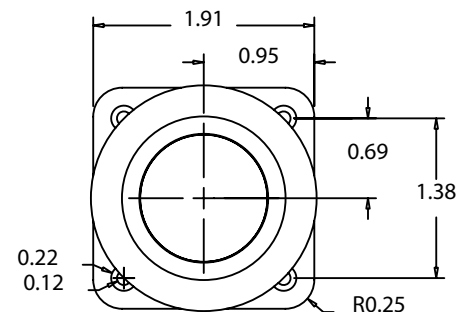
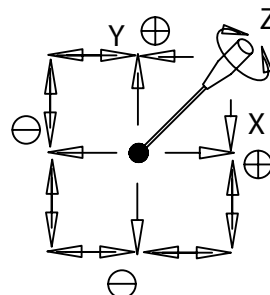
USB 1.1 4.00V - 5.25V @ 25mA MAX

NOMENCLATURE

JHE13_KC 2 ZU USB



"K" LEVER OPERATION



SCALE	DATE:	2-17-07
	BY	AT
NONE	APPRV'D	
CODE IDENT:		19477



TITLE

JOYSTICK

PART NO.

JHE13_KC2 ZU USB