

Single-axis controller S23



The single-axis controller S23 is a robust switching device for shipbuilding and electro-hydraulic applications. The modular design of the switching device is universally applicable. The single-axis controller is resistant to oil, maritime conditions e.g. offshore / vessels, UV radiation typically from the sun.

Technical data

Mechanical life S23	6 million operating cycles
Operating temperature	-40°C til +60°C
Degree of protection	IP65

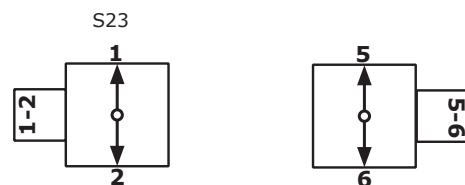


Example

	S23L	S5	M	- 3 Z P	- A050 P134	- X
Basic unit	S23L left					
Control-handle extended	S5 -20mm					
Grip / palm grip	M Mechanical zero interlock					
Axis 1 (direction 1-2)	3 3 contacts (2A 250V AC15)					
	Z Spring return					
	P Potentiometer					
Description axis 1 (direction 1-2)	A050 Arrangement MSP21-0					
	P134 Potentiometer T396 2x5kOhm					
Special model	X Special / customer-specific					

	S23L	S5	M	- 3 Z P	- A050 P134	- X
Basic unit	S23L left S23R right					
Control-handle extended	Standard 140mm S5 -20mm S8 +20mm					

Identification of the installation variants
with switching directions:



Single-axis controller S23

S23L S5 M - 3 Z P - A050 P134 - X

Grip / palm grip

	Knob (standard)
M	Mechanical zero interlock
Q	T-grip
QM	T-grip with mechanical zero interlock

S23L S5 M - 3 Z P - A050 P134 - X

Axis 1: direction 1-2 left / direction 5-6 right

1	1 contact	Standard contact - arrangement see page 112		
2	2 contacts	z.B.		
3	3 contacts	A98	MS0	
4	4 contacts	A05	MS21	
		A0500	MS21-00	
		<i>A99 contact - arrangement according customer request</i>		
Z	Spring return			
R	Friction brake			
(P)	Possibility of mounting potentiometer and encoder (Gessmann-types)			
P	Potentiometer	P131	T396 2x0,5kOhm	I max. 1mA
		P132	T396 2x1kOhm	I max. 1mA
		P133	T396 2x2kOhm	I max. 1mA
		P134	T396 2x5kOhm	I max. 1mA
		P135	T396 2x10kOhm	I max. 1mA
		<i>More potentiometer on request!</i>		
C	Encoder	C... Encoder see page 119		

S23L S5 M - 3 Z P - A050 P134 - X

Special model

X	Special / customer-specific
---	-----------------------------

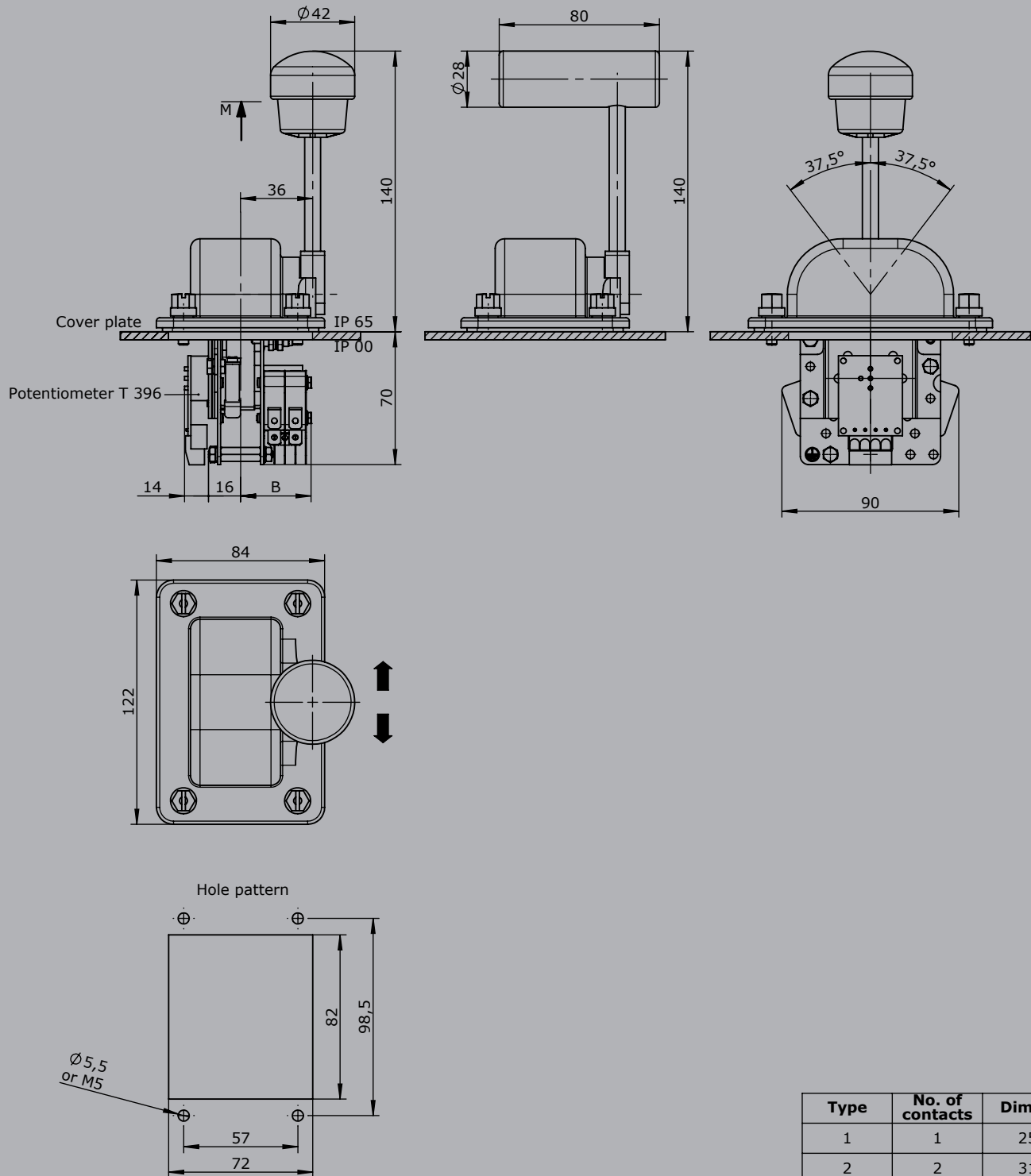
1

Single-axis controller S23

1

M = Latch for mechanical zero interlock

T - grip



Type	No. of contacts	Dim. B
1	1	25
2	2	31
3	3	36
4	4	42