

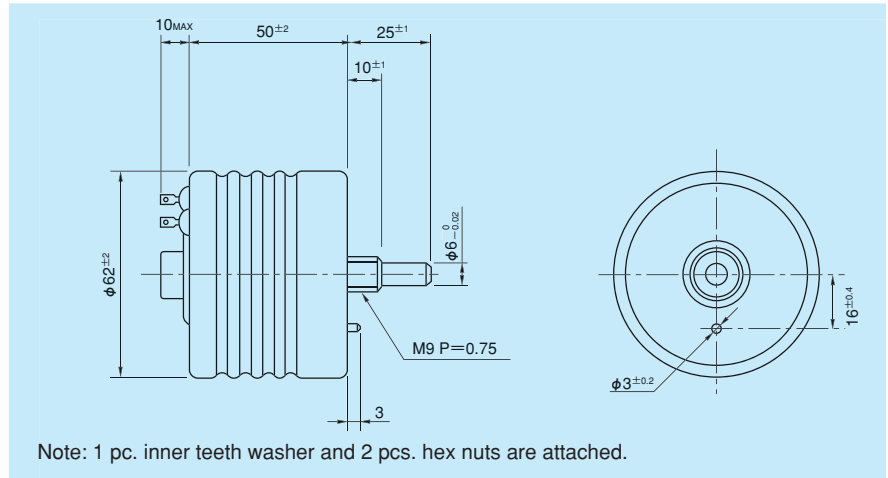
# MODEL OF50

● Wirewound ● Bushingmount ● RoHS Compliant

## ● Standard Dimensions



Model OF50



Note: 1 pc. inner teeth washer and 2 pcs. hex nuts are attached.

## ● General Specifications

Standard Resistance Range	100Ω to 20kΩ
Max. Practical Resistance	50kΩ
Total Resistance Tolerance	Standard Class ±10% (K) Precision Class ±5% (J)
Independent Linearity Tolerance	Standard Class ±1.0% Precision Class ±0.5%
Power Rating	5.0W
Noise	Within 100Ω E.N.R.

Electrical Travel	280° ±5°
Mechanical Travel	300° ±5°
Insulation Resistance	Over 100MΩ at 1,000V.D.C.
Dielectric Strength	1 minute at 1,000V.A.C.
Starting Torque	Within 30mN · m (300gf · cm)
Stopper Strength	Approx. 0.9N · m (9kgf · cm)
Resistance Temperature Coefficient	±20p.p.m./°C
Mass	Approx. 300g

## ● Standard Resistance Values ■ No. of Wire Turns ■ Resistance Wire Used

Resist. Value (Ω)	100	200	500	1k	2k	5k	10k	20k	※ 50k
No. of Wire Turns	260	320	370	420	550	650	900	1,000	1,200
Resist. Wire Used	Cu-Ni System					Ni-Cr System			

Note: Mark ※ shows special high resistance value.

## ● Special Specifications Available

(In case of the potentiometer with special specifications, the general specifications and environmental specifications may change. Please consult us in advance.)

- Extra tap (Available up to 1 tap)
- Multi-ganged (Available up to 2 gangs. Please note that mounting method is changed from bushingmount to screw-mounting)
- Special electrical travel      ● Shaft dia. (φ 6.35mm) & bushing with inch dimension
- Special machining on the shaft      ● Without stopper (electrical travel remains 280° ± 5° )
- Shaft with front and rear extension (Rear shaft with 6mm dia. and 25mm length)