



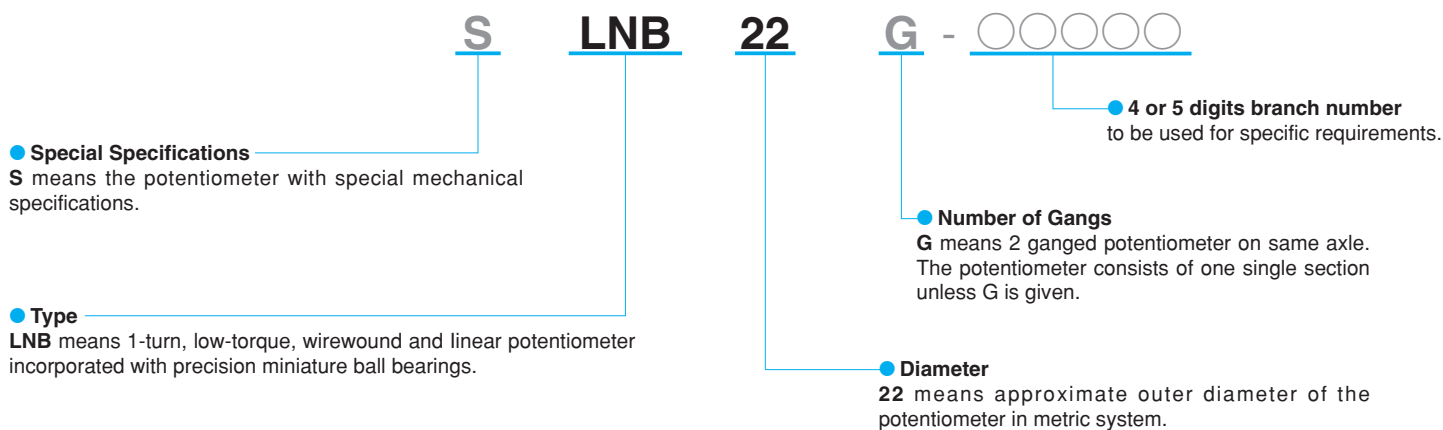
LOW-TORQUE POTENTIOMETER

(Precision 1-turn, Low-torque, Wirewound Element)

SAKAE Low-torque Potentiometers with a wirewound resistive element are very small in size and light in weight, It offers a very low starting torque of below 0.1mN · m (1gf · cm) in Model LNB22. Electrical detection of inclination,

vibration, etc. is easily possible by installing these potentiometers on float, bellows, etc. These models are only available with wirewound resistive element as standard version.

THE NOMENCLATURE OF SAKAE LOW TORQUE POT.



1-Turn
▶ Contact type
▶ Wirewound

MODEL LNB22

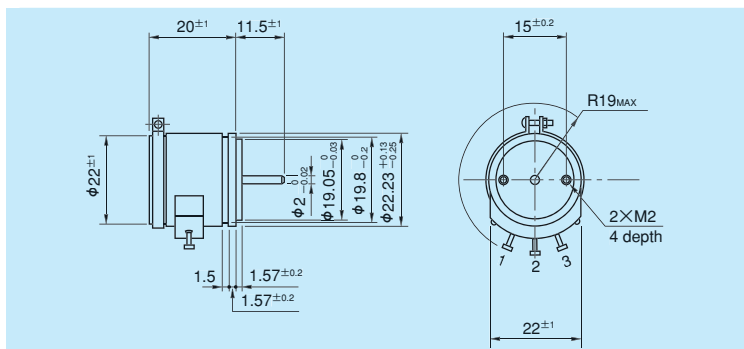


- Wirewound
- Servomount
- RoHS Compliant



Model LNB22

Standard Dimensions



General Specifications

Standard Resistance Range	500Ω to 20kΩ
Total Resistance Tolerance	Standard Class $\pm 3\%$ (H) Precision Class $\pm 1\%$ (F)
Independent Linearity Tolerance	Standard Class $\pm 0.5\%$ Precision Class $\pm 0.25\%$
Power Rating	0.3W
Noise	Within 100Ω E.N.R.
Electrical Travel	$355^\circ \pm 5^\circ$
Mechanical Travel	360° (Endless)
Insulation Resistance	Over 1,000MΩ at 1,000V.D.C.
Dielectric Strength	1 minute at 1,000V.A.C.
Starting Torque	$< 2k\Omega$ Within 0.15mN · m (1.5gf · cm) (within electrical travel)

Starting Torque	$\geq 2k\Omega$ Within 0.1mN · m (1.0gf · cm) (within electrical travel)
Resistance Temperature Coefficient	± 20 p.p.m./°C
Operating Temperature Range	$-30^\circ \sim +85^\circ$ C
Life Expectancy	100,000 shaft revolutions
Mass	Approx. 20g

Environmental Performances:

Please see the table on page 58.

Standard Resistance Values ■ No. of Wire Turns ■ Resistance Wire Used

Resist. Value (Ω)	500	1k	2k	5k	10k	20k
No. of Wire Turns	450	570	740	1,000	1,270	1,670
Resist. Wire Used	Ni-Cr System					

Special Specifications Available

(In case of the potentiometer with special specifications, the general specifications and environmental specifications may change. Please consult us in advance.)

- Extra tap (Available up to 1 tap)
- 2 ganged
- Shaft with front and rear extension (Rear shaft with 2mm dia. and 10mm length)
- Special electrical travel
- Special machining on the shaft

SPECIMEN FOR REFERENCE

Model SFCP18A



(1-turn Pot. with special housing case and completely sealed -IP65-.)

Model SLNB30



(1-turn Pot. with low-torque and special housing case.)

1-Turn ▶ Contact type ▶ Wirewound