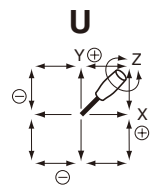
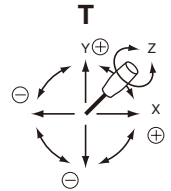
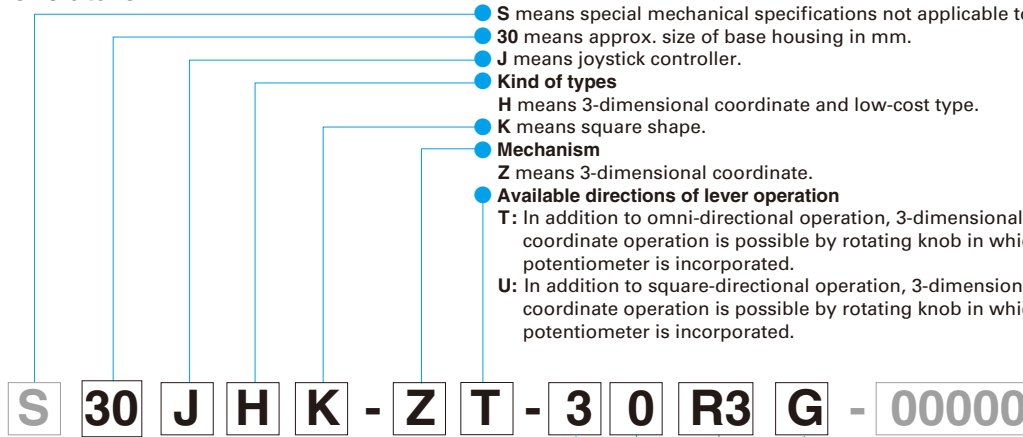


30JH

- Low-cost
- 3-dimensional coordinate
- With conductive plastic element

● Nomenclature



Number of potentiometers to be incorporated.

2...2 potentiometers incorporated (in case of the knob with an incorporated switch.)

3...3 potentiometers incorporated.

Number of Switches to be incorporated.

0...no switch incorporated.

2...2 switches incorporated (These switches are active at the both ends of Z axis. These switches are incorporated inside Z-axis instead of potentiometer. This is special version.)

With spring return device :

R3 : with spring return device for 3-dimensional coordinate type. (30JH standard option)

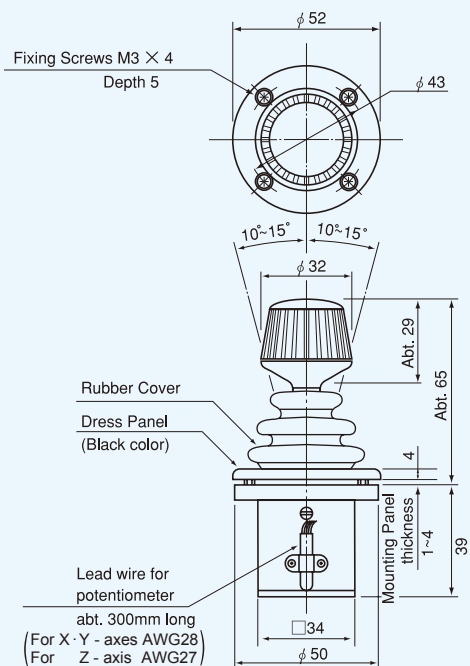
Mounting accessories : **G**: with dust proof rubber cover. (30JH standard option)

P: with sub-panel for mounting.

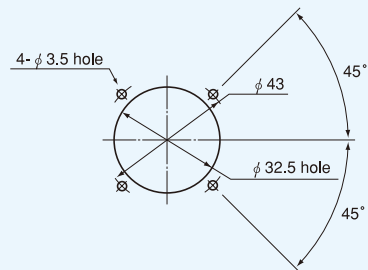
Special part number :

In the case we produce customized products, we add 4 or 5-digit branch number.

● Standard Dimensions



■ Panel Arrangements



Note: 1) 4 pcs. of mounting screws (M3 × 8) are attached.
2) Fastening torque of fixing screws shall be below 400mN·m(4kgf·cm).

(Unit : mm)



30JHK-ZT-30R3G
(Standard

3-dimensional coordinate type)

STANDARD SPECIFICATIONS

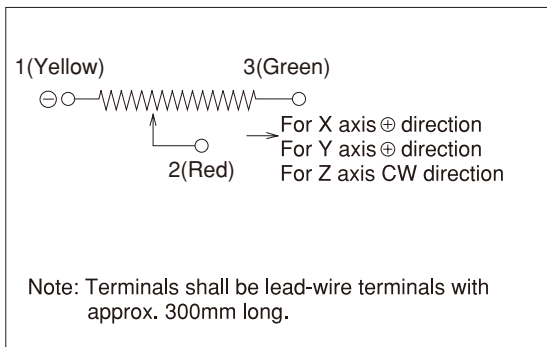
Mechanical Performance

Controlling range of operating lever	3-dimensional coordinate type. X and Y directions : Approx.±10°~±15° from center position.(Omni-directionally) Z direction : Approx.±30°~±35° from center position.
Operating force (Omni-directionally)	X and Y directions : Approx.1~2N (100~200gf) Z direction : Approx.30~70mN·m (300~700gf.cm)
Operating temperature range	-20°C~+60°C
Vibration	10~55Hz 98m/s ²
Shock	294m/s ²
Life expectancy	Approx. 2,000,000 operations.
Mass	Approx. 130g

Electrical Performance

Potentiometer incorporated	Special conductive plastic resistive element is exclusively used for 30JH series. (X and Y axes pots) Resistance value : 10kΩ±20% Rating : 0.1W Electrical rotating angle : Approx.20° Independent linearity tolerance : ±5% (Z axis pot.) Resistance value : 10kΩ±20% Rating : 0.04W Electrical rotating angle : Approx.60° Independent linearity tolerance : ±5%
Output smoothness	Below 0.2% against input voltage.
Contact resistance variation	Below 6% C.R.V.
Resolution	Essentially infinite
Dielectric strength	1 minute at 500V.A.C.
Insulation resistance	Over 1,000MΩ at 500V.D.C.

Terminal Connection Diagram



Special Specifications Available

Please see page 55, a table of "Special Specifications Available".