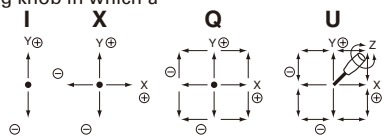
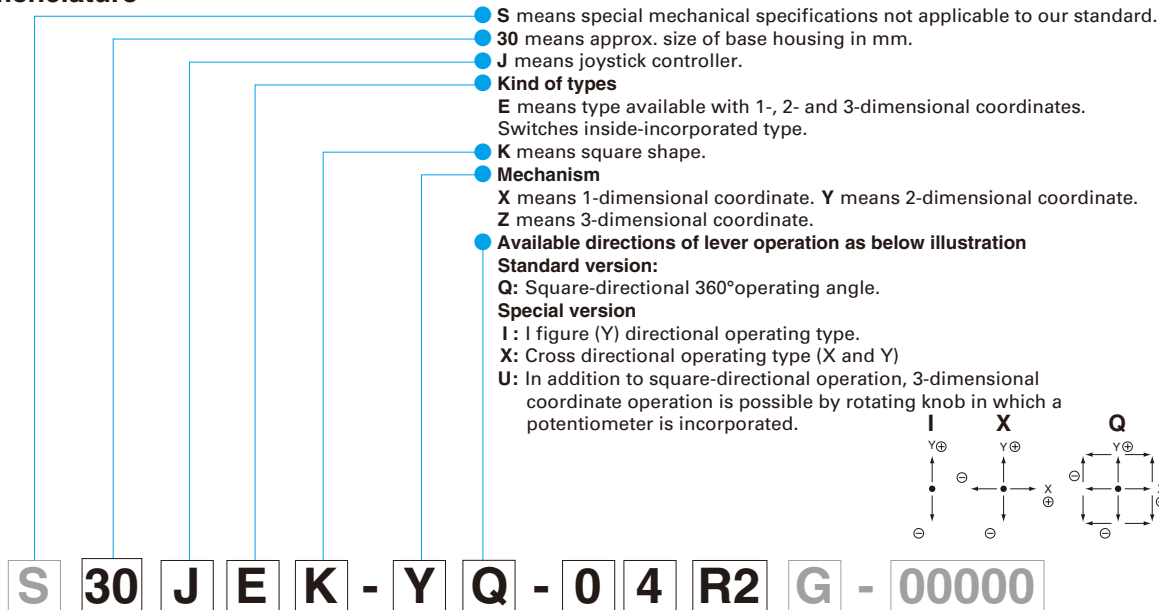


# 30JE

## ● Switch incorporated type

### ● Nomenclature



**Number of potentiometers to be incorporated.**

0...no potentiometer incorporated.

**Number of switches to be incorporated.**

1...1 switch incorporated. 2...2 switches incorporated. 3...3 switches incorporated. 4...4 switches incorporated. 5...5 switches incorporated. 6...6 switches incorporated.

**With spring return device :** R1: with spring return device for 1-dimensional coordinate.

R2: with spring return device for 2-dimensional coordinate.

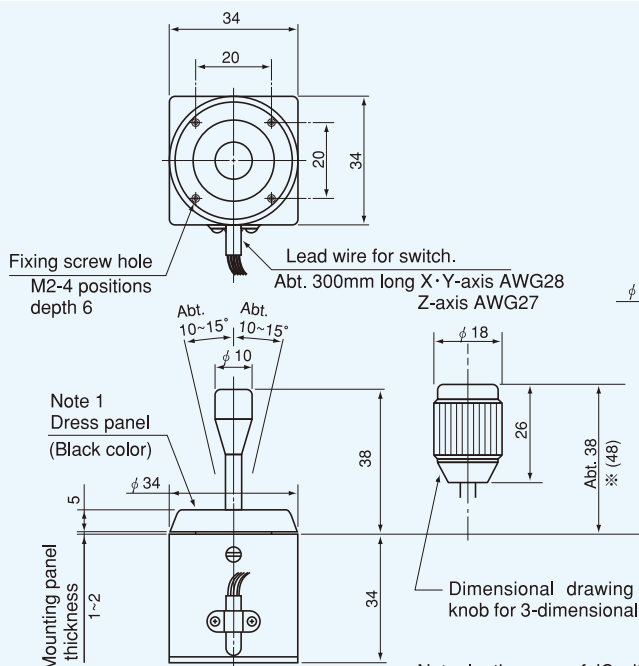
R3: with spring return device for 3-dimensional coordinate.

**Mounting accessories :** G: with dust proof rubber cover. P: with sub-panel for mounting.

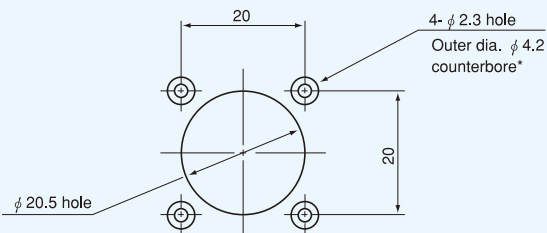
**Special part number :**

In the case we produce customized products, we add 4 or 5-digit branch number.

### ● Standard Dimensions



### ■ Panel Arrangements



Note: 1) In the case of JC with a dust-proof rubber cover, the counterbore-work (\*part) is not necessary.  
 2) 4 pcs. of mounting screw (M2  $\times$  6) are attached.

Note: In the case of JC with a dust-proof rubber cover, the shape of dress panel shall be changed.

※ Numeral in parentheses shows dimensions of Dust-proof rubber cover.

(Unit : mm)

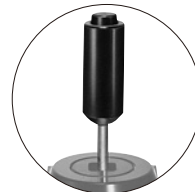


**30JEK-YQ-04R2**  
(Standard 2-dimensional coordinate type)



**30JEK-ZU-06R3G**  
(3-dimensional coordinate type with dust proof rubber cover)

**Special Knobs Available**  
For detailed dimensions, please refer to page 56.



Knob 104



Knob 304

## STANDARD SPECIFICATIONS

### Mechanical Performance

<b>Controlling range of operating lever</b>	X and Y directions : Approx. $\pm 10^\circ \sim \pm 15^\circ$ from center position. Z direction : Approx. $\pm 30^\circ \sim \pm 35^\circ$ from center position.
<b>Operating force (Standard spring return device Automatically return to center)</b>	X and Y directions : Approx. 0.8~2N (80~200gf) Z direction : Approx. 15~60mN·m (150~600gf.cm)
<b>Operating temperature range</b>	-20°C ~ 65°C
<b>Vibration</b>	10~55Hz 98m/s <sup>2</sup>
<b>Shock</b>	294m/s <sup>2</sup>
<b>Life expectancy</b>	Approx. 1,000,000 operations.
<b>Mass</b>	2-dimensional coordinate type : Approx. 80g 3-dimensional coordinate type : Approx. 100g

### Electrical Performance

<b>Switches used (Resistance load)</b>	Rating 24V.D.C., 50mA [In case of 3-dimensional coordinate and Z-axis switch-inside-knob incorporated type U, the ratings are 24V.D.C., 100mA.]
<b>Dielectric strength</b>	1 minute at 500V.A. C.
<b>Insulation resistance</b>	Over 100MΩ at 250V.D.C.

### Terminal Connection Diagram

- Switches of each axis will be "on" at both end of each axis.
- Note 1) Terminals shall be lead-wire terminals with approx. 300mm long. (AWG28)
- 2) Colors of micro-switch connection leads are shown in parenthesis.
- (For X-axis) SW1 (green 2 leads): ON up to ⊖ directional end from center position  
SW2 (white 2 leads): ON up to ⊕ directional end from center position
- (For Y-axis) SW3 (yellow 2 leads): ON up to ⊖ directional end from center position  
SW4 (red 2 leads): ON up to ⊕ directional end from center position
- (For Z-axis) SW5 (orange 2 leads): ON up to CW directional end from center position  
SW6 (gray 2 leads): ON up to CCW directional end from center position

### Special Specifications Available

Please see page 55, a table of "Special Specifications Available".