

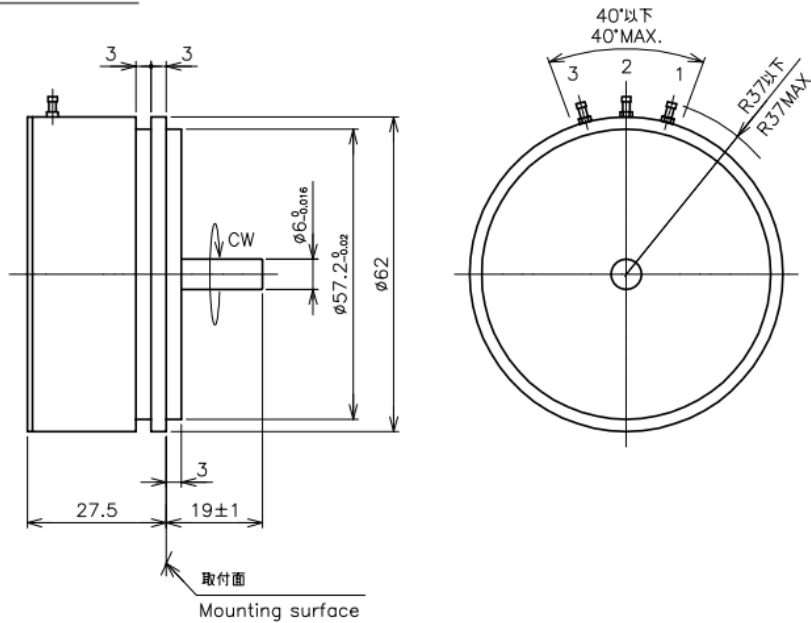
CPP-60 Series



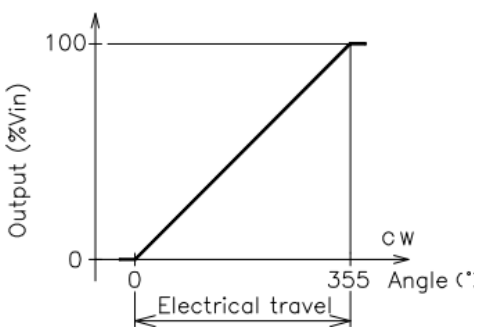
- Conductive Plastic Angle Sensor
- Effective Electrical Angle : 355°
- Independent Linearity : ±0.05%
- Servo Mount
- 【Option】
- Independent Linearity : ±0.03%
- 【Material】
- Housing : Aluminum
- Shaft : Stainless Steel
- Bearing : Stainless steel

■ Dimension [mm]

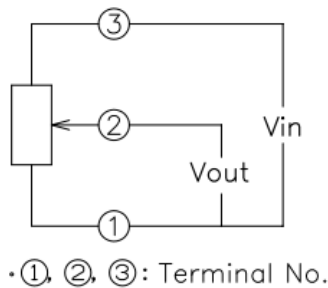
CPP-60



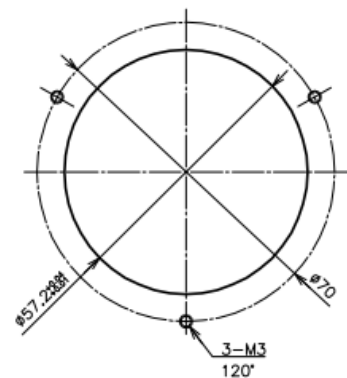
■ Output Characteristics



■ Schematic



■ Mounting



Servo Mount

【Model No.】	CPP-60
--------------------	--------

【Electrical Data】

Effective Electrical Travel	350 +1, -2	°
Total Resistance	0.5, 1, 2, 5, 10, 20	kΩ
Total Resistance Tolerance	±15	%
Independent Linearity	±0.3	%
Power Rating	3/70°C	W
Output Smoothness	MAX. 0.1	%
Insulation Resistance	MIN. 100/DC1000V	MΩ
Dielectric Strength	AC1000/1min.	V
Temperature Coefficient Of Resistance	±400	ppm/K

【Mechanical Data】

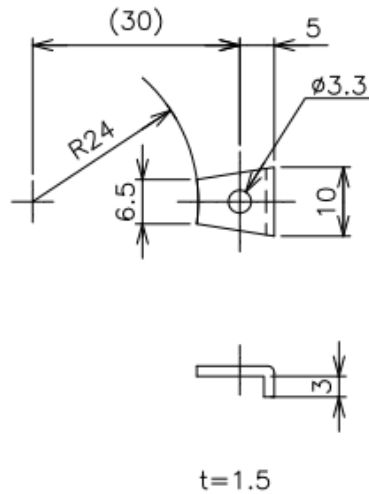
Total Mechanical Travel	360 Endless	°
Torque	MAX. 25	mN·m
Thrust Load Tolerance	2	N
Radial Load Tolerance	4	N
Mass	170 Approx.	g

【Environmental Data】

Life	10 Million	cycle
Category Temperature Range	-40~+120	°C
Storage Temperature Range	-40~+120	°C
Vibration	150m/s ² 2000Hz 3axis 2hours each	
Shock	500m/s ² 11ms 6axis 3times	

■ Accessories

Mounting Cleats : 3 pieces



■ Handling Instruction

· To avoid burnout of resistive element, do not supply more than 1mA current to terminal 2.