



MIDORI PRECISIONS CO.,LTD.

3-2-8, Shinmeidai, Hamura-shi, Tokyo 205-0023, JAPAN

July 15, 2015

CP-3F SERIES DISCONTINUANCE

We have sold CP-3F series as low cost type of CPP-35B for long years. However the cost of CP-3F series is higher than the current CPP-35B owing to small lot orders and material costs increasing. Currently CP-3F series is unprofitable so that it is very difficult to keep producing this series at the present stage.

We are sorry that we have to decide discontinued CP-3F series at last.

Model number affected

CP-3F

CP-3FB

CP-3FS

Time Schedule

Last Order Date: September 30, 2015

Last Production Date: March 31, 2016

Replaceable Model

CP-3F, CP-3FS: CPP-35B-46 (Shaft L2=0)

CP-3FB: CPP-35B-100 (w/Bushing Mount Cap)

Difference is only outer dimension. (Refer fig.1~4) Electrical specifications are same.

We hope you can understand our situation as abovementioned, and please do not hesitate to contact us about everything of above matter.

Thank you for your cooperation.

Maki Inoue

MIDORI PRECISIONS CO., LTD.



MIDORI PRECISIONS CO., LTD.

3-2-8, Shinmeidai, Hamura-shi, Tokyo 205-0023, JAPAN

Fig. 1

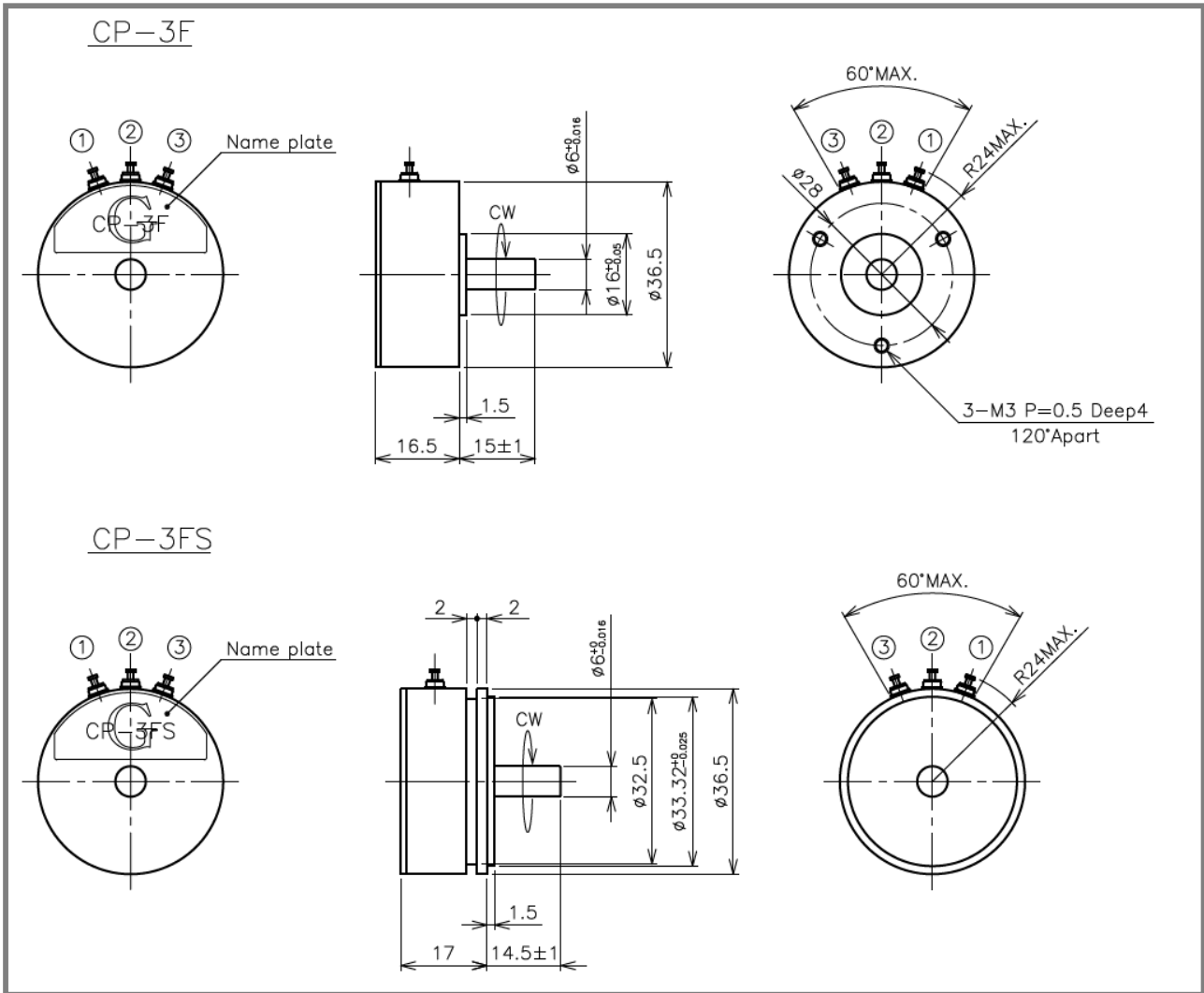
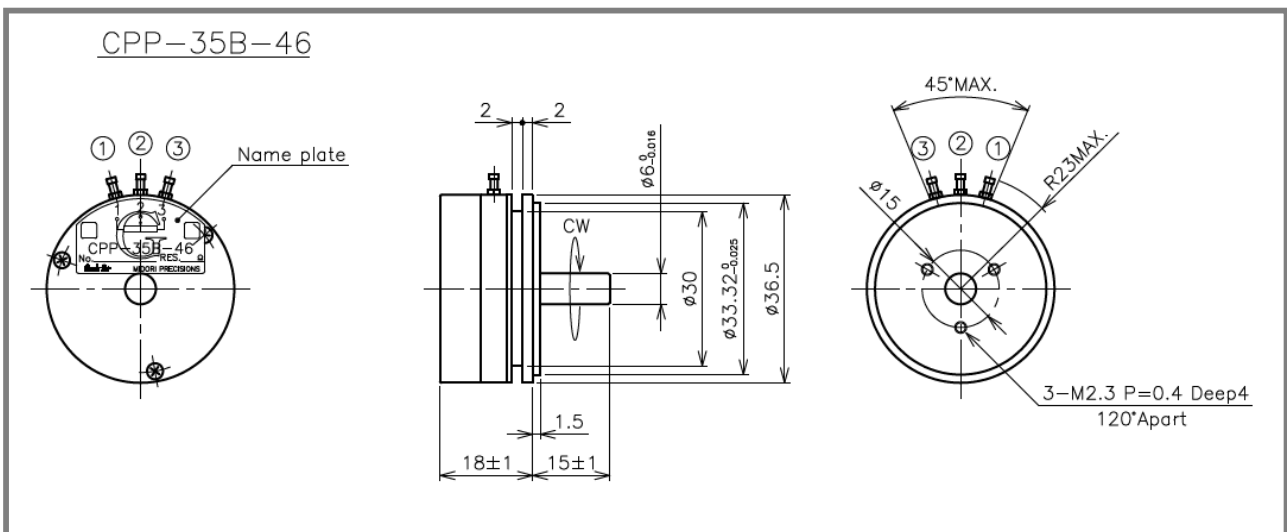


Fig. 2





MIDORI PRECISIONS CO., LTD.

3-2-8, Shinmeidai, Hamura-shi, Tokyo 205-0023, JAPAN

Fig. 3

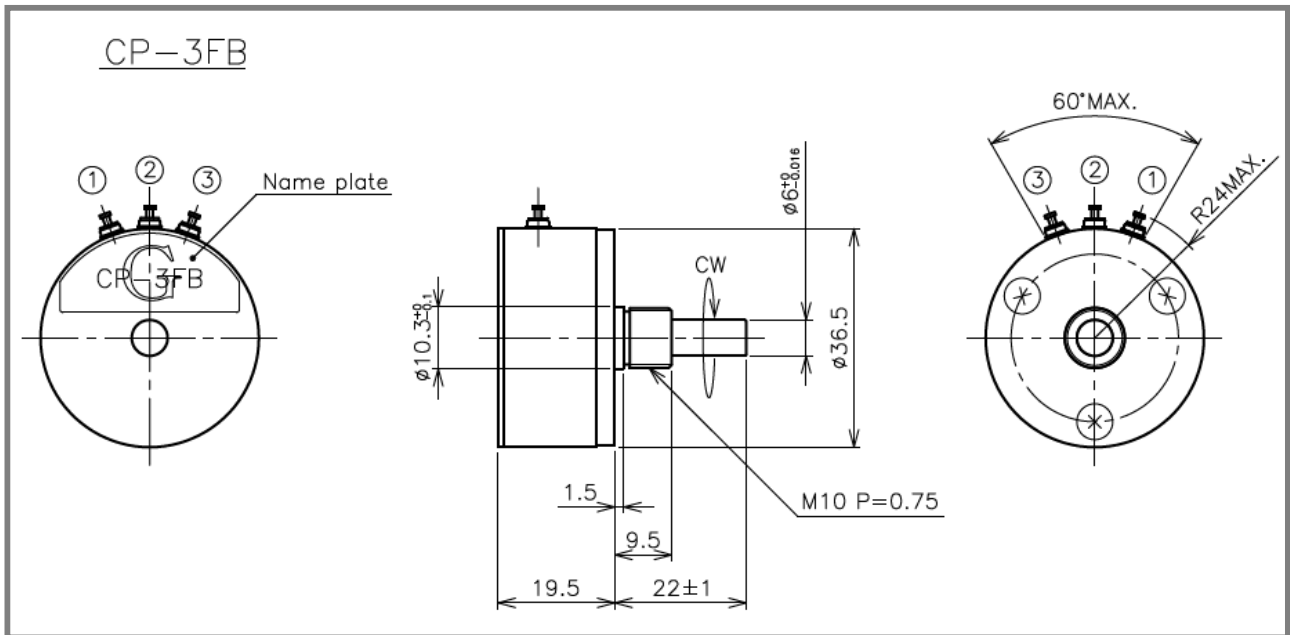


Fig. 4

