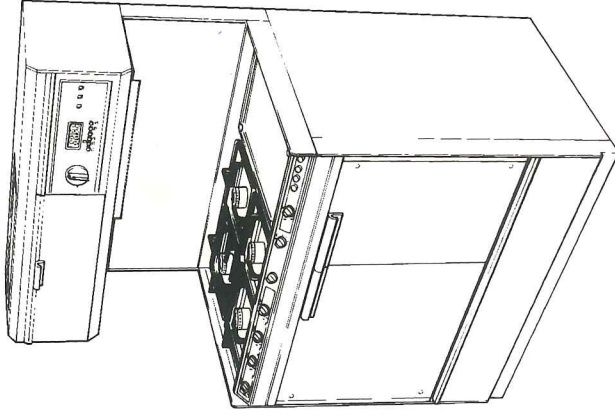


Our policy is one of continual improvement in design and development, therefore strict accuracy of illustrations and descriptions cannot be guaranteed.

Cannon

CORDON BLEU CLASSIQUE MK 2



Installation & Maintenance Instructions

Leave these instructions with the User.

Data Badge is located behind front L.H. support pillar.
(Remove Storage Drawer for access)

A Natural Gas Appliance.

G.C. Appliance No. 11 132 94 (Brown)
11 132 95 (White)

Cannon

THE FIRST NAME IN GAS

*Creda Limited,
PO Box 5, Grindley Lane, Blythe Bridge,
Stoke-on-Trent ST11 9JL.*

CANNON CORDON BLEU CLASSIQUE INSTALLATION INSTRUCTIONS

This appliance has been tested and certified to British Standards and carries the British Standards Safety Mark.

This cooker has been built to burn NATURAL GAS ONLY and cannot be used on any other gas.

The installation must be in accordance with the current I.E.E. Regulations. Gas Safety (Installation & Use) Regulations 1984.

It is the law that all gas appliances are installed by competent persons in accordance with the above regulations. Failure to install appliances correctly could lead to prosecution. It is in your own interest, and that of safety, to ensure that the law is complied with.

Detailed recommendations are contained in the following British Standard Codes of Practice: BS6891: 1988, BS6172: and BS5440: Pt. 2 1976. In the U.K., CORGI registered installers work to safe standards of practice.

LOCATION

The cooker may be located in a kitchen, kitchen/diner or a bed-sitting room, but not in a room containing a bath or shower.

PROVISION FOR VENTILATION

The room containing the cooker should have an air supply in accordance with BS5440: Pt. 2 1976.

All rooms require an openable window or equivalent, while some rooms require a permanent vent in addition to the openable window. The cooker should not be installed in a bed-sitting room of less than 21m^3 , and furthermore should not be installed in any room of volume less than 6m^3 , if it is installed in a room of volume between 6m^3 and 9m^3 an air vent of effective area 65cm^2 is required, if it is installed in a room volume between 9m^3 and 11m^3 , an air vent of effective area 35cm^2 is required, while if the room exceeds 11m^3 no air vent is required. However, if the room has a door that opens directly to outside, no air vent is required, even when the room volume is between 6m^3 and 11m^3 .

If there are other fuel burning appliances in the same room BS5440: Pt. 2 1976 should be consulted to determine the requisite air vent requirements.

If the cooker is installed in a cellar or basement, it is advisable to provide an air vent of effective area 65cm^2 , irrespective of the room volume.

DIMENSIONS

Height	Width (35 $\frac{5}{8}$ ")	Depth
1470mm (58")	905mm	600mm (23 $\frac{5}{8}$ ")

GENERAL DATA

Pressure Setting
Pressure Test Point
Gas Rate Adjustment
Aeration Adjustment
Ignition

Spark Gap

Grill:
Burner (Simplex)

Heat Input
Injector size
Electrode

Hotplate:
Burners

Heat Inputs
Injector size
Electrode
Recommended Pan size

Main Oven

Burner
Heat input
Injector size
Electrode
F.S.D.

F.S.D. By-pass
Solenoid
Thermostat
Thermostat By-pass

Small Oven

Burner
Heat input
Injector size
Electrode
F.S.D.
F.S.D. By-pass
Solenoid
Thermostat

Griddle

Burner
Heat input
Injector size
Electrode

Connections

Gas
Electric

Not Adjustable 20 umbar (8" wg)

Grill Injector

Fixed

Fixed

Spark Generator

Turnright GL399

3mm - 4mm ($1/8'' - 5/32''$)

Mixing tube & burner body formed from steel pressings.

4.5kW (15,350 Btu/h)

165

BGC 5

4 aluminium alloy die cast burner bodies with pyral burner caps and loose vitreous enamelled disc inserts.

3kW (10,250 Btu/h) each burner

125

Cannon 21006

100 - 255mm (4" - 10")

Cast Iron

2.5kW (8,530 Btu/h)

115

BGC 5

Concentric MCA 74.

Diamond H 1E/5920/22

Fixed

Sperryn G1541

Diamond H 1-1100-57-A1

B5

Cast Iron

2.5kW (8,530 Btu/h)

115

BGC 5

Concentric MCA 147, Diamond H1E/5920/22

Fixed

Sperryn G1542/21

Diamond H 1-1100-58-A2

Multi hole pressed steel

1.25 kW (4265 Bth/h)

90

BGC 5

RP $1/2$ ($1/2$ " B.S.P. Female)

Flexible Cord at rear (right hand side)

Heat Resisting PVC 85°C, 0.75mm²

(24 strands 0.2mm dia.)

240V 50Hz 3A fuse

O/D 6.6mm - 7.6mm

SPACE FOR FIXING

The appliance may be close fitted below hotplate level, i.e. 908mm (35 $3/4$ ") gap between cabinets, but allow a minimum gap of 50mm (2") between the appliance and any wall partition or tall cupboard unit above the hotplate.

Allow a minimum distance of 1970mm (77 $1/2$ ") from the floor to the underside of any overhead combustible surface such as overhanging cabinets. This gives 500mm (20") from the top of the grill to the underside of the overhead combustible surface.

When positioning the cooker under a non-combustible surface, allow a minimum distance of 1820mm (71 $5/8$ ") from the floor to give a clearance of 350mm (14") from the grill to the underside of the overhead surface.

FITTING STABILISING FEET

AFTER UNPACKING THE CLASSIQUE AND REMOVING TRANSIT BASE IT IS NECESSARY TO FIT THE FRONT STABILISING FEET. THESE ARE PACKED IN WITH THE GRILL PAN, SCREW IN FEET PRIOR TO POSITIONING OR MOVING THE APPLIANCE.

COOKER MOBILITY

The cooker is fitted with wheels and adjustable feet at the two front corners to stabilise the appliance.

CAUTION: Some soft floor coverings may be damaged by wheeling the cooker across their surface. To move the cooker turn the stabilising feet clockwise and screw up feet clear of the floor. The cooker is then free to move on its wheels.

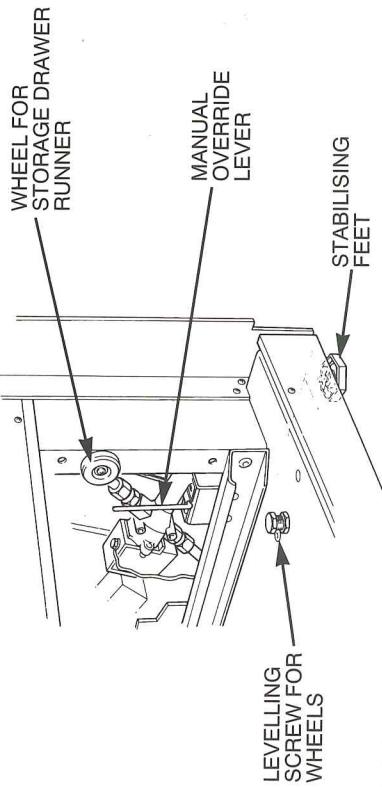


Fig. 1

SITE THE COOKER

This appliance is designed not to project in front of standard 600mm worktops (excluding handles). To achieve the best fit the cooker must be pushed against the wall. If the wall mounted adaptor backplate (Fig. 2) is to be fitted behind the appliance then the suitable area for this fitting is shown as the shaded area in (Fig. 3).

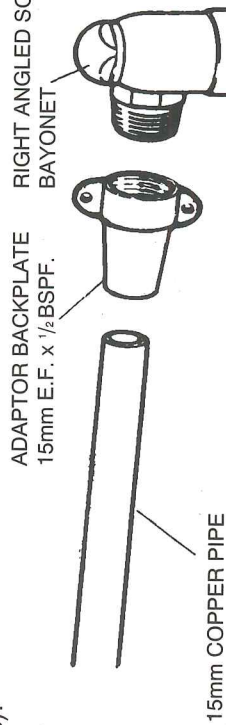
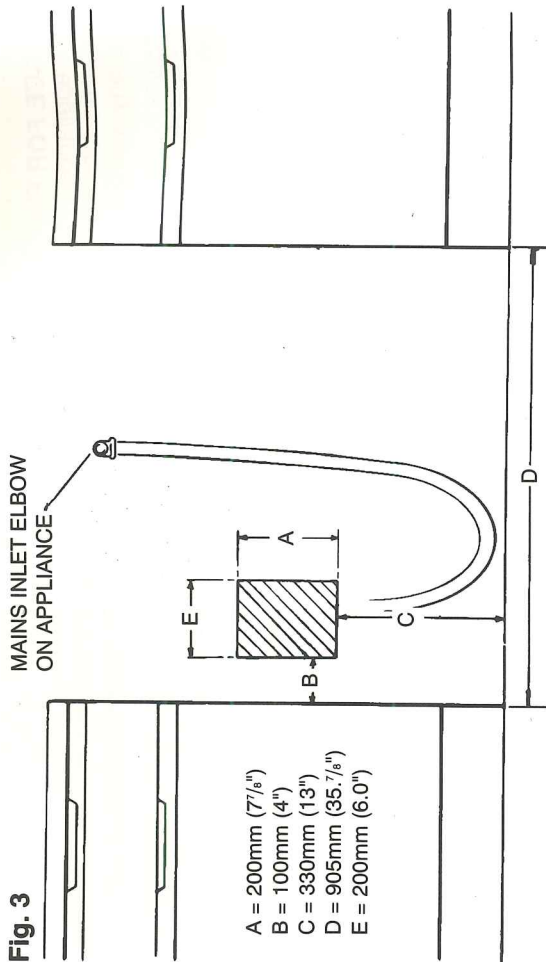


Fig. 2

Fig. 3



LEVEL THE COOKER

Push the cooker back into working position. Level the cooker with a spirit level on the oven base using the 4 adjustable levelling screws accessible through storage drawer compartment. Lower front stabilising feet to secure in position.

CONNECT TO GAS SUPPLY

Connection to the appliance should be made with an approved appliance flexible connection to BS 669. A length of 900mm is recommended.

The temperature at the rear of the appliance which is likely to come into contact with the flexible hose does not exceed 70°C.

A Rp 1/2 elbow is fitted to the cooker.

If the position of the wall connector is within 250mm of the oven inlet, the loop of hose will give maximum movement to the cooker.

COMPLETE ELECTRICAL INSTALLATION

The cooker should be plugged into a double pole switch or an unswitched socket outlet which is properly connected to the house electricity distribution system and efficiently earthed.

WARNING - THIS APPLIANCE MUST BE EARTHED. REFER TO RATING PLATE FOR VOLTAGE AND CHECK THAT THE APPLIANCE VOLTAGE CORRESPONDS WITH THE SUPPLY VOLTAGE.

The flexible mains lead is supplied connected to a B.S. 1363 fused plug having a fuse of 3 amp capacity and should this plug not fit the socket outlet in your home, it should be cut off and replaced with a suitable plug as outlined below.

NOTE: Such a plug cannot be used for any other appliance and should therefore be properly disposed of and not left where children might find it and plug it into a supply socket - with the obvious consequent danger of electrocution.

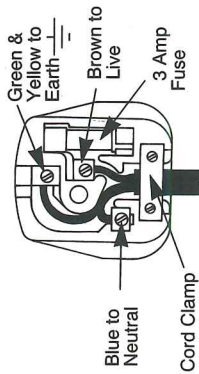
APPLICABLE ONLY IF THE MOULDED PLUG IS REMOVED

The flexible mains lead must be correctly connected as below to a three pin plug of not less than 13 amp capacity. If a B.S. 1363 fused plug is used, it must be fitted with a 3 amp fuse which is approved to B.S. 1362.

We recommend the use of good quality plugs and wall sockets that can be switched off when the cooker is serviced or cleaned.

IMPORTANT: The wires in the mains lead fitted to this appliance are coloured in accordance with the following code:

- GREEN AND YELLOW - EARTH
- BLUE - NEUTRAL
- BROWN - LIVE



As the colours of the wires in the mains lead of this appliance may not correspond with the coloured markings identifying the terminals in your plug, proceed as follows:- The wire which is coloured green and yellow must be connected to the terminal in the plug which is marked with the letter E or by the earth symbol \perp or coloured green or green and yellow. The wire which is coloured blue must be connected to the terminal which is marked with the N or coloured black. The wire which is coloured brown must be connected to the terminal which is marked with the letter L or coloured red. When wiring the plug, ensure that all strands of wire are securely retained in each terminal. Do not forget to tighten the mains lead clamp on the plug. As the appliance must be earthed, **do not use 2-pin sockets outlets, if you are in doubt, consult a qualified electrician.**

Should the mains lead ever require replacement, it is essential that this operation be carried out by a qualified electrician and should only be replaced with a flexible cord of the same size i.e. 0.75mm² cross sectional area. **The plug and socket must be accessible after installation.**

APPLICABLE ONLY IF MOULDED PLUG HAS NOT BEEN REPLACED

After replacement of a fuse in the plug, the fuse cover must be refitted. If the fuse cover is lost, the plug must not be used until a replacement cover is obtained. The colour of the correct replacement fuse cover is that of the coloured insert in the base of the plug of the colour that is embossed in words in the base of the fuse recess or elsewhere on the plug. Always state this colour when ordering a replacement fuse cover. (Available from the Cannon Service Organisation). Only 3 amp replacement fuses which are ASTA approved to B.S. 1362 should be fitted.

NOTE: In houses having ring-main type distribution systems it is essential to use a plug fitted with fuse cartridge of 3 amp rating.

In the event of an electrical fault after the installation of the appliance, preliminary electrical system checks shall be carried out (i.e. earth continuity, polarity and resistance to earth).

Connect to electricity supply and check for gas soundness.

Gas pressure can be checked at the grill injector, - see maintenance instructions for removal of grill burner. (For pressure test electrode lead does not need to be disconnected).

CHECK THE OPERATION OF THE COOKER

Check that the grill, griddle, ovens and four hotplate electrodes spark correctly. The hotplate burners should be checked for a steady flame when turned down to the smallest flame symbol marked on the knob.

The grill should show no flame lift after initial ignition.

The gas at the oven burner will ignite at a by-pass low rate but within 60 seconds should increase to full flame. The flame is observed with the doors open. With the thermostat set to Mark E close the oven door for a short time to check that the flame is reduced.

Check operation of clock and automatic ignition.

USER

Instruct the user in the operation of the appliance and hand over these and the User's Instructions.

MAINTENANCE INSTRUCTIONS

REMOVE PLUG OR DISCONNECT MAINS ELECTRICITY, AND BEFORE SERVICING ANY GAS CARRYING COMPONENT, DISCONNECT THE GAS SUPPLY TO THE APPLIANCE.

CHECK FOR SOUNDNESS AFTER MAINTENANCE OR DISCONNECTION OF ANY GAS CARRYING COMPONENT.

1. FACIA PANEL

1. Remove control knobs and switch buttons.
2. Remove facia glass lower extrusion, 3 vertical pan head screws behind extrusion lower edge and two self tapping side screws.
3. Remove facia glass by lifting lower edge upwards and easing away from upper extrusion location and over tap spindles, be careful not to lose or misplace the rubber protection mouldings at each end of glass.
4. Re-assemble in reverse order, ensuring protection mouldings are fitted to glass.

2. HOTPLATE

1. Remove centre disc, pan supports, burner caps, griddle cover, griddle plate, control knobs and switch buttons.
2. Remove facia glass lower extrusion, 3 vertical machine screws behind extrusion lower edge and two self tapping side screws.
3. Lift off facia glass. Refer item 3 facia panel.
4. Remove 2 front facing hotplate fixing screws.
5. Lift and remove hotplate rear facia strip.
6. Lift front of hotplate sufficiently to disconnect electrodes and earth connection on chassis. The hotplate can now be removed.
7. Re-assemble in reverse order.

3. HOTPLATE SIDE EXTRUSION

1. Remove hotplate (Section 2)
2. Place hotplate face down. Remove side fixing screws and 3 securing nuts and lock washers and remove extrusion.
3. Re-assemble in reverse order.

4. SIDE PANELS

1. Open oven door and remove 2 forward facing flanged head screws and fibre washers. One at the bottom of side extrusion. (Open storage drawer fully for access) and one at top of side extrusion above top inner door hinge.
2. Support bottom of side panel and ease outwards and back to remove from location pegs.
3. Re-assemble in reverse order. Ensure fibre washers are re-fitted.

5. OVEN DOOR HANDLES (OUTER)

1. Open door and remove 2 screws and domed nuts securing handle and inner plate.
2. Refit in reverse order.

6. OVEN DOORS (OUTER)

1. Open door and remove handle and inner plate. (2 screws)
2. Support door and remove 2 hexagon headed hinge fixing screws and nuts together with fibre washers and spacers. Remove door glass.

NOTE: - Resistance will be felt when removing glass due to the presence of 2 adhesive pads sandwiched between glass inner face and hinge.

3. Reassemble in reverse order, ensuring fibre washers and spacers are fitted.

7. OVEN DOOR HINGES (OUTER)

1. Support hinge, or door if fitted, (which must be open) and remove 2 hinge bracket fixing screws.
2. Tilt top of hinge/door outwards and lift out of bottom location.
3. Remove hinge bracket and top and bottom fibre washers.
4. Reassemble in reverse order fitting the appropriate top and bottom fibre shim washers to ensure correct alignment.

8. OVEN DOOR HANDLES (INNER)

1. Open oven door and remove 2 hexagon headed fixing screws, fibre washers, spacers and nuts.
2. Remove handle together with striker pin. (If new handle if fitted transfer striker pin).
3. Refit in reverse order ensuring fibre washers and spacers are fitted.

9. OVEN DOORS (INNER)

1. Open door and remove by lifting off hinge pins.
2. Replace in reverse ensuring that both hinge pins are located correctly before lowering fully.

10. OVEN DOOR HINGES (INNER DOOR)

1. Remove door. (Section 9)
2. Remove hexagon headed screws, fibre washers and spacers to release hinges.
3. Refit in reverse ensuring fibre washers and spacers are fitted.

11. OVEN DOOR SEAL

1. Remove inner door handle. (Section 8 - 1&2)
2. Remove inner door (Section 9 - 1)
3. Remove door hinges. (Section 10 - 2)
4. Remove the seal by pulling away from glass at either end.
5. Refit seal by fitting middle re-inforced section centrally on top of glass, continuing down both sides. Leading edge of seal to be towards frame.
6. Refit hinges, handle, screws, fibre washers, spacers and nuts.
7. Re-hang door.

12. OVEN INNER DOOR CATCH (STRIKER PIN)

1. Release both nuts and unscrew striker pin.
2. Refit striker pin and adjust if necessary.

9. Reassemble in reverse order ensuring 'O' ring is seated correctly, and that only the tip of the phial protrudes through the front location. Check for gas soundness.

18. GRIDDLE TAP (Greasing)

1. Follow points 1&2 Hotplate tap (Greasing).
2. Remove Licon switch and fluorescent tube.
3. Remove 2 switch location bracket fixing screws and lift off bracket.
4. Remove 1 upward facing screw and lift off spindle and cover together.
5. Remove spring and withdraw plug.
6. Grease plug and remove surplus grease after bedding in ensuring that plug drilling are not blocked with grease.
7. Reassemble tap and appliance in reverse order.

(Removal)

1. Remove hotplate (Section 2).
2. Release the outlet union from the injector adaptor. (It will be necessary to use a spanner on both the union nut and the adaptor hexagon located between the injector and the right angle location bracket).
3. Remove Licon switch and fluorescent tube.
4. Remove 2 switch location bracket fixing screws and lift off bracket.
5. Remove 2 tap fixing screws and withdraw tap together with bundy tube through frame.
6. Transfer bundy supply tube to new tap.
7. Refit tap, ensuring 'O' ring is correctly fitted and supply tube olive is located in injector adaptor. Refit switch bracket, Licon switch and fluorescent tube.
8. Refit union and check for soundness.
9. Reassemble appliance in reverse order.

19. GRILL TAP & SWITCH

(Removal)

1. With cooker pulled forward remove grill top panel, (above timer) 2 screws at top rear of appliance, and slide rearwards and remove.
2. Remove 2 flanged head screws and fibre washers from underside of grill, (below timer) and carefully lower hinged electrics tray against splashback.
3. Pull off tap control knob and withdraw spacer.
4. Disconnect outlet union from tap.
5. Remove 2 tap fixing screws and remove tap and Licon switch locating bracket, allowing switch to fall free.
6. Reassemble in reverse order ensuring 'O' ring is correctly seated and that Licon switch and bracket are correctly located.

(Greasing)

1. Follow points 1 to 5 above. (Removal)
2. Follow points 3, 4 & 5 Section 16 Greasing.
3. Slide Licon switch on to tap spindle and refit tap and switch location bracket. (Ensuring 'O' ring is correctly seated before fitting).
4. Reconnect supply pipe union and check for gas soundness.
5. Reassemble in reverse order, ensuring switch spacer is fitted between switch and knob.

13. OVEN INNER DOOR CATCH (FRAME)

1. Remove 2 flanged head screws and fibre washers.
2. Withdraw catch plate.
3. Remove appropriate catch fixing screws and remove catch.
4. Reassemble catch plate in reverse and refit to cooker.

14. SPLASHBACK SIDE PILLARS

1. Remove two screws to release side pillar.
NOTE: - IF BOTH SIDE PILLARS ARE TO BE REMOVED GLASS SPLASHBACK MUST BE SUPPORTED TO PREVENT IT TOPPLING FORWARD DUE TO REMOVAL OF SIDE PILLAR.

2. When refitting side pillar ensure that the wider of the two bend faces is towards the hotplate in order to secure the splashplate glass.

15. SPLASHBACK (GLASS)

1. Lift and remove hotplate rear fascia strip, rear pan support and griddle cover.
2. Remove both side pillars, (2 screws each) whilst supporting splashback to prevent glass slipping forward onto hotplate.
3. Remove by easing bottom edge of glass outwards and lifting clear. (Store in a safe place to avoid risk of damage)
4. Reassemble in reverse order, supporting glass until secure.

16. HOTPLATE TAP

(Greasing)

1. Follow points 1 & 2 Facia Panel (1).
2. Remove facia glass by lifting lower edge upwards and easing away from upper extrusion location and over tap spindles.
3. Remove spindle collar fixing screw and remove collar.
4. Turn spindle until pin coincides with screw hole and withdraw spindle and spring.
5. Remove plug and regrease, removing surplus grease after bedding in and ensuring that plug drillings are not blocked with grease.
6. Reassemble tap and facia in reverse order.

(Removal)

1. Follow points 1&2 above (Greasing).
2. Remove fluorescent tube.
3. Remove 2 tap fixing screws.
4. Refit in reverse ensuring 'O' ring is fitted correctly.

17. THERMOSTAT (Both Ovens)

1. Remove hotplate (Section 2).
2. Remove oven shelves from appropriate oven.
3. Withdraw oven roof heatclean lining.
4. Remove clip, 1 screw, securing phial to oven roof and withdraw phial tip from front location.
5. Carefully withdraw phial through hole in oven top rear corner.
6. Disconnect outlet union from rear of thermostat.
7. Remove Licon switch and appropriate fluorescent tube.
8. Remove 2 fixing screws and slide thermostat rearwards.

20. GRILL FRET

1. Remove grill canopy, 2 screws and washers at rear of cooker.
2. Remove 2 top screws securing grill fret.
3. Reassemble in reverse order.

21. GRILL BURNER

1. Remove grill fret (20).
2. Remove grill shelf.
3. Remove 2 electrode fixing screws and pull electrode and lead forward sufficiently to give access to burner fixing screw.
4. Support burner and fully release one captive fixing screw from left hand support bracket.
5. Slide burner to left to disengage from injector, pull forward and place on grill compartment base.
6. Disconnect electrode from lead (not necessary for pressure test) withdraw lead from electrode support bracket and secure loose end to prevent it slipping behind splashback.
7. Re-assemble in reverse order.

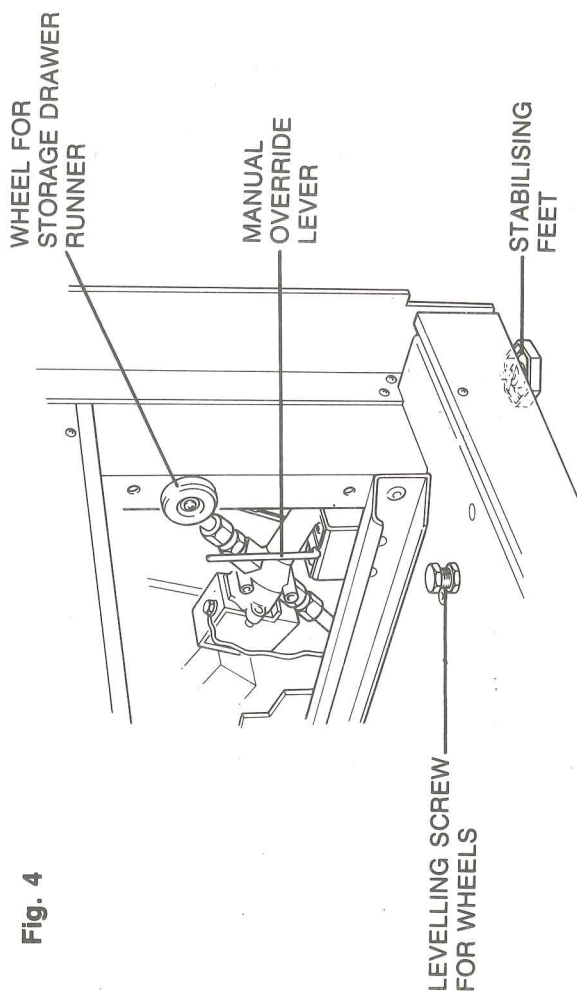
22. GRIDDLE BURNER

1. Remove hotplate (Section 2).
2. Remove 1 rear burner fixing screw and slide burner rearwards.
3. Disconnect ignition lead. Transfer electrode if fitting new burner.
4. Reassemble in reverse order.

23. OVEN BURNERS

1. Remove oven shelves and storage drawer.
2. Disconnect the appropriate outlet union from solenoid. (For large oven solenoid push down the over-ride lever for access to union nut) (Fig. 4).

Fig. 4



3. Whilst supporting the burner assembly from within the storage drawer compartment remove the 4 burner fixing screws and washers from rear of oven base.
4. Lower the burner assembly, disconnect electrode, move assembly slightly to the left to bring supply pipe end clear of solenoid and drawer runner and withdraw clear of cooker.
5. Remove 2 lower screws from front of burner assembly and remove bottom cover, being careful not to damage capillary.
6. Support burner and remove 2 rear burner fixing screws.
7. Slide and lower burner to the left, again being careful not to damage capillary.
8. Reassemble in reverse order. Be sure that oven pan stop and screw washers are fitted. Reset over-ride if necessary.
9. After reassembly check for gas soundness at both connections.

24. OVEN F.S.D

1. Follow points 1 to 4 oven burner.
2. Remove F.S.D. phial from slot retainers. The slot fingers in the phial retainer attached to the electrode bracket should be carefully prised open with a small flat blade screw driver and the phial tip eased up and over the front finger. Slide the phial towards rear of assembly until capillary enters second retainer. Lift phial, pull out through rectangular hole and move to rear of assembly.
3. Remove 2 lower screws from front of burner assembly and remove bottom cover.
4. Hold F.S.D. firmly, release inner locknut and remove.
5. Reassemble in reverse order, remembering to pinch rear phial retainer fingers together, and to check for gas soundness.

25. SOLENOID

1. Remove RH side panel and storage drawer.
2. Unplug electrical connection and remove earth lead. Disconnect inlet and outlet unions.
3. Remove 2 screws securing solenoid to support bracket.
4. Reassemble in reverse order, reconnecting plug and earth lead.

26. ELECTRODES

Hotplate

1. Proceed as in to remove hotplate (2).
2. Remove electrode retainer. 1 screw.
3. Reassemble in reverse order.

Griddle

1. Proceed as in to remove hotplate (2).
2. Remove one flame spreader plate fixing screw and release the other. Swing the plate to one side and remove 2 electrode fixing screws. Disconnect electrode.
3. Reassemble in reverse order.

Grill

1. Remove grill shelf.
2. Remove 2 electrode fixing screws. Disconnect electrode lead and secure loose end to prevent it slipping behind splashback.
3. Reassemble in reverse order.

Oven

1. Remove storage drawer and appropriate oven shelves.
2. Remove F.S.D. phial from slot retainers. The slot fingers in the phial retainer attached to the electrode bracket should be carefully prised open with a small flat blade screw driver and the phial tip eased up and over the front finger. Slide the phial towards rear of assembly until capillary enters second retainer. Lift phial, pull out through rectangular hole and move to rear of assembly.
3. Remove 2 upper screws and front plate from burner support assembly.
4. Disconnect electrode and remove 2 fixing screws.
5. Reassemble in reverse order.

27. SPARK GENERATOR

1. Remove 2 flanged head screws from underside of grill, (below timer) and carefully lower hinged electrics tray against splashback.
2. Remove leads from spark generator.
3. Remove 2 generator fixing screws.
4. Refer to wiring diagram when reconnecting leads.

28. IGNITION AND LIGHT SWITCHES

1. Remove facia panel (Section 1).
2. Unclip fluorescent tube and remove RH tube clip if necessary.
3. Squeeze or press in 4 wing points holding switch in place and push switch through bracket.
4. Withdraw switch from beneath bracket and disconnect leads.
5. Reconnect leads and fit new switch, refit tube clip, if removed.
6. Reassemble appliance in reverse.

29. INJECTORS

Hotplate

1. Proceed as in hotplate tap (removal) 1 to 3.
2. Remove injector and crush washer.
3. Refit injector with crush washer.
4. Refit tap ensuring 'O' ring is correctly seated.
5. Reassemble in reverse order.

Griddle

1. Follow points 1 and 2 (Griddle burner)
2. Remove injector, using a spanner on both the injector and the adaptor. (Note: a crush washer is not fitted).
3. Reassemble in reverse order.

Ovens

1. Follow points 1 to 7. (Oven burner)
2. Hold F.S.D. firmly and remove injector and crush washer.
3. Refit injector ensuring crush washer is fitted.
4. Reassemble as described in items 8&9. (Oven burners).

Grill

1. Proceed as in grill burner, 1 to 4. (Grill burner)
2. Remove injector using a spanner on both injector and adaptor.
3. Reassemble in reverse order, ensuring crush washer is fitted.

30. GRIDDLE AND THERMOSTAT MICROSWITCHES

1. Follow points 1 & 2 Facia Panel.
2. Remove facia glass by lifting lower edge upwards and easing away from upper extrusion and over tap spindles.
3. Slide circular disc off tap/thermostat spindle.
4. Slide switch off tap/thermostat spindle
5. Reassemble in reverse order.

31. OVEN LAMP

1. Unscrew lamp lens at rear of oven.
 2. Unscrew lamp.
- NOTE: - The replacement lamp must be rated for high temperatures.

32. TIMER

1. With cooker pulled forward, remove grill top panel, above timer, 2 screws and washers at top rear of appliance, slide rearwards and remove.
2. Remove grill tap knob and timer buttons.
3. Support glass and remove facia glass top trim. 2 nuts and washers with access from inside electrics compartment, lift glass clear.
4. Remove 2 outer screws securing timer box and slide box along cables. Disconnect timer.
5. Press in 4 securing sprig points, two each side, one side at a time and withdraw timer.
6. Refit new timer and reconnect in accordance with wiring diagram.
7. Refit box.
7. Reassemble in reverse order, supporting facia glass when refitting top trim.

33. NEON LAMPS

1. Proceed as in 1 to 3 timer.
2. Disconnect leads from appropriate neon and push lamp out.
3. Refit new neon, pushing in completely and continuing to press in whilst reconnecting.
4. Reassemble in reverse order supporting facia glass when refitting top trim.

34. FACIA LAMPS

1. Remove facia panel (Section 1).
2. Disconnect leads and remove lamp from clips.
3. Reassemble in reverse order.

35. HOTPLATE LAMP

1. Remove splashback glass (Section 15).
2. Disconnect leads and remove lamp from clips.
3. Re-assemble in reverse order.

36. LAMP CHOKES

1. Remove two flanged head screws from underside of grill (below Timer) and carefully lower hinged electrics tray against splashback.
2. Remove choke two screws.
3. Cut both leads to choke (as near to choke as possible).
4. Remove 5mm of insulation from the ends of leads and push the wires into the terminals on the replacement choke.
5. Refit in reverse order.

37. LAMP STARTERS

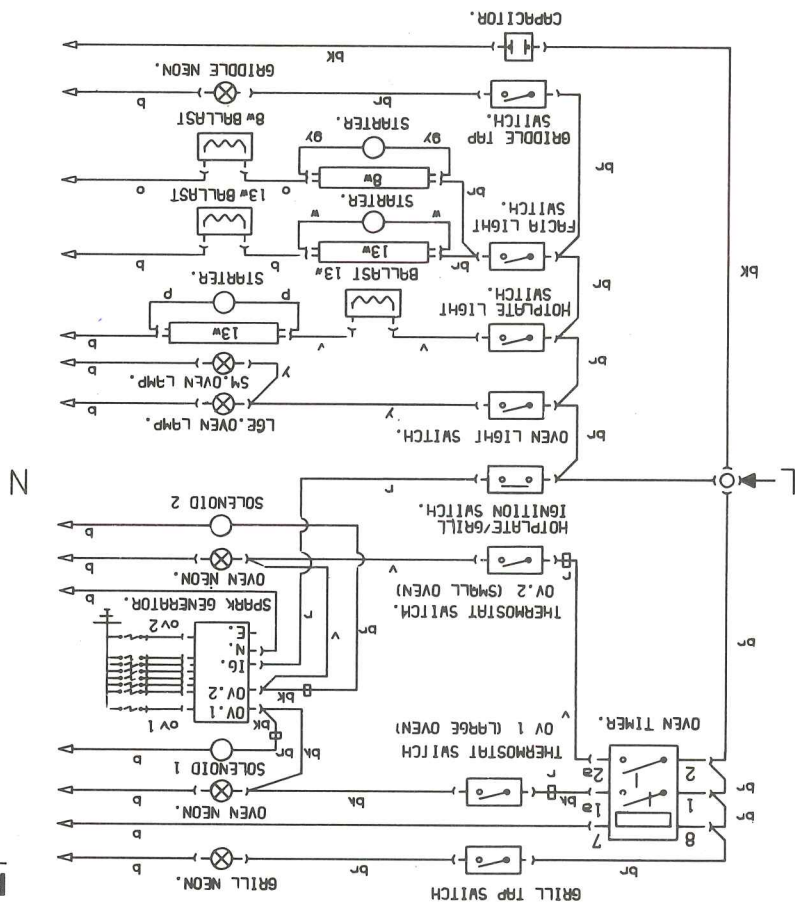
1. Remove two flanged head screws and fibre washers from underside of grill (below Timer) and carefully lower hinged electrics tray against splashback.
2. Turn starter anti-clockwise to remove.

38. ELECTRICITY SUPPLY CABLE

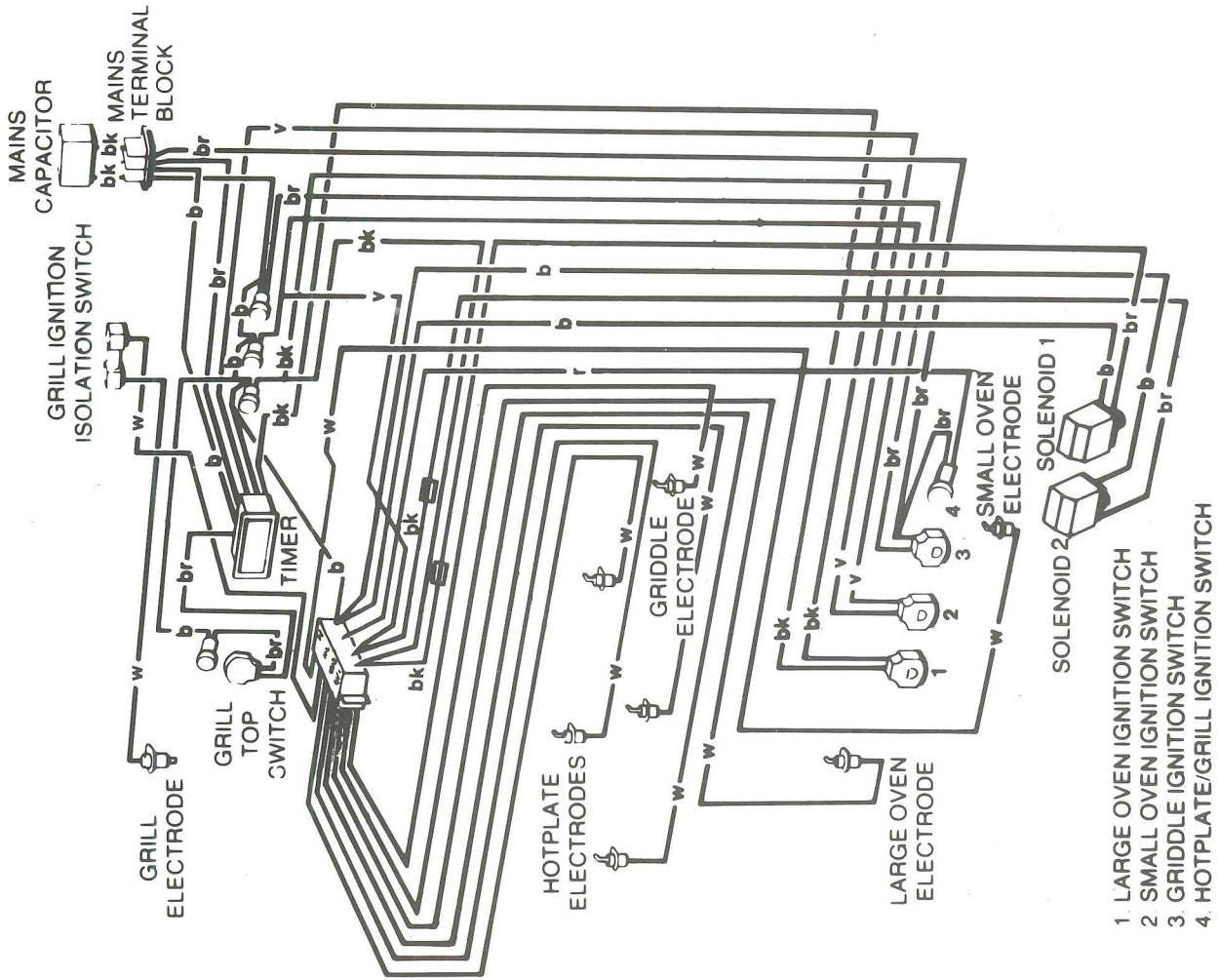
1. With cooker pulled forward, remove grill top panel, above timer, two screws and fibre washers at rear of appliance. Slide rearwards and remove.
2. Disconnect cable from terminal block and earth post. Remove cable clamp.
3. Refit in reverse.

FUNCTIONAL FLOW DIAGRAM

W	white
V	violet
b	blue
g	green
Y	yellow
o	orange
r	red
br	brown
bk	black
p	pink
gy	grey

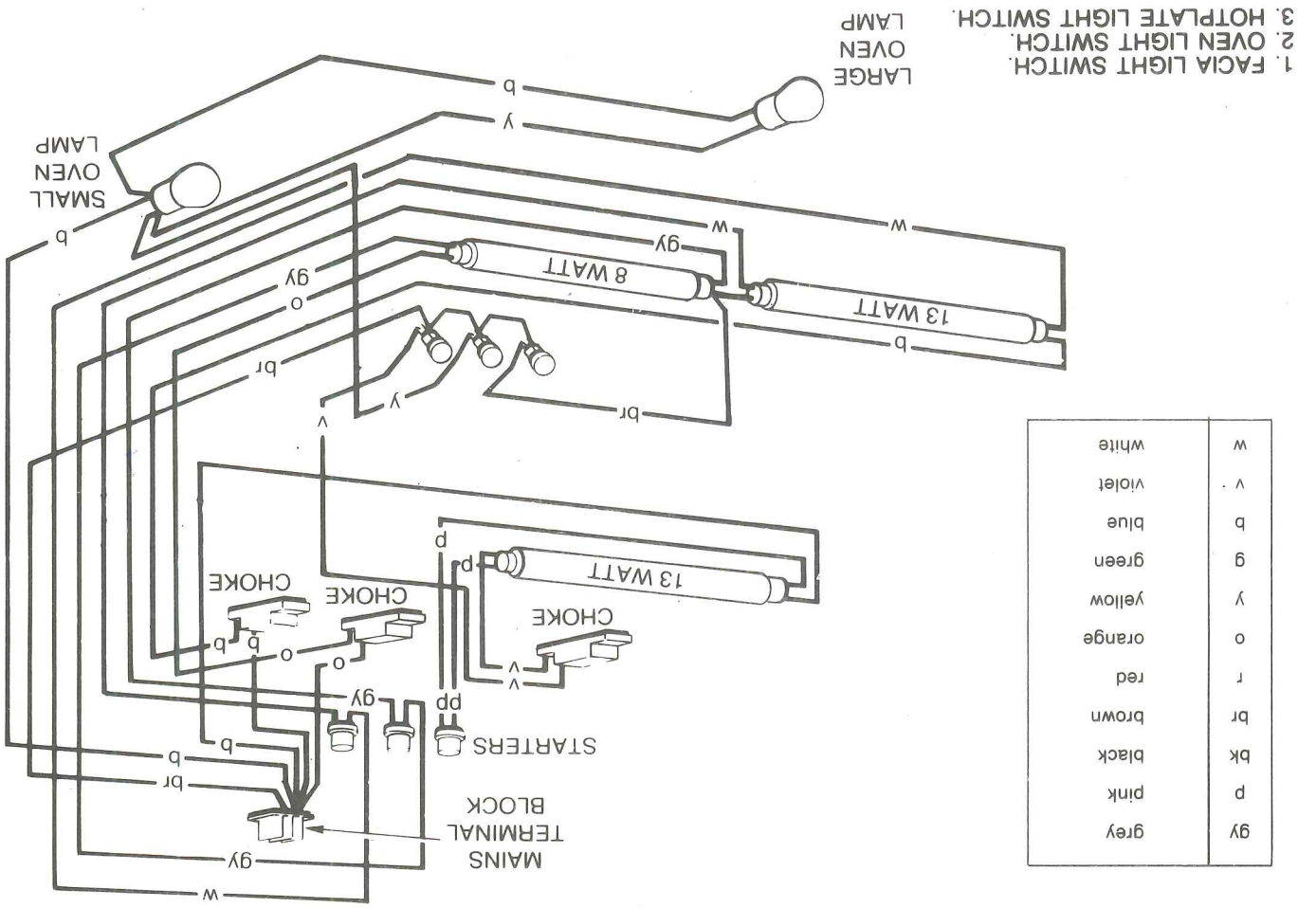


CONTROL CIRCUIT DIAGRAM



1. LARGE OVEN IGNITION SWITCH
2. SMALL OVEN IGNITION SWITCH
3. GRIDDLE IGNITION SWITCH
4. HOTPLATE/GRILL IGNITION SWITCH

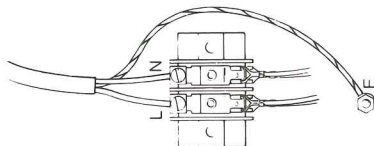
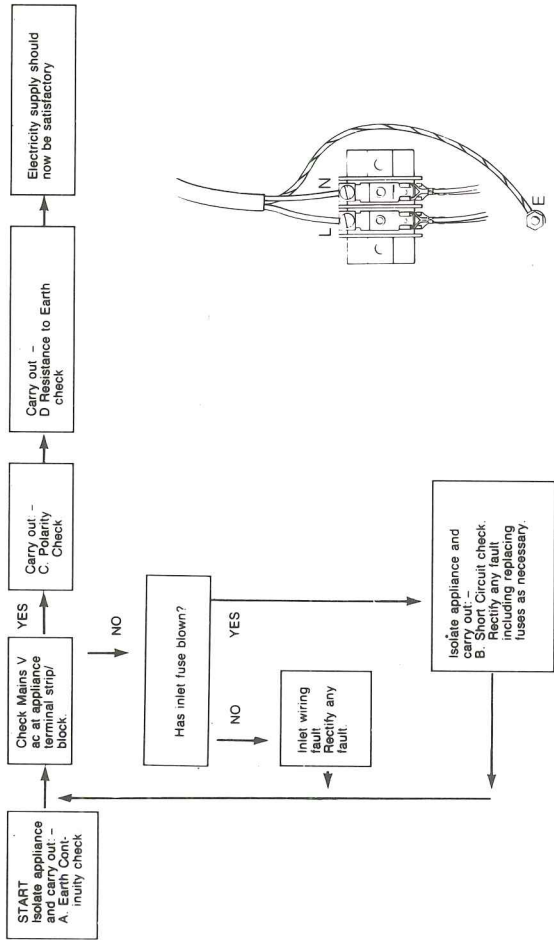
LIGHTING CIRCUIT DIAGRAM



white	w
violet	v
blue	b
green	g
yellow	y
orange	o
red	r
brown	br
black	bk
pink	p
grey	gy

1. FACIA LIGHT SWITCH.
2. OVEN LIGHT SWITCH.
3. HOTPLATE LIGHT SWITCH.

PRELIMINARY ELECTRICAL SYSTEM CHECKS

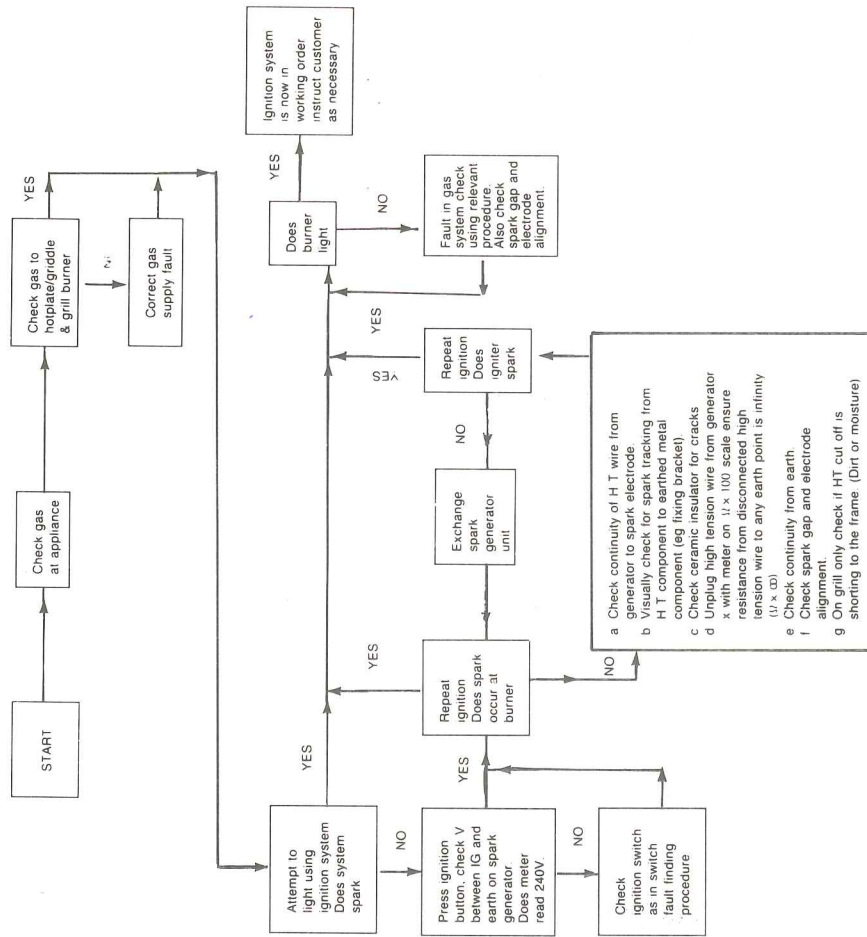


NOTE
These diagrams will assist in the diagnosis of electrical faults.
The meter referred to should be capable of measuring 240V a.c. and a resistance of 100 Ω f.s.d.

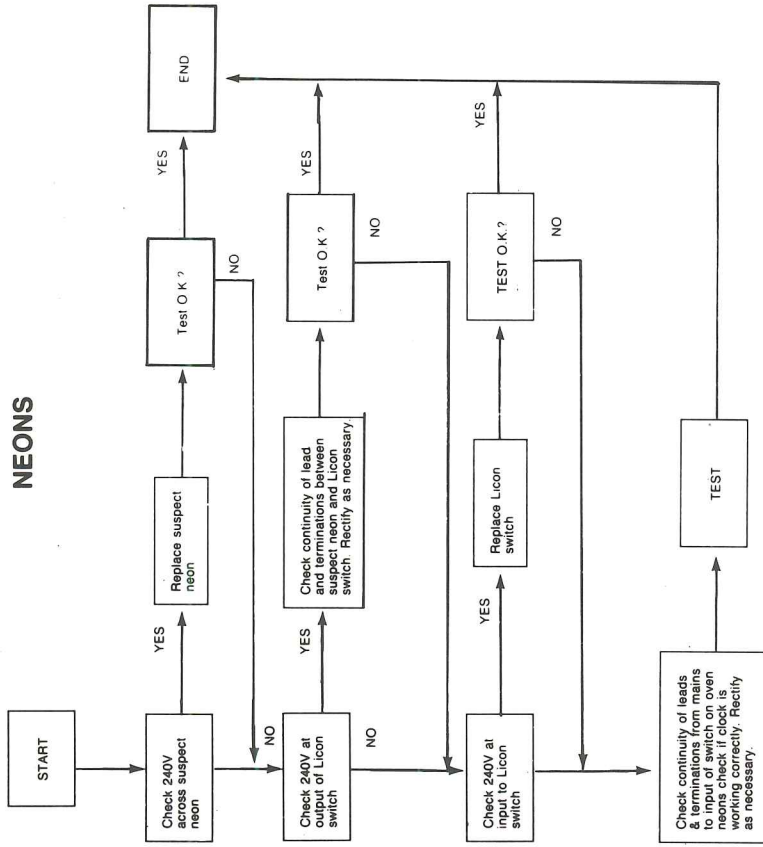
- A. EARTH CONTINUITY CHECK** - appliance must be electrically disconnected - meter set on Ω (ohms) x 1 scale and adjust to zero if necessary.
- Test leads from any appliance earth point to earth pin on plug - resistance should be less than 1 Ω (ohm).
 - If the resistance is greater than 1 Ω (ohm) check all earth wires for continuity, and all contacts clean and tight.
- If resistance of earth is still greater than 1 Ω (ohm) then this should be reported to your supervisor.
- B. SHORT CIRCUIT CHECK** - appliance electrically disconnected, all switches ON (including stats) -
- meter set on Ω (ohms) x 1 scale.
 - Test leads from L to N in appliance terminal strip/block - if meter reads 0 then there is a short circuit.
 - meter set on ∞ (ohms) x 100 scale.
 - Repeat test with leads from L to E. If meter reads less than ∞ (infinity) there is a fault.
- NOTE** - Should it be found that the fuse has failed but no fault is indicated - a detailed continuity check (i.e. by disconnecting and checking each component) is required to trace the faulty component. It is possible that a fault could occur as a result of local burning/arcing but no fault could be found under the test. However a detailed visual inspection should reveal evidence of burning around the fault.
- C. POLARITY CHECK**
Appliance connected to mains supply and meter set on 300 Vac scale. Test at appliance terminal strip: -
- Test leads from L to N - meter reads approx. 240 Vac.
 - Test leads from L to E (∞) - meter reads approx. 240 Vac.
 - Test leads from N to E (∞) - meter reads from 0.15 Vac
- Thus the terminal marked L is the live terminal. If the low Vac reading is given on terminals other than N to E (∞) there is an electrical fault.
- Repeat the test at the appliance plug/inlet spur to check the wiring system up to the appliance and rectify any fault. If necessary repeat the test at the supply system socket/spur - if the fault also occurs at this stage then there is a house system fault which requires attention by the Electricity Authority. The customer should be warned not to use the appliance until this examination has been carried out.
- D. RESISTANCE TO EARTH CHECK**
Appliance must be disconnected from mains supply and meter set on ∞ (ohms) x 100 scale. All switches, including stats, ON - test leads from L to E - if the meter reads other than infinity (∞) there is a fault which should be isolated. A detailed continuity check is required to trace the faulty component.

IMPORTANT This series of checks are the first electrical checks to be carried out during a fault finding procedure. On completion of the service/fault finding task which has required the breaking and remaking of electrical connections then the checks - A, Earth Continuity, C, Polarity and D, Resistance to Earth - must be repeated.

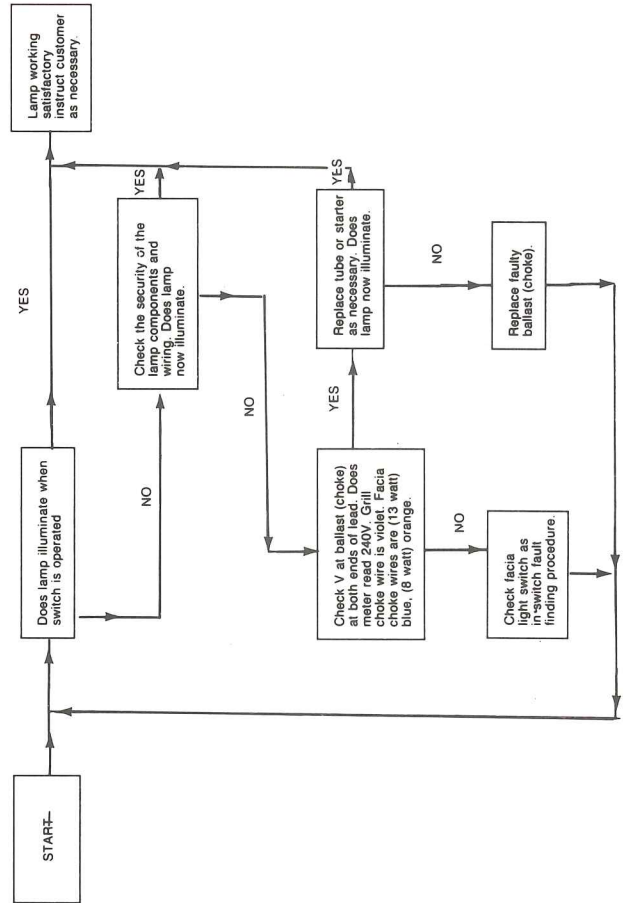
HOTPLATE/GRILL/GRIDDLE IGNITION



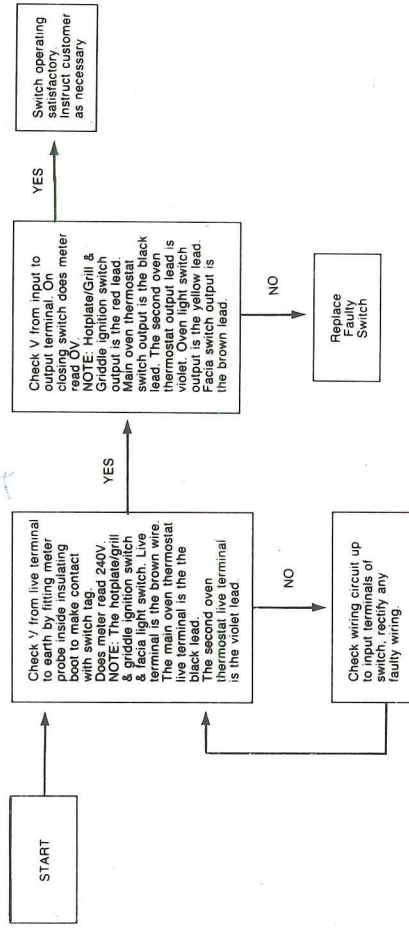
NEONS



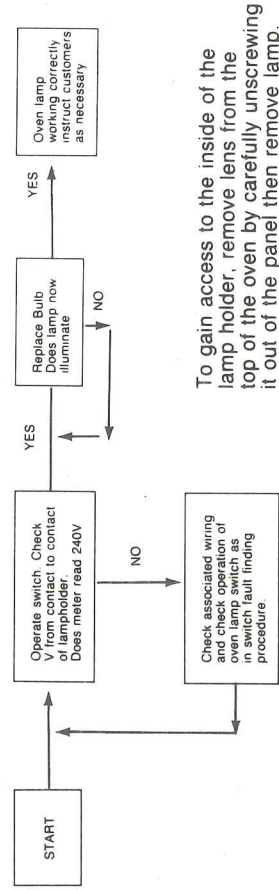
HOB & FACIA LAMPS



SWITCHES



OVEN LAMPS



To gain access to the inside of the lamp holder, remove lens from the top of the oven by carefully unscrewing it out of the panel then remove lamp.

CANNON CORDON BLEU CLASSIQUE Mk 2 - BROWN
SHORT SPARES LIST

Key No.	GC No.	Part No.	Description	Qty.
1	043 111	21985	Grill Canopy Top	1
2	043 109	22026	Grill Panel Top	1
3	043 191	21991	Grill Side Panel RH	1
4	043 112	21990	Grill Side Panel LH	1
5	043 126	22029	Grill Top Extrusion	1
6	043 124	22031	Grill Lower Extrusion	1
7	043 081	22595	Grill Door Top Trim	1
8	043 084	22443	Grill Door Handle	1
9	043 082	22411	Grill Door Glass	1
10	043 221	22596	Grill Fascia Glass Top Trim	1
11	043 128	22413	Grill Fascia Glass	1
12	043 181	22405	Splashback	1
13	043 183	22094	Side Pillar Splashback	1
14	043 182	22339	Hotplate Rear Fascia Strip	2
15	043 123	22106	Hotplate Side Extrusion RH	1
16	043 121	22107	Hotplate Side Extrusion LH	1
17	043 119	22104	Top Extrusion Hotplate Fascia	1
18	043 140	22100	Bottom Extrusion Hotplate Fascia	1
19	043 139	22401	Hotplate Fascia Glass	1
20	043 110	22365	Hotplate	1
21	043 122	22081	Side Panel RH	1
22	043 120	22080	Side Panel LH	1
23	043 154	22113	Side Panel Vertical Extrusion RH	1
24	043 153	22112	Side Panel Vertical Extrusion LH	1
25	043 178	22163	Storage Drawer Front	1
26	042 600	21401	Burner Cap	1
27	044 486	6600209	Burner Cap Disc	4
28	044 488	6600213	Support Boss Cap	1
29	044 487	6600212	Pan Support	2
30	043 149	22726	Griddle Plate	2
31	043 150	22924	Griddle Cover	1
32	043 142	22516	Control Knobs Hotplate	1
33	043 093	22039	Hotplate Taps Concentric MT/A/365	7
34	043 097	22040	Griddle Tap Concentric MT/A/234	4
35	041 360	14215	'O' Rings	1
36	386 640	22146	Thermostat (Large Oven) Diamond 'H' 110057/A1	1
37	386 641	22147	Thermostat (Small Oven) Diamond 'H' 110058/A2	8
38	392 873	19479	Grill Tap	1
39	042 201	19788	Licon Switch. Grill	1
40	384 997	22621	Licon Switch	3
41	381 929	20535	Ignition Switch	1
42	381 928	20536	Lamp Switches	3
43	042 586	20728	Switch Buttons	4
44	043 168	22407	Outer Door Glass - Large	1
45	043 169	22409	Outer Door Glass - Small	1
46	042 484	20476	Door Handle - Outer	2
47	043 161	22402	Inner Door Glass - Large	1
48	043 162	22403	Inner Door Glass - Small	1
49	043 163	14928	Inner Door Seal - Large	1
50	043 164	14937	Inner Door Seal - Small	1

CANNON CORDON BLEU CLASSIQUE Mk 2 - BROWN
SHORT SPARES LIST

Key No.	GC No.	Part No.	Description	Qty.
51	046 167	22432	Door Handle - Inner	2
52	386 642	22148	Oven Timer	1
53	043 220	22992	Buttons - Oven Timer	6
54	043 129	22530	Grill Knob	1
55	392 876	19496	Neon Lamps	4
56	043 144	22149	Fluorescent Tube (13 Watt)	2
57	042 593	20631	Fluorescent Tube (8 Watt)	1
58	381 921	20829	Starters	3
59	043 104	22853	Starter Holders	3
60	043 103	22150	Choke (13 Watt)	2
61	381 922	20632	Choke (8 Watt)	1
62	041 894	18872	Oven Lamp Bulb	2
63	397 704	24367	Spark Generator - Turnright GL 399	1
65	041 762	18360	Terminal Block HT 250E.	1
66	383 510	13736	Solenoid - Sperryn	1
67	386 645	22391	Solenoid - Sperryn	1
68	397 878	25074	Diamond H GSD 100 - 22	2
69	393 902	11803	Hotplate Electrode	4
70	384 810	14664	Griddle Electrode	1
71	384 810	14664	Oven Electrode	2
72	384 810	14664	Grill Electrode	1

CANNON CORDON BLEU CLASSIQUE Mk 2 - WHITE
SHORT SPARES LIST

Key No.	GC No.	Part No.	Description	Qty.
51	046 167	22432	Door Handle - Inner	2
52	386 642	22148	Oven Timer	1
53	043 712	27312	Buttons - Oven Timer	6
54	043 713	27313	Grill Knob	1
55	397 956	27309	Neon Lamps	4
56	043 144	22149	Fluorescent Tube (13 Watt)	2
57	042 593	20631	Fluorescent Tube (8 Watt)	1
58	381 921	20829	Starters	3
59	043 104	22853	Starter Holders	3
60	043 103	22150	Choke (13 Watt)	2
61	381 922	20632	Choke (8 Watt)	1
62	041 894	18872	Oven Lamp Bulb	2
63	397 704	24367	Spark Generator - Turmright GL 399	1
65	041 762	18360	Terminal Block HT 250E.	1
66	383 510	13736	Solenoid - Sperry	1
67	386 645	22391	Solenoid - Sperry	1
68	397 878	25074	Diamond H GSD 100 - 22	2
69	393 902	11803	Hotplate Electrode	2
70	384 810	14664	Griddle Electrode	4
71	384 810	14664	Oven Electrode	1
72	384 810	14664	Grill Electrode	2

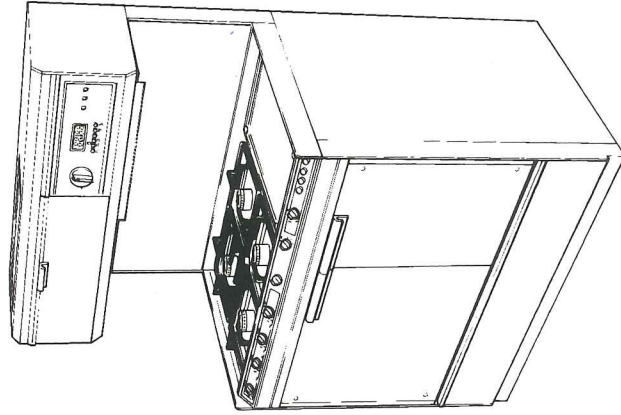
CANNON CORDON BLEU CLASSIQUE Mk 2 - WHITE
SHORT SPARES LIST

Key No.	GC No.	Part No.	Description	Qty.
1	043 680	27298	Grill Canopy Top	1
2	043 681	27297	Grill Panel Top	1
3	043 682	27294	Grill Side Panel RH	1
4	043 683	27293	Grill Side Panel LH	1
5	043 684	27281	Grill Top Extrusion	1
6	043 685	27280	Grill Lower Extrusion	1
7	043 686	27283	Grill Door Top Trim	1
8	043 687	27310	Grill Door Handle	1
9	043 688	27252	Grill Door Glass	1
10	043 689	27285	Grill Fascia Glass Top Trim	1
11	043 690	27253	Grill Fascia Glass	1
12	043 691	27254	Splashback	1
13	043 692	27276	Side Pillar Splashback	1
14	043 693	27288	Hotplate Rear Fascia Strip	2
15	043 694	27274	Hotplate Side Extrusion RH	1
16	043 695	27273	Hotplate Side Extrusion LH	1
17	043 696	27279	Top Extrusion Hotplate Fascia	1
18	043 697	27272	Bottom Extrusion Hotplate Fascia	1
19	043 698	27256	Hotplate Fascia Glass	1
20	043 699	27304	Hotplate	1
21	043 700	27301	Side Panel RH	1
22	043 701	27300	Side Panel LH	1
23	043 702	27270	Side Panel Vertical Extrusion RH	1
24	043 703	27269	Side Panel Vertical Extrusion LH	1
25	043 704	27287	Storage Drawer Front	1
26	042 600	21401	Burner Cap	1
27	044 486	6600209	Burner Cap Disc	4
28	044 488	6600213	Support Boss Cap	1
29	044 487	6600212	Pan Support	2
30	043 149	22726	Griddle Plate	2
31	043 705	27306	Griddle Cover	1
32	043 706	27311	Control Knob Hotplate	1
33	043 093	22039	Hotplate Taps Concentric MT/A/368	7
34	043 097	22040	Griddle Tap Concentric MT/A/234	4
35	041 360	14215	'O' Rings	1
36	386 640	22146	Thermostat (Large Oven) Diamond 'H' 110057/A1	8
37	386 641	22147	Thermostat (Small Oven) Diamond 'H' 110058/A2	1
38	392 873	19479	Grill Tap	1
39	042 201	19788	Licon Switch. Grill	3
40	384 997	22621	Licon Switch	1
41	381 929	20535	Ignition Switch	3
42	381 928	20536	Lamp Switches	4
43	043 714	21147	Switch Buttons	1
44	043 709	27258	Outer Door Glass - Large	1
45	043 710	27257	Outer Door Glass - Small	1
46	043 711	27314	Door Handle - Outer	2
47	043 161	22402	Inner Door Glass - Large	1
48	043 162	22403	Inner Door Glass - Small	1
49	043 163	14928	Inner Door Seal - Large	1
50	043 164	14937	Inner Door Seal - Small	1

Our policy is one of continual improvement in design and development, therefore strict accuracy of illustrations and descriptions cannot be guaranteed.

Cannon

CORDON BLEU CLASSIQUE MK 2



Installation & Maintenance Instructions

Leave these instructions with the User.

Data Badge is located behind front L.H. support pillar.
(Remove Storage Drawer for access)

A Natural Gas Appliance.

G.C. Appliance No. 11 132 94 (Brown)
11 132 95 (White)

Cannon

THE FIRST NAME IN GAS

*Creda Limited,
PO Box 5, Grindley Lane, Blythe Bridge,
Stoke-on-Trent ST11 9LI.*