

Palm grip B2



The palm grip B2 has different equipment options for many requirements. It is compatible with our multi-axis controller or mounted on hydraulic drives. The palm grip has a highly flexible cable (8 x 0,25 mm², 450 mm long). He can be tilted in any direction by 20 degrees and can lock in this position. The mounting piece can be supplied with a tapped hole M10 (standard) or M8.



Technical data

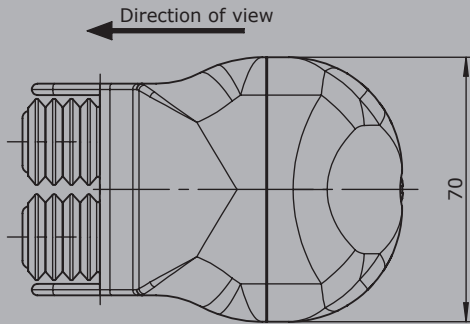
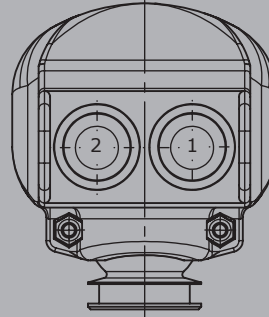
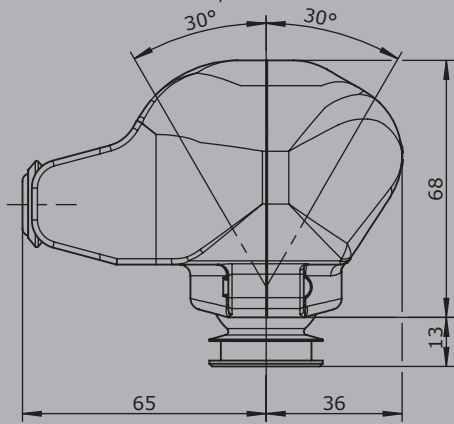
Operating temperature	-40°C to +85°C
Degree of protection	IP54
Contact complement	1,5A 24 V DC13 (*1 0,1A 24 V DC13)

		B2	Example -2D	PA15	-X
Basic unit					
B2	Palm grip				
Digital actuating element					
D	Push button KDA/70				
D	Push button KDA21 *1				
	Colour: red, black, yellow, green, blue, white, orange				
A15	2 push button Pos. 1 + 2 interlocked				
Analog actuating element					
PA15	Push button analog Pos. 1 + 2				
	2 potentiometer T301 2 x 5 kOhm with direction contacts				
Special model					
X	Special / customer specified				

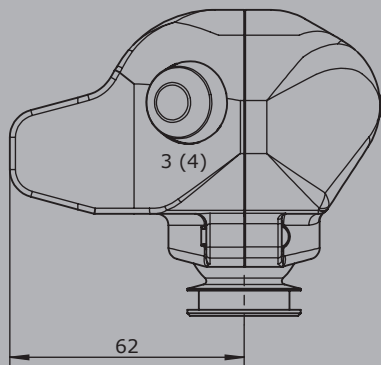


B2

Edition:
Pusher installed Pos. 1,2



Edition:
Push button KDA / 70
installed Pos. 1,2,3,4



Edition:
Push button KDA 21
installed 1,2,3,4

