

# Palm grip B10



The palm grip B10 has different equipment options for many requirements. It is compatible with our double-handle controller or mounted on hydraulic drives. The palm grip has a highly flexible single wire (0,1 mm<sup>2</sup>, 450 mm long). The mounting piece for the drive rod can be supplied with a tapped hole 10 mm.

### Technical data

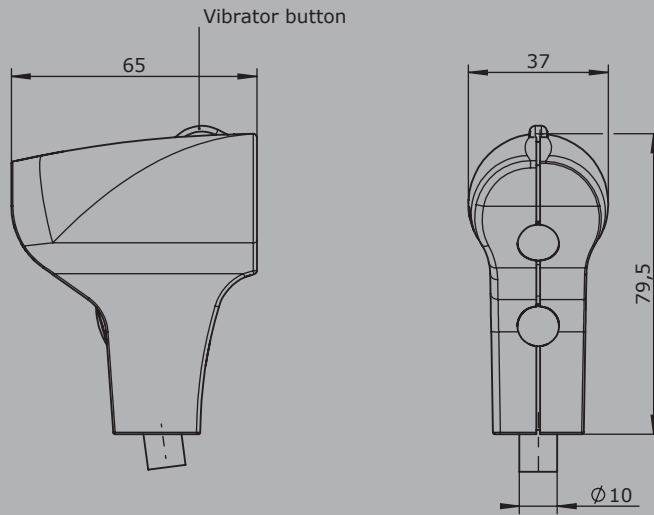
Operating temperature	-40°C to +85°C
Degree of protection	Control element up to IP67
Contact complement	1,5A 24 V DC13 (*1 0,1A 24 V DC13)



		B10AL	-3D	W	V	-X
<b>Basic unit</b>						
B10L	Palm grip left					
B10R	Palm grip right					
B10AL	Palm grip left with growing part					
B10AR	Palm grip right with growing part					
<b>Digital actuating element</b>						
D	Push button KDA21 *1 Colour: red, black, yellow, green, blue, white, orange					
W*	Rocker switch T-0-T					
W*	Rocker switch 0-T					
W*	Rocker switch R-0-T					
W*	Rocker switch R-0-R					
W*	Rocker switch 0-R					
W*	Rocker switch R-R					
<i>*Only possible with version with attachment!</i>						
V	Vibration pulse 24V DC ED 100%					
<b>Special model</b>						
X	Special / customer specified					

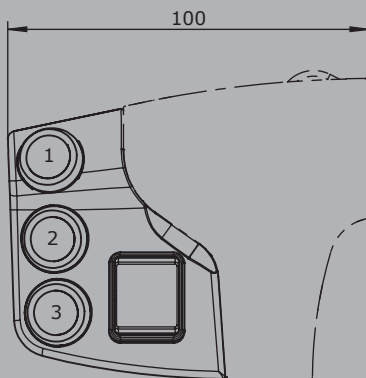


## B10



## B10A

Edition installed left:  
Push button installed Pos. 1,2,3  
Rocker switch



Edition installed right:  
Push button installed Pos. 4,5,6  
Rocker switch

