

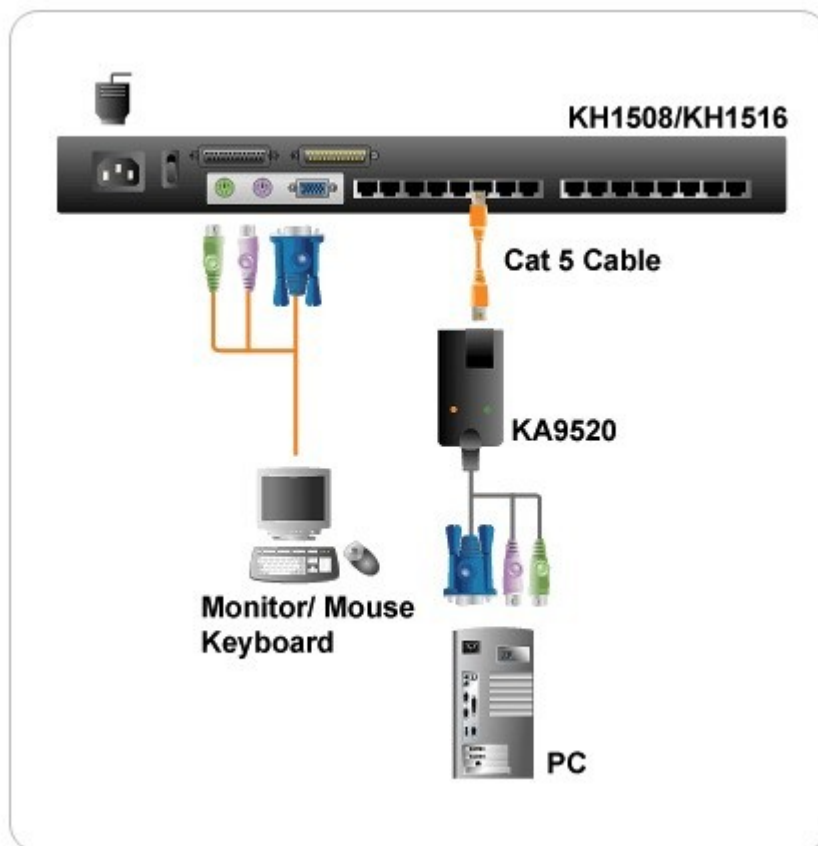
## Moduł PS/2 CPU do KH-1508/1516



**Moduł do podłączenia CPU PS/2.**



## Diagram:



## Specyfikacja:

Connectors	Link	1 x RJ-45 Female
	Mouse to computer	1 x Min Din 6 Male
	Keyboard to computer	1 x Min Din 6 Male
	VGA to computer	1 x HDB-15 Male
LEDs	On Line	1 (Green)
	Link	1 (Orange)
Physical Properties	Housing	Plastic
	Weight	120 g
	Dimensions ( L x W x H )	9 x 4.3 x 2.3 cm