

POTENTIOMETER SPECIFICATIONS

- | | |
|--------------|----------------------------------------------------------------------------------------------------------------------|
| 1. Model No. | 22HPM-10E, SDA10-24-6.5 with dust proof special adapter |
| 2. Mechanism | Wirewound resistive element,
10 - turn potentiometer
with digital multi-turns counting dial (adapter) |

MECHANICAL PERFORMANCES


- | | |
|------------------------------------|----------------------------------------------------|
| 3. Outer appearance and dimensions | As per attached drawing No. 242-10504-2 |
| 4. Mechanical rotating angle | 3,600° ^{+10°}_{0°} |
| 5. Starting torque | Below 36mN·m(360gf·cm)[After mounting dial] |
| 6. Stopper strength | 0.35N·m (3.5kgf·cm) |

ELECTRICAL PERFORMANCES (Specs. of potentiometer)

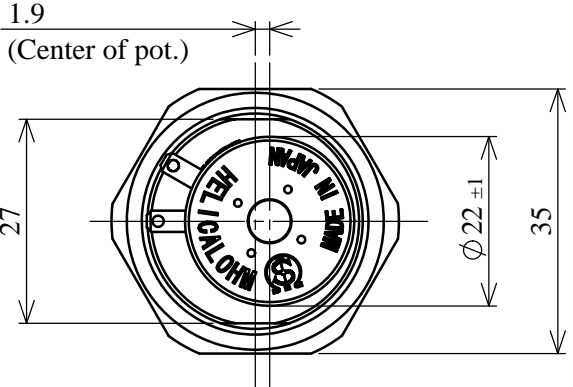
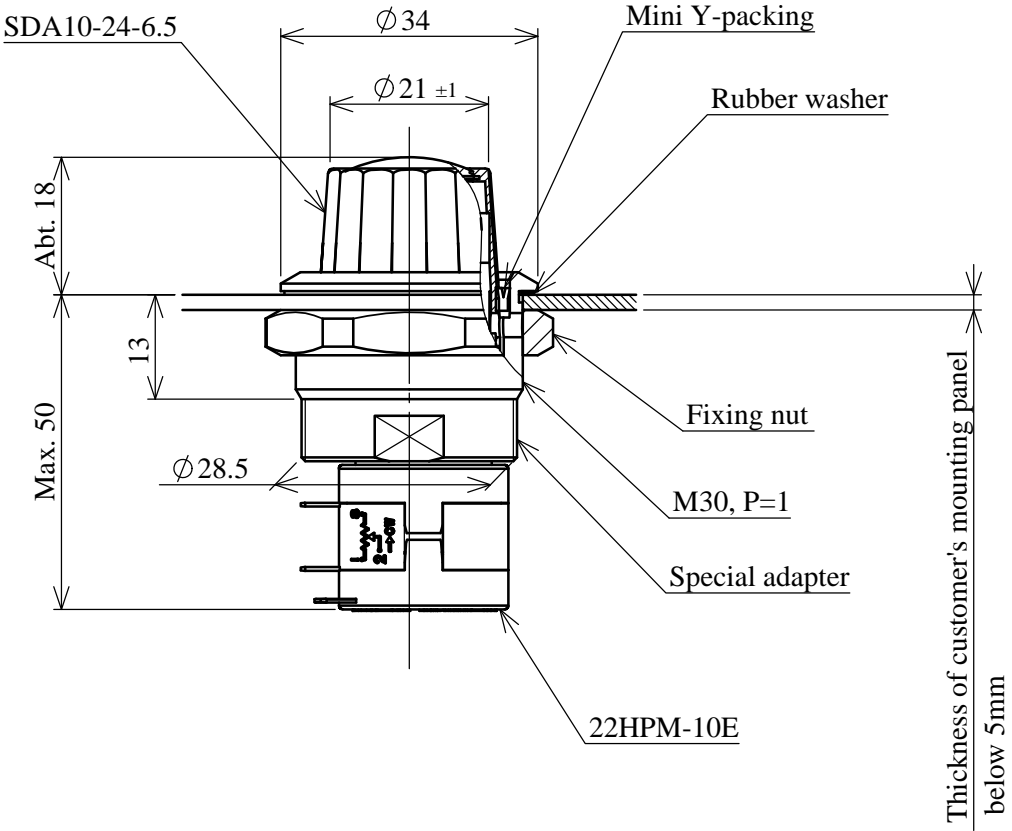
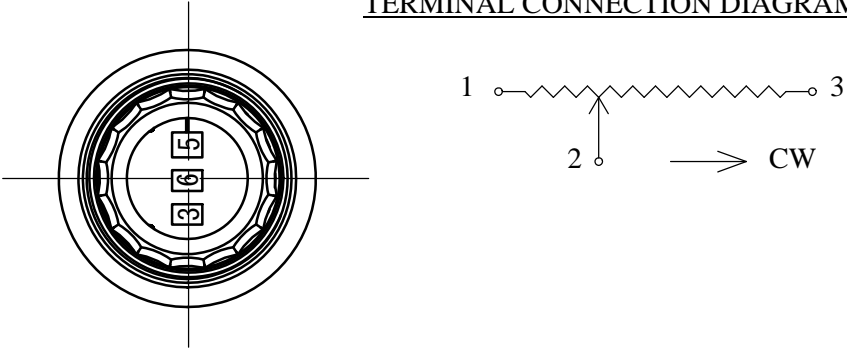
- | | |
|------------------------------------------------|------------------------------------------------|
| 7. Total resistance value | 2kΩ ±5% |
| 8. Independent linearity tolerance | ±0.25 % |
| 9. Electrical rotating angle | 3,600° ± 5° |
| 10. Power rating | 2 W |
| 11. Noise | Below 100 Ω E. N. R. |
| 12. Insulation resistance | Over 1,000 MΩ at 500 V. D. C. |
| 13. Dielectric strength | 1 minute at 1,000 V. A. C. |
| 14. Resistance temperature coefficient of wire | ±20 p. p. m. / °C |
| 15. Terminal connection diagram | As per attached drawing No. 242-10504-2 |

OTHERS

- | | |
|-------------------------------------------------|------------------------------------------------------------------------------------------------------------------------------------------------------------------------------------------------------------|
| 16. Operating temperature range | -30°C~+85°C |
| 17. Rotational life expectancy | 1,000,000 shaft revolutions
(<i>This item shows life expectancy shall be based on test conditions under which shaft shall be turned at the speed of 40 r.p.m. in normal room temperature.</i>) |
| 18. SDA10-24-6.5 wit dust proof special adapter | |

SYM.	DATE	DESCRIPTION	APPD.	DESIGNED	DRAWN	CHECKED	APPROVED	TITLE
				S.R	J.T	M,Y	M,Y	MODEL NO. SDA10-24-6.5+22HPM-10E
				DATE DEC. 13, 2013	3RD ANGLE PROJECTION			DWG. NO. 242-10504-1
				 SAKAE TSUSHIN KOGYO CO., LTD. KANAGAWA JAPAN				SCALE / NTS. UNITS mm SHEET 1 OF 2

TERMINAL CONNECTION DIAGRAM



SYM.	DATE	DESCRIPTION	APPD.	DESIGNED	DRAWN	CHECKED	APPROVED	TITLE
				S.R	J.T	M,Y	M,Y	MODEL NO. SDA10-24-6.5+22HPM-10E
				DATE DEC. 13, 2013	3RD ANGLE PROJECTION		DWG. NO.	242-10504-2
				SAKAE TSUSHIN KOGYO CO., LTD. KANAGAWA JAPAN			SCALE 1 / 1 NTS.	UNITS mm SHEET 2 OF 2