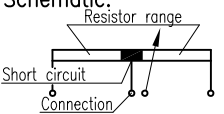
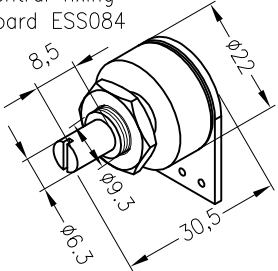
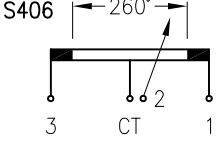
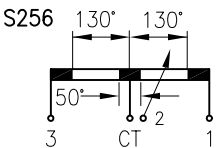
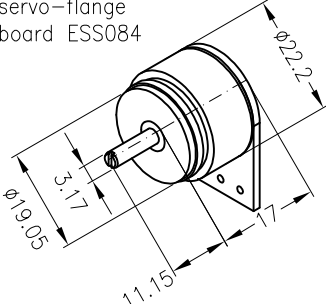
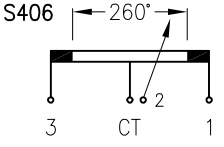
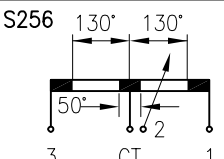
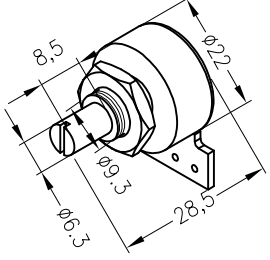
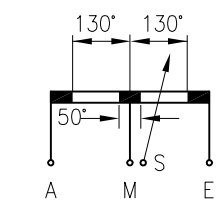
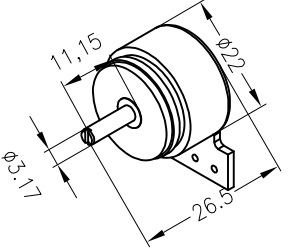
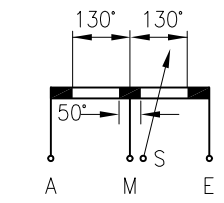
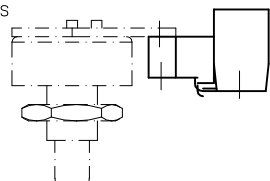


**Note for the application of conductive potentiometers:**

\* application of potentiometer as voltage divider without wiper load

\* recommended operational current in wiper circuit =  $0,1 \mu\text{A}$  \* maximal power rating  $0,5 \text{ W}/40 \text{ }^\circ\text{C}$ \* maximal wiper current at failure  $1 \text{ mA}$  \* maximal voltage supply  $U_{\text{max}}(V) = \sqrt{P(W) \times R(\Omega)}$ , max.  $40 \text{ V}$ 

Common: mechanical life: 10 mio. cycles resistance tolerance $\pm 20 \%$ with centre tap	Schematic: 	Ohmic value	Type	Spobu Id.Nr.	EUR	additional price for coupling EUR				
						ST0 ST1	M0 VCS0	CS1	VNS0 NNS0 VNS2	NS3
Version G...: central fixing board ESS084 	S406 	5 k	G5	20513						
	S256 	5 k-0-5 k	G55	20514						
Version B...: servo-flange board ESS084 	S406 	1 k 5 k 10 k	B1 B5 B10	20507 20508 20509						
	S256 	1 k-0-1 k 5 k-0-5 k 10 k-0-10 k	B11 B55 B1010	20510 20511 20512						
Version M...: central fixing integrated connection board 	SM7206-30 	5 k-0-5 k	M55	23377						
Version M...: servo-flange integrated connection board 	SM7206-30-S 	5 k-0-5 k	M55S	30929						
4-pole, case GG with plug ST for above mentioned potentiometers 	GG=MSTBA 2,5/4-G ST=MSTBT 2,5/4-ST		accessory type -K			additional price EUR				

