



## 19" Three Parts Sliding Rail Type Tray

## 19" Three parts Sliding Rail Type Tray Structure Drawing

Material:Tray(SPCC1.5mm)

Drawer(SPCC1.2mm)

Handle ( $\phi$  10mm)

Keyboard shelf (SPCC1.2mm)

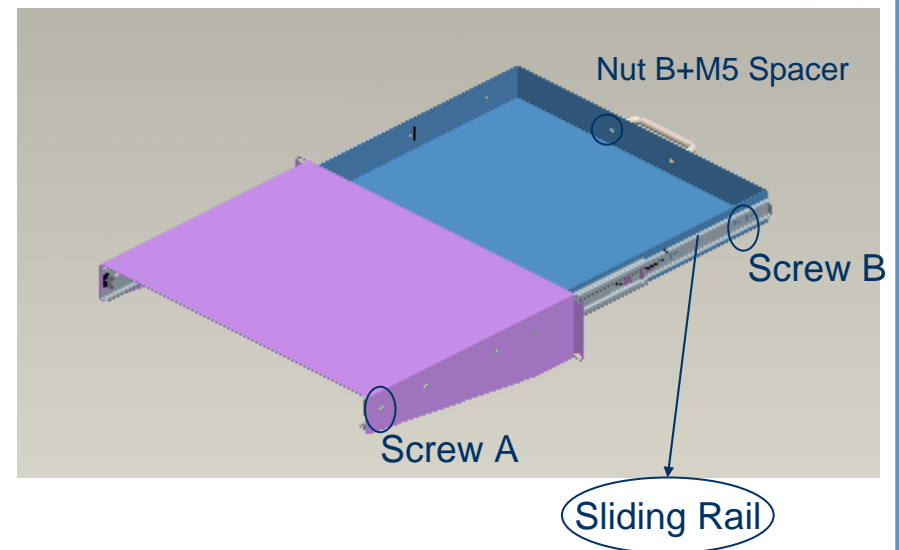
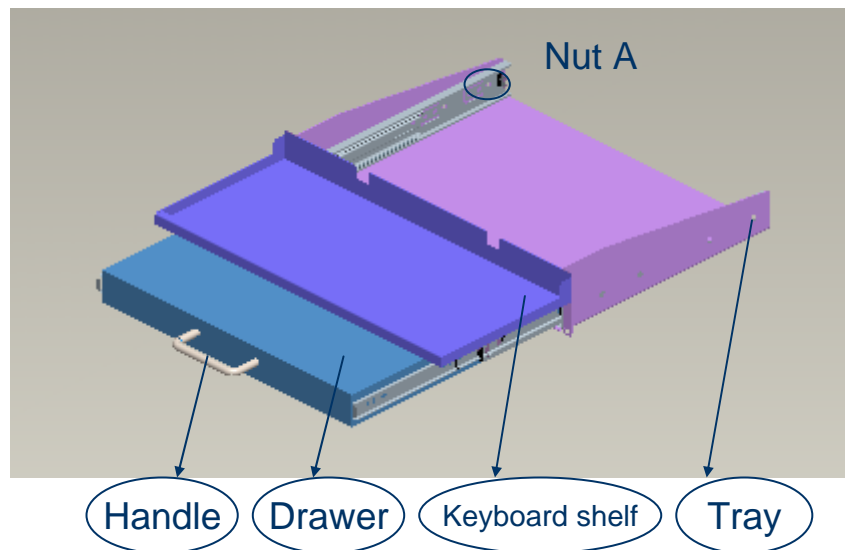
Screw A : flat-head M5\*L5.5mm-8pcs

Screw B : Round-head M4\*L5.5mm-6pcs

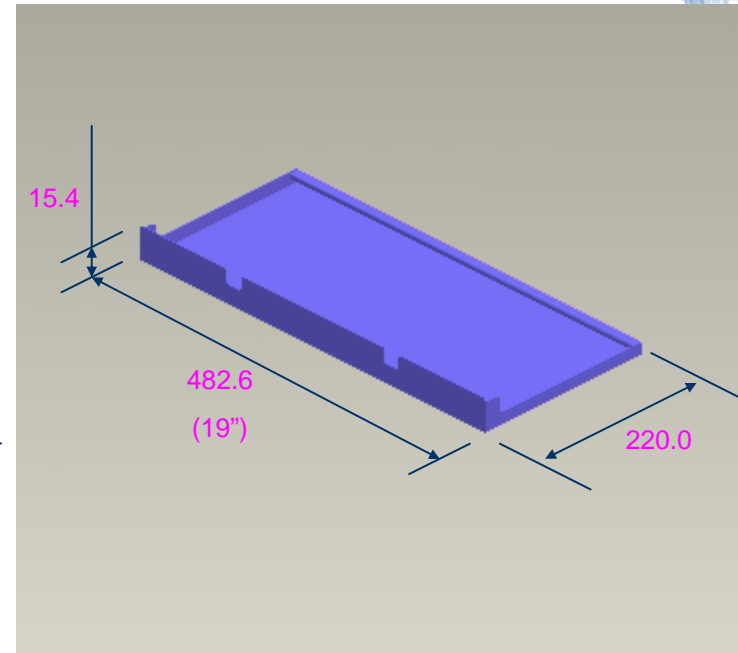
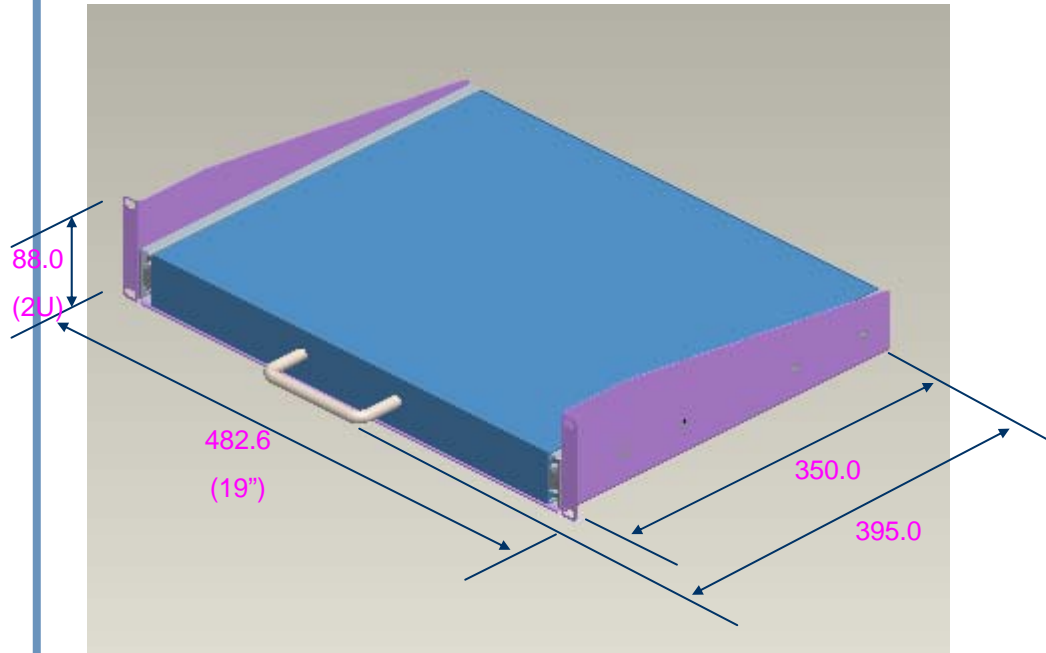
Nut A : Hexagon M5\*L2.5mm-8pcs

Nut B : Hexagon M5\*L5.0mm-2pcs

Spacer : M5\*L1.0mm

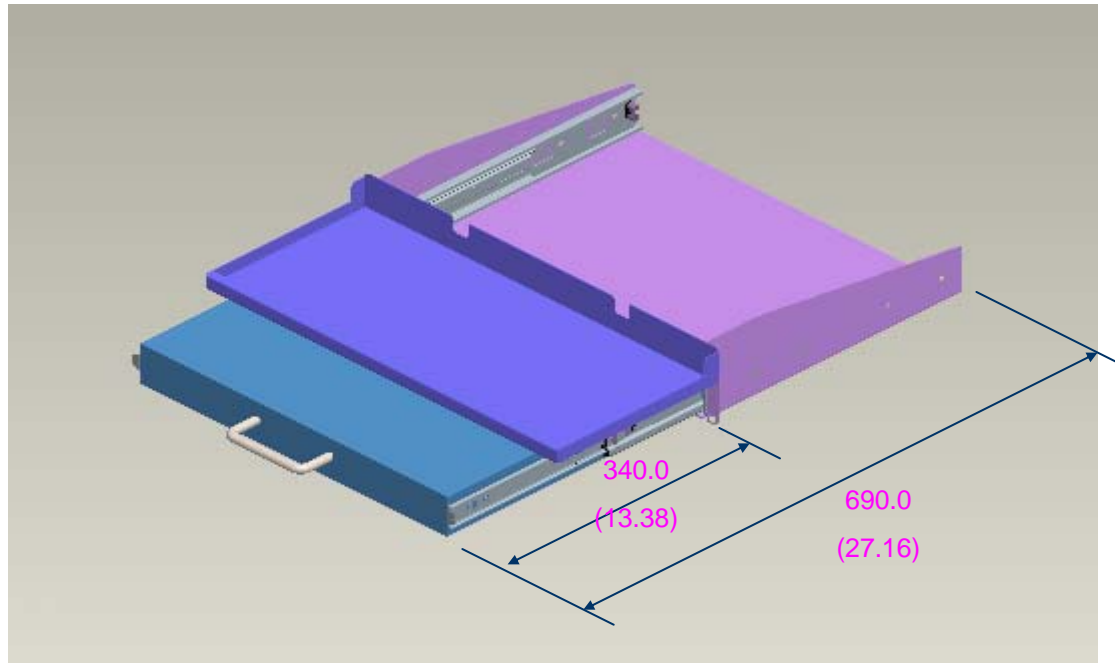


# 19" Three parts Sliding Rail Type Tray Dimensions



Unit: mm  
(in)

# 19" Three parts Sliding Rail Type Tray for pulled out



Unit: mm  
(in)

## 19" Three parts Sliding Rail Type Tray Different ways of putting



(Drawer Close)

(Drawer open 3/2)

(Drawer open totally)

