



## Features

- High grade, long life
- Single and dual gang
- Assortment of resistance tapers
- Tracking error within  $\pm 3$  dB
- 45 mm and 60 mm sizes
- Wide operating temperature range

## Applications

- Professional mixing consoles
- Professional outboard gear

# PTS Series High Grade Slide Potentiometer

### Electrical Characteristics

Standard Resistance Range .....1K ohms to 1 megohm  
 Standard Resistance Tolerance ..... $\pm 20$  %  
 End Resistance .....1 ohm max.  
 Insulation Resistance @ 500 VDC .....100 megohms min.  
 Dielectric Withstanding Voltage .....1000 VAC  
 Tracking Error ..... $\pm 3$  dB  
 Standard Taper .....Linear, Audio  
 Power Rating  
 Linear .....0.5 watt  
 Audio .....0.25 watt  
 Slider Noise .....60 mV max.

### Environmental Characteristics

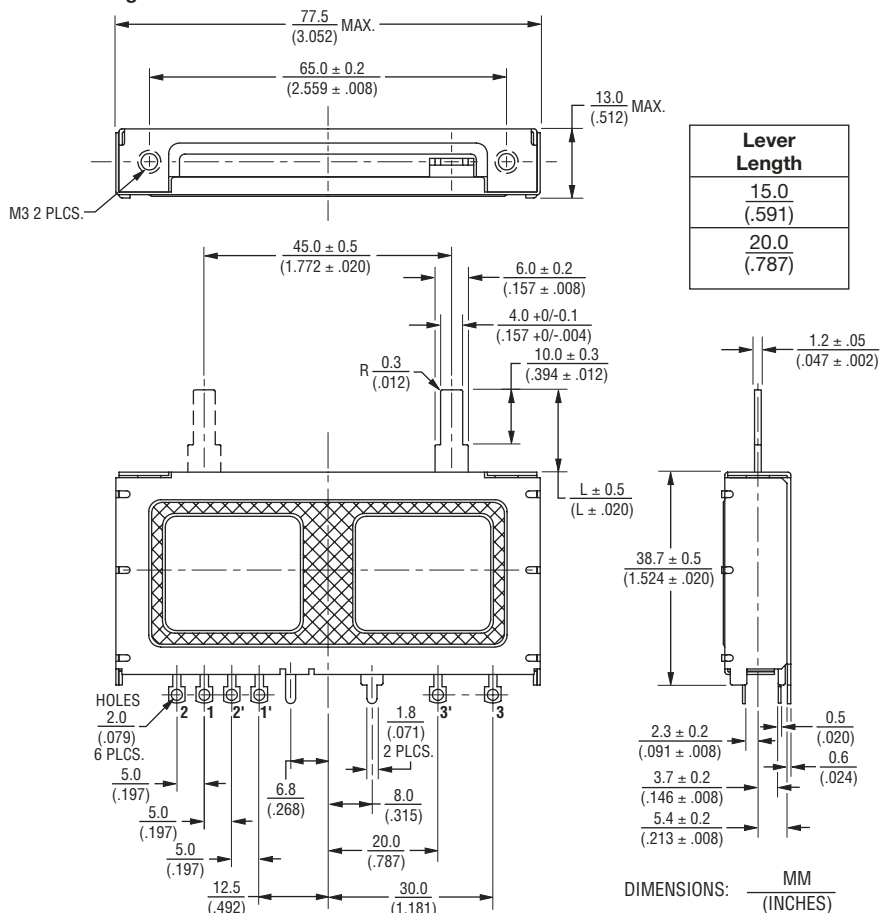
Operational Life.....100,000 cycles  
 TR Shift..... $\pm 15$  %  
 Operating Temperature Range .....-10 °C to +55 °C  
 Resistance to Solder Heat ..... $\pm 5$  %

### Mechanical Characteristics

Mechanical Travel.....Length  $\pm 0.5$  mm  
 Operating Force .....60 gf  
 Stop Strength .....5 kgf min.  
 Shaft Axial Force .....10 kgf min.  
 Shaft Wobble.....2(2 x L/25) mm p-p max.  
 Soldering Condition  
 Manual.....300 °C  $\pm 5$  °C for 3 sec.  
 Wave .....260 °C  $\pm 5$  °C for 5 sec.  
 Wash .....Not recommended

### Product Dimensions

#### 45 mm Length of Travel



### Standard Resistance Table

Resistance (Ohms)	Resistance Code
1,000	102
2,000	202
5,000	502
10,000	103
20,000	203
50,000	503
100,000	104
200,000	204
500,000	504
1,000,000	105

### How To Order

**PTS 45-0 2 L-103 B2**

Model Number Designator  
 PTS = High Grade Slide Potentiometer

Length of Travel  
 45 = 45 mm  
 60 = 60 mm

Detent Option  
 0 = No Detent

No. of Gangs  
 1 = Single Gang  
 2 = Dual Gang

Mounting Type  
 L = Solder Lugs  
 P = PC Pins

Resistance Code  
 (See Standard Resistance Table)

Resistance Taper (See Taper Charts)  
 Taper Series followed by Curve Number



Sensors & Controls Division

#### Asia-Pacific:

TEL +886-2 25624117  
 FAX +886-2 25624116

#### Europe:

TEL +41-41 7685555  
 FAX +41-41 7685510

#### The Americas:

TEL +1-951 781-5500  
 FAX +1-951 781-5700

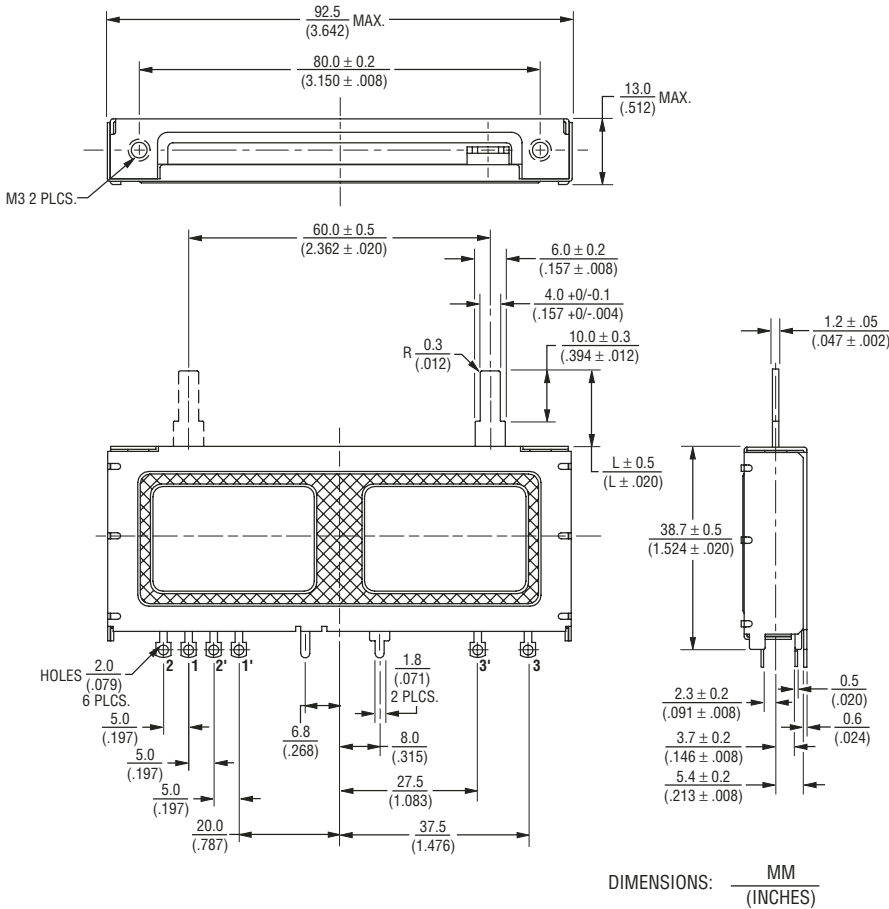
[www.bourns.com](http://www.bourns.com)

# PTS Series High Grade Slide Potentiometer

**BOURNS®**

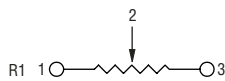
## Product Dimensions

### 60 mm Length of Travel

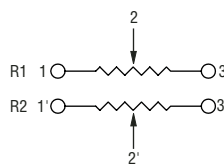


## Schematics

### Single Gang



### Dual Gang



## Tapers

