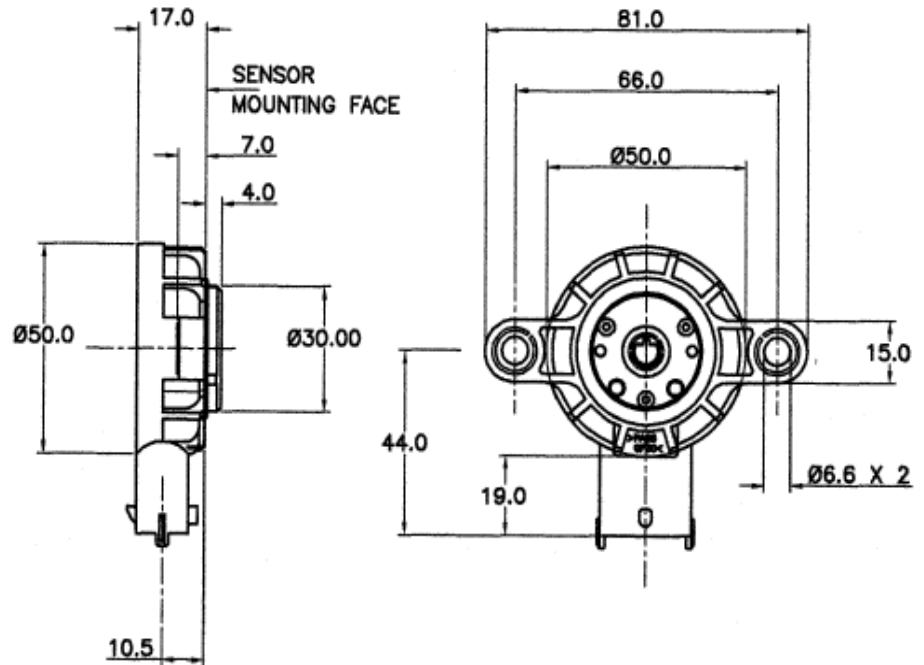


Large Angle Sensor



A Large Angle Sensor with floating wiper system, bulkhead seal and integral connector. Applications in Transmission, wheel Angle and general sensing applications up to a 350° electrical angle

Resistance Value	4K ohm track, wiper protection resistance nom 25% of track
Tolerance	+/- 20%
Independent Linearity	+/- 2% measured between 5% and 95% of applied voltage
Output Signal Temp Coeff.	< 25 ppm / °C max.
Operating Temperature	-40 °C to + 150 °C
Isolation Voltage	500 V a.c. r.m.s.
Hysteresis	<0.3%
Electrical Angle	350° standard, optional down to 60°
Mechanical Angle	360° continuous rotation
Endurance	50 X 10 ⁶ cycles