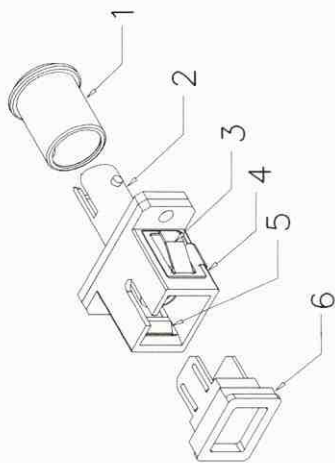
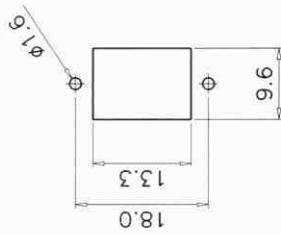


1 2 3 4 5 6



SCALE 1/1



SUGGESTED PANEL CUTOUT

Specification :

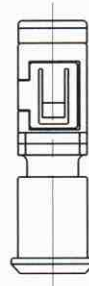
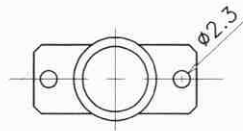
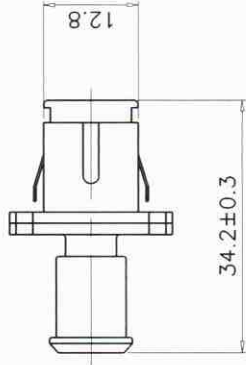
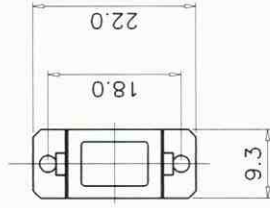
Material :

- 1. ST Dust Cover : PVC, Black color.
- 2. ST Housing : PBT, UL 94V-0, Ivory color.
- 3. Clip : Stainless.
- 4. SC Housing : PBT, UL 94V-0, Ivory color.
- 5. Holder : PBT, UL 94V-0, Ivory color.
- 6. SC Dust Cover : PP, Black color.

Adaptor Type :

- a. ST to SC Simplex Type, Multimode.
- b. Sleeve : Phosphor Bronze.
- c. Operation Temperature : -20°C to +70°C.
- d. Durability : 500 cycles.
- e. Tensile Strength : 10 kgf.
- f. Insertion Loss : <0.3 dB.

A B C D



GENERAL TOLERANCE OF DIMENSIONS  
 X.XXX +/-0.005  
 X.XX +/-0.05  
 X.X +/-0.1

DRAWING	20.MAY.2005	Michelle
CHECK	20.MAY.2005	YTY
APPROVAL	20.MAY.2005	YTY

SCALE	1/1 (A4)	UNIT	mm	NAME	ITEM NO.: FIBER SC-ST I MM
DRAWING NO.			DES: ST to SC Adaptor - Simplex Type MM		
DRAWING CLASSIFICATION			FIBER SC-ST I MM		
SHEET			1 OF 1		

**meditronik**



10cm

6

5

4

3

0

2

1

A B C D