

Special Specifications Available

Special Knob Shapes

Type 101
Push-button knob
($\varnothing 23 \times 50L$)



Fixable to type 40JB, 40JE, 50JA and 60JB (switch incorporated inside the knob)

Type 102A
Push-button knob
($\varnothing 30 \times 68L$)



Fixable to type 50JC, (switch incorporated inside the knob)

Type 103
Push-button knob
($\varnothing 16 \times 30L$)



Fixable to type 50JA, (switch mounted outside the housing)

Type 104
Push-button knob
($\varnothing 19 \times 45L$)



Fixable to type 30JB and 30JE (switch incorporated inside the knob)

Type 201
Grip-knob ($\varnothing 32 \times 55L$)



Fixable type 50JA and 50JC

Type 202
Grip-knob ($\varnothing 20 \times 37L$)



Fixable type 50JA and 60JB

(Note) There are 2 types of switches for push-button knob: Momentary type (standard) and Alternate type (special). "L" means length of knob in mm.

Type 301
Rotary-knob ($\varnothing 23 \times 55L$)



Fixable to type 50JA and 60JB

Type 302
Rotary-knob ($\varnothing 30 \times 55L$)



Fixable to type 50JA and 60JB

Type 303
Rotary-knob ($\varnothing 16 \times 30L$)



Fixable to type 50JA-ZZ with spring/return device

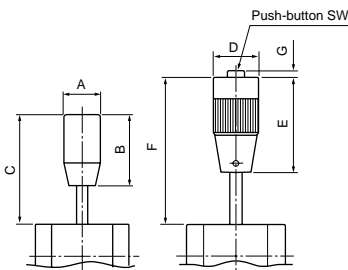
Type 304
Rotary-knob ($\varnothing 18 \times 26L$)



Fixable to type 30JB and 30JE

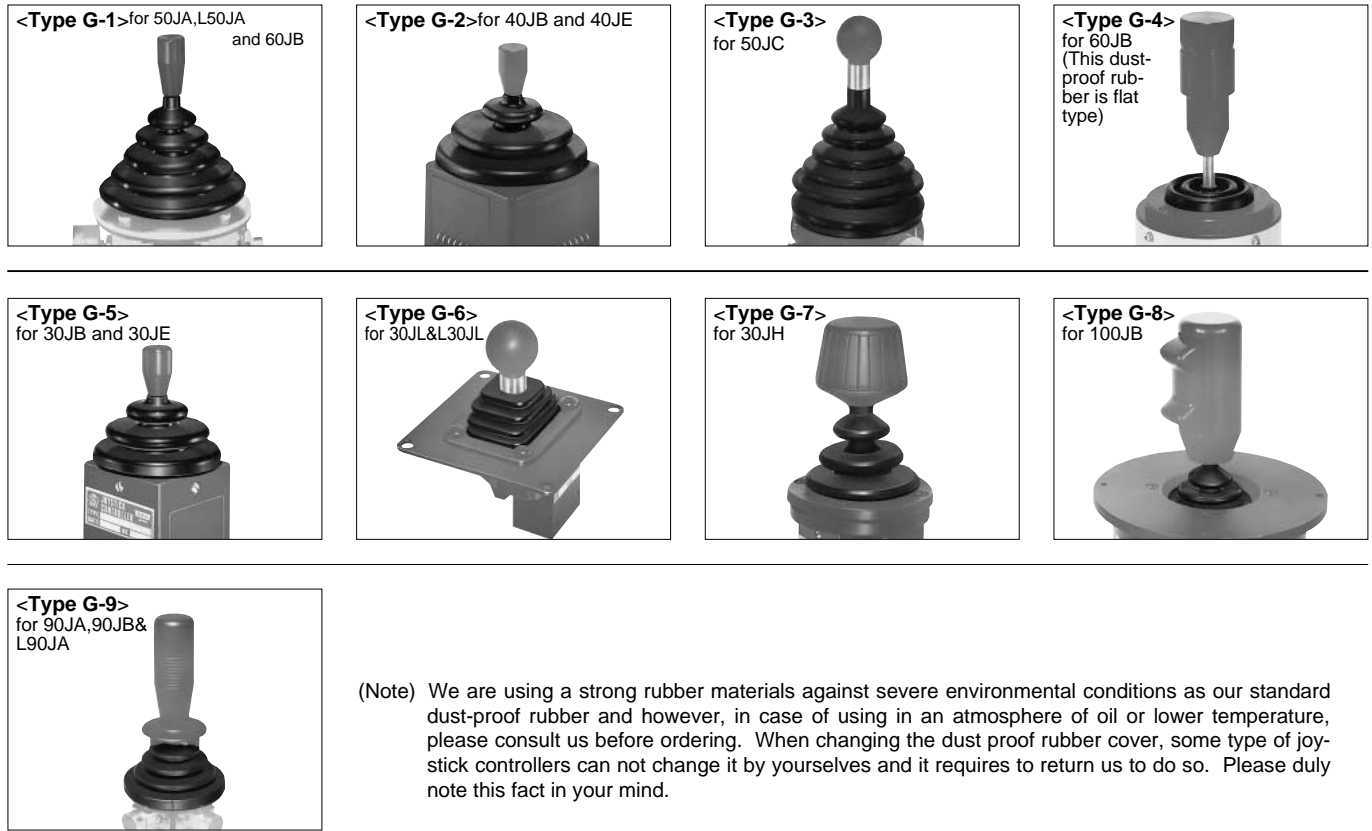
Detailed Dimensions of Special Shape Knob

Special Shape Knob	Fixable Joystick Controllers' Series										
	Dimensions	30JB, JE		40JB, JE		50JA		50JC		60JB	
		Without rubber cover	With type G5 rubber cover	Without rubber cover	With type G2 rubber cover	With rubber cover	With type G1 rubber cover	With rubber cover	Without rubber cover	With type G1 rubber cover	
Type (101)	D	—	—	$\phi 23$	$\phi 23$	$\phi 23$	$\phi 23$	—	$\phi 23$	$\phi 23$	
	E	—	—	50	50	50	50	—	50	50	
	F	—	—	Abt. 74	Abt. 74	Abt. 77	Abt. 102	—	Abt. 82	Abt. 101	
	G	—	—	Abt. 3	Abt. 3	Abt. 3	Abt. 3	—	Abt. 3	Abt. 3	
Type (102A) (with rubber cover)	D	—	—	—	—	—	—	$\phi 30$	—	—	
	E	—	—	—	—	—	—	68	—	—	
	F	—	—	—	—	—	—	Abt. 127	—	—	
Type (103)	D	—	—	—	—	$\phi 16$	$\phi 16$	—	—	—	
	E	—	—	—	—	30	30	—	—	—	
	F	—	—	—	—	Abt. 57	Abt. 83	—	—	—	
	G	—	—	—	—	Abt. 3	Abt. 3	—	—	—	
Type (104)	D	$\phi 19$	$\phi 19$	—	—	—	—	—	—	—	
	E	45	45	—	—	—	—	—	—	—	
	F	Abt. 57	Abt. 67	—	—	—	—	—	—	—	
	G	Abt. 4	Abt. 4	—	—	—	—	—	—	—	
Type (201)	A	—	—	—	—	$\phi 32$	$\phi 32$	$\phi 32$	—	—	
	B	—	—	—	—	55	55	55	—	—	
	C	—	—	—	—	Abt. 82	Abt. 106	Abt. 132	—	—	
Type (202)	A	—	—	—	—	$\phi 20$	$\phi 20$	—	$\phi 20$	$\phi 20$	
	B	—	—	—	—	37	37	—	37	37	
	C	—	—	—	—	Abt. 58	Abt. 82	—	Abt. 63	Abt. 81	
Type (301)	A	—	—	—	—	$\phi 23$	$\phi 23$	—	$\phi 23$	$\phi 23$	
	B	—	—	—	—	55	55	—	55	55	
	C	—	—	—	—	Abt. 73	Abt. 107	—	Abt. 78	Abt. 106	
Type (302)	A	—	—	—	—	$\phi 30$	$\phi 30$	—	$\phi 30$	$\phi 30$	
	B	—	—	—	—	55	55	—	55	55	
	C	—	—	—	—	Abt. 73	Abt. 107	—	Abt. 78	Abt. 106	
Type (303)	A	—	—	—	—	$\phi 16$	$\phi 16$	—	—	—	
	B	—	—	—	—	30	30	—	—	—	
	C	—	—	—	—	Abt. 57	Abt. 83	—	—	—	
Type (304)	A	$\phi 18$	$\phi 18$	—	—	—	—	—	—	—	
	B	26	26	—	—	—	—	—	—	—	
	C	Abt. 38	Abt. 48	—	—	—	—	—	—	—	



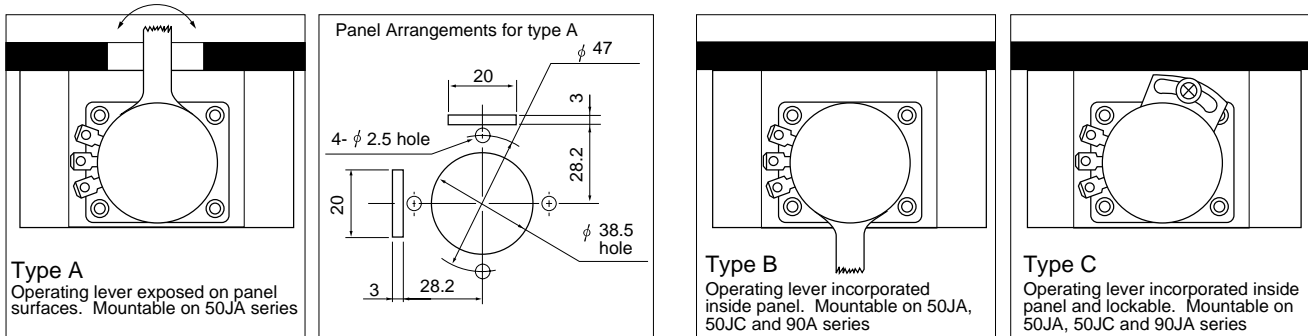
(Note) The height of above C and F shows the dimension when standard type of each model with YO, ZT and ZZ mounts such special knobs.

Dust Proof Rubber (Model 30JH, 50JC, 90JB series have a dust proof rubber as their standard version)



(Note) We are using a strong rubber materials against severe environmental conditions as our standard dust-proof rubber and however, in case of using in an atmosphere of oil or lower temperature, please consult us before ordering. When changing the dust proof rubber cover, some type of joystick controllers can not change it by yourselves and it requires to return us to do so. Please duly note this fact in your mind.

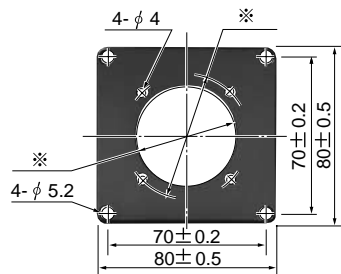
Potentiometer's "O" Position Adjusting Mechanism



(Note) In case of with dust-proof rubber cover, the dimensions shall change and please ask us the details.

Sub-panel for Mounting

It is possible to supply each type of joystick controller with this sub-panel on request. (Thickness : 2mm)



Note : 1) The dimensions of mark "※" are determined by the joystick controllers to be mounted.
 2) For mounting use of 90JA, L90JA, M90JA and 90JB, the outer dimension is □100 and inner dimension between 4φ5.2 hole pitch is □90.