

# Precision - Wirewound Potentiometer DP18 St V01

Multiple tap, plug connection, sliding bearing, central fixing M10 x 0,75

The potentiometer DP18 has a reinforced glass fibre plastic housing of high thermal and moisture resistance. It can be additionally encapsulated and then achieves the protection class of IP 65.

The potentiometer can be supplied with a shaft led through on the rear side.  
For fast rotations and high axial loads we recommend our type: DP18 St V02 with needle bearing and double slider tapper.

The resolution of 0,15% at 5 K-Ohm / 330° is lower than for our types DP25, DP113 or DP120 corresponding to the smaller housing diameter

The scope of delivery includes blade terminal DIN 46247, 6 pieces.

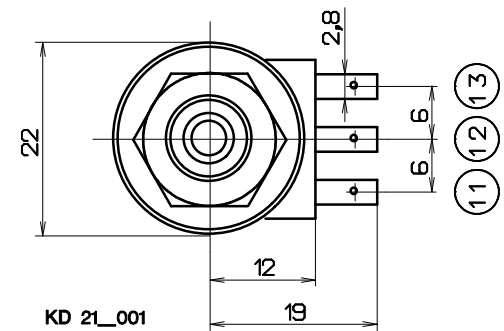
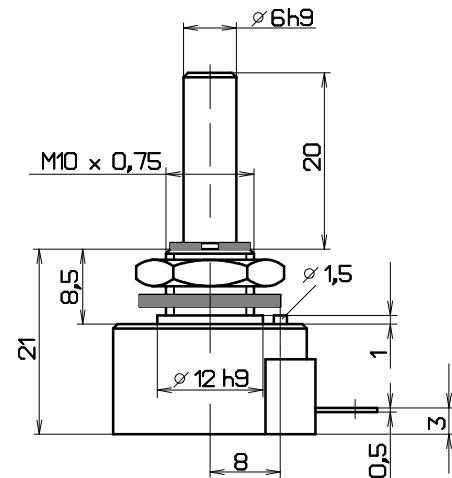


## mechanical data

- 1.1 housing..... : reinforced glass fibre plastic
- 1.2 shaft..... : stainless steel  $\varnothing 6^{\text{h9}}$
- 1.3 bearing..... : maintenance-free sliding bearing
- 1.4 resistor element..... : noble metal winding
- 1.5 slider tap / wiper tap..... : noble metal, multiple
- 1.6 housing protection class..... : IP 60
- 1.7 type of connection..... : blade terminal DIN 46342
- 1.8 mounted by..... : central fixing M10 x 0,75
- 1.9 mechanical rotation angle..... : 330° +2° ,stops
- 1.10 electrical rotation angle..... : 330° -1° +2°
- 1.11 rotation speed..... : max. 60 rpm
- 1.12 torque..... : 0,6 to 1,5 Ncm
- 1.13 rotation load life..... : 5 x 10<sup>6</sup> slider path (360°)
- 1.14 end-stop strength..... : 60 Ncm

## electrical data

- 2.1 resistance values, standard..... : 1, 2, 5 K-Ohm
- 2.2 resistance values,max.possible : 5 K-Ohm
- 2.3 resistance tolerance..... : ± 3%
- 2.4 max. starting / end resistance... : 1% (of overall resistance => 1K)
- 2.5 linearity tolerance..... : ± 0,4%
- 2.6 insulation resistance..... : 20 M-Ohm
- 2.7 test voltage..... : 500 V, 50 Hz
- 2.8 operating voltage..... : max. 50 V
- 2.9 power rating..... : max. 1,5 Watt
- 2.10 slider load current..... : 1 mA (max., load life)
- 2.11 temperature range..... : -50°C till +100°C
- 2.12 temperature coefficient..... : 20 ppm/°C



## options

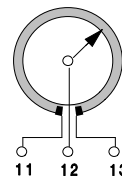
- short-circuit tracks
- centre taps
- resistance tolerance: ±1%
- shaft: special length, led through on the rear side
- slider throughrotation
- electrical angle of rotation max. 355°
- mechanical angle of rotation max. 360°
- protection class IP65, shaft-side
- protection class IP65° complete

## accessories

- protective housing
- bellows coupling
- pin coupling
- microswitch
- scale rotary knob
- terminal wires

## other types

- multiple version
- print connection
- needle bearing - shaft



## terminal plan

| point | function |
|-------|----------|
| 1 1   | winding  |
| 1 2   | slider   |
| 1 3   | winding  |

\* Potentiometer housing encapsulated, protection class IP65, connections are free.  
Completely encapsulated potentiometers are supplied with cable and protective housing.