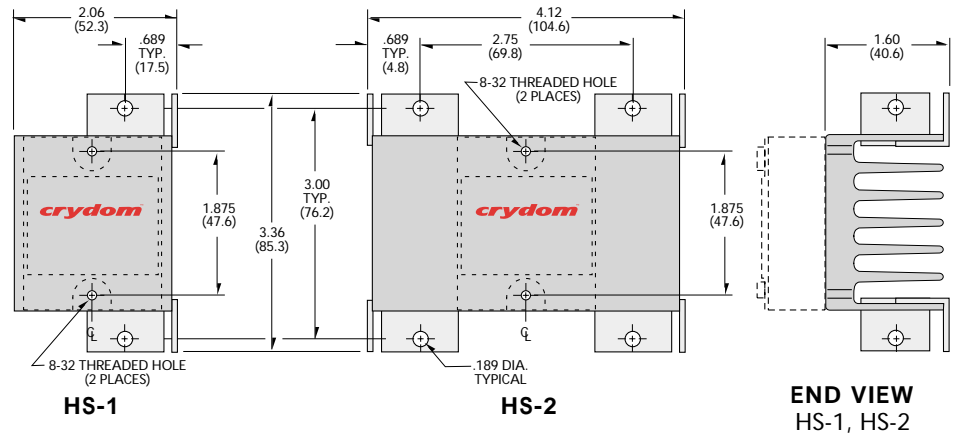
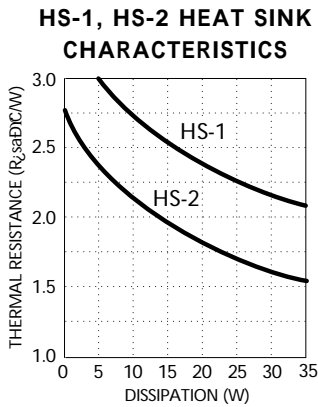


A major consideration in the use of Solid-State Relays is the thermal design. It is essential that the user provide adequate heat sinking for the application.

Crydom heat sinks are designed for excellent thermal management when used with Crydom's Series 1 type package of SSR's and Controllers.

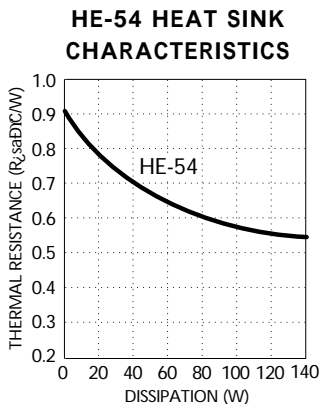
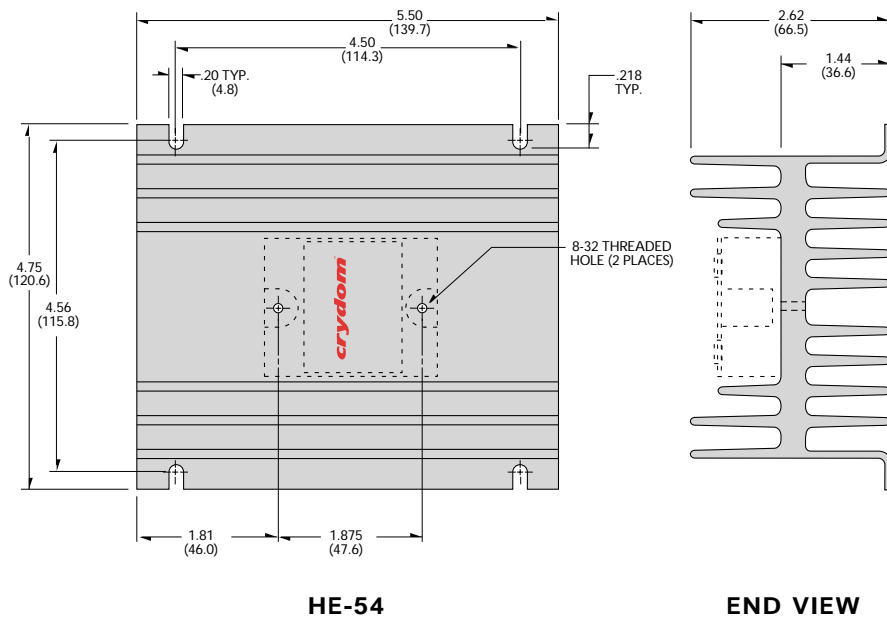
Correct installation is important to assure heat is dissipated correctly. The Crydom SSR should be firmly (20 in-lbs.) mounted on a clean, smooth heat sink surface using thermally conductive grease.



©2001 CRYDOM CORP, Specifications subject to change without notice.

COMPATIBLE CRYDOM PRODUCTS:

- | | |
|-------------|-----------------|
| Series 1 | Series CS |
| Series CT | Series HA |
| Duals | Series HD |
| Quad | Series 1-DC |
| Series DC60 | Series CPV |
| Series SST | Series DSD, DLD |
| Series DLD | Series RPC |
| Series PCV | Series 53TP* |
- *Requires HE-90 (see pg 2)



For recommended applications and more information contact:
USA: Sales Support (877) 502-5500 **Tech Support** (877) 702-7700 **FAX** (619) 710-8540
 Crydom Corp, 2320 Paseo de las Americas, Ste. 201, San Diego, CA 92154
Email: sales@crydom.com **WEB SITE:** http://www.crydom.com
UK: +44 (0)1202 365070 • **FAX** +44 (0)1202 365090 Crydom International Ltd., 7 Cobham Road, Ferndown Industrial Estate, Ferndown, Dorset BH21 7PE, **Email:** intsales@crydom.com.
GERMANY: +49 (0)180 3000 506

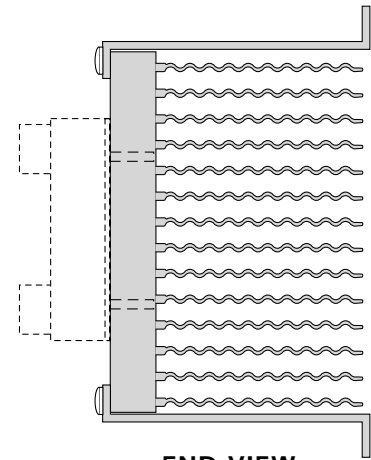
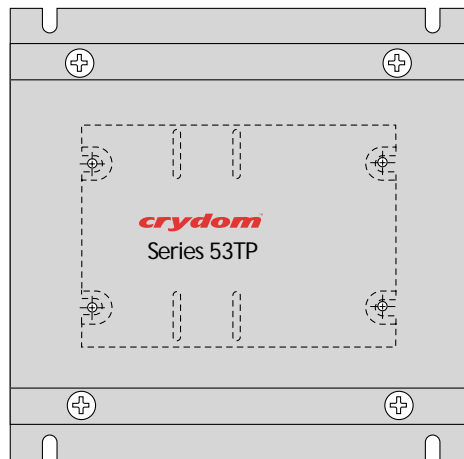
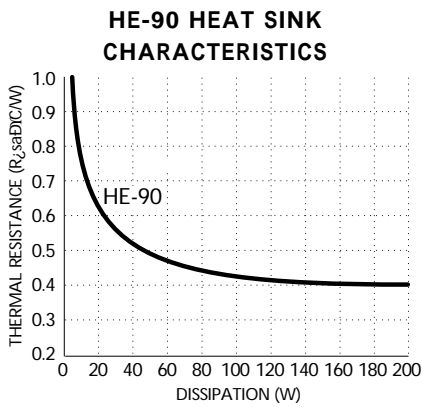


MECHANICAL SPECIFICATIONS

Model Number	HS-1	HS-2	HE-54	HE-90
Weight: (typical) [ounces]	3.0	5.0	10.0	24.0
Material	Aluminum			
Finish	Chromate Coating & Gold			
Mounting Holes	8-32 threaded			

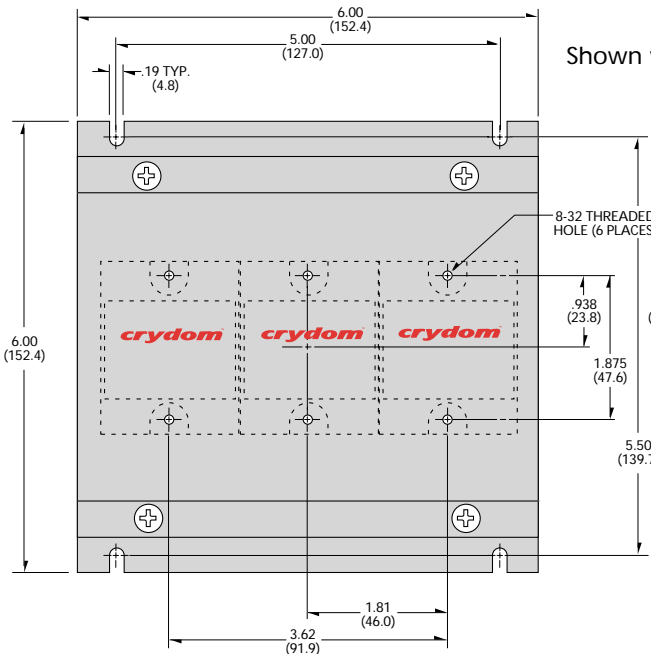
HE-90

Shown with Series 53TP Mounted



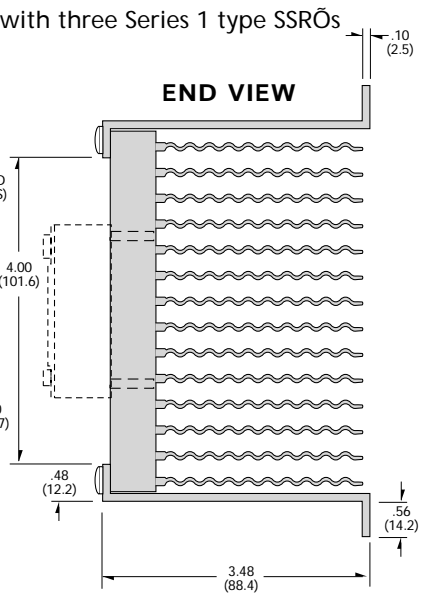
END VIEW

The HE-90 heat sink offers excellent thermal management for up to three Series 1 type package SSRs or a single three phase SSR (Model 53TP). All mounting holes are predrilled & tapped and are user configurable depending on the specific application.



HE-90

Shown with three Series 1 type SSRs



END VIEW

© 2003 CRYDOM CORP, Specifications subject to change without notice.