

# D Ribbon Wiremount Plug

Bailmount Option

cbl..fb Series



- Accepts 26-28 AWG wire
- Accepts .050 inch round, flat or jacketed cable
- Low profile
- Flexible design offers various mounting applications
- Contact design efficiency enables multiple insertion/withdrawals
- RoHS\* compliant

---

## Physical

### Insulation

Material: Glass Filled Polyester (PBT)

Flammability: UL 94V-0

Color: Gray

### Contact

Material: Copper Alloy

### Plating:

Underplating: 100  $\mu$ " (2.54  $\mu$ m) Nickel - QQ-N-290, Class 2

Wiping Area: 30  $\mu$ " (0.76  $\mu$ m) Gold - MIL-G-45204, Type II, Grade C

### Strain Relief

Material: Stainless Steel - .012 [ 0.30 ] Thick

Wire Accommodation: 26 & 28 AWG Solid or Stranded

Marking: Logo, Part Number Identification, Position 1

---

## Electrical

Current Rating: 1 A

Insulation Resistance:  $> 1 \times 10^9 \Omega$  at 500 VDC

Withstanding Voltage: 1000 Vrms at Sea Level

---

## Environmental

Temperature Rating: -55°C to +105°C

t

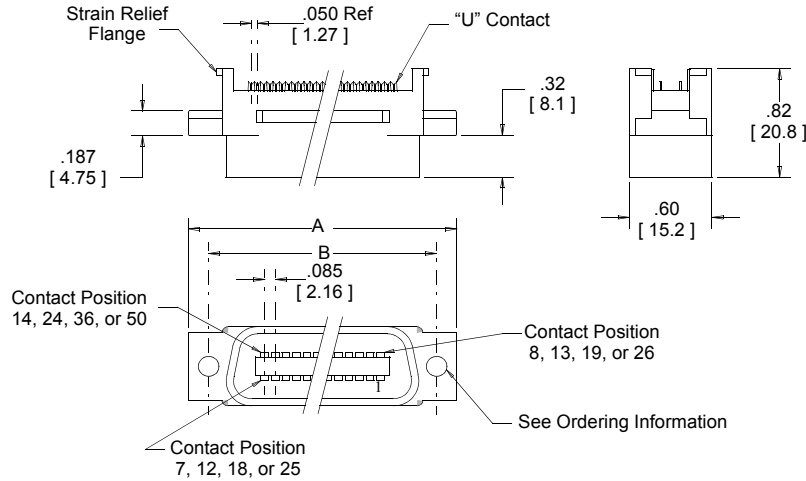
# D Ribbon Wiremount Plug

Bailmount Option

cbl..fb Series

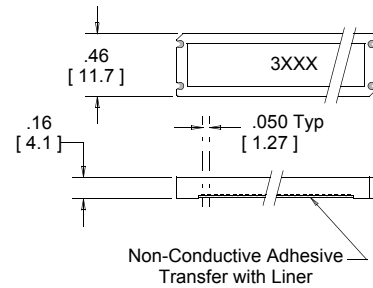
Contact Quantity	Part Number	Dimension		
		A	B	C
14	<b>cbl14fb</b>	1.75 [ 44.5 ]	1.42 [ 36.0 ]	1.28 [ 32.5 ]
24	<b>cbl24fb</b>	2.17 [ 55.1 ]	1.84 [ 46.8 ]	1.70 [ 43.2 ]
36	<b>cbl36fb</b>	2.68 [ 68.1 ]	2.35 [ 59.7 ]	2.21 [ 56.1 ]
50	<b>cbl50fb</b>	3.27 [ 83.1 ]	2.95 [ 74.8 ]	2.81 [ 71.4 ]

## Standard Body

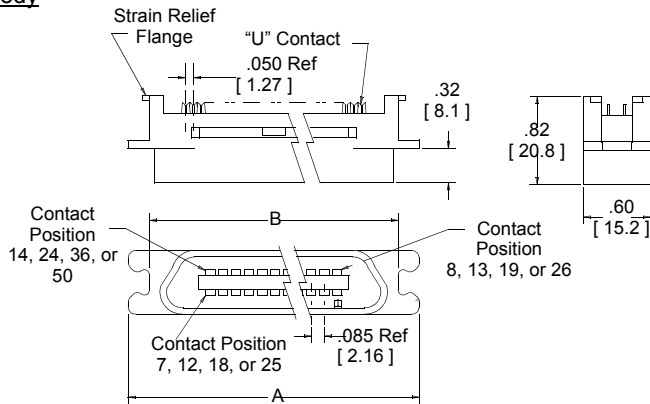


Contact Quantity	Series	Dimensions		
		A	B	C
14	<b>cbl14fb</b>	1.58 [ 40.1 ]	1.20 [ 30.5 ]	1.28 [ 32.5 ]
24	<b>cbl24fb</b>	2.01 [ 51.1 ]	1.63 [ 41.4 ]	1.70 [ 43.2 ]
36	<b>cbl36fb</b>	2.52 [ 64.0 ]	2.14 [ 54.4 ]	2.21 [ 56.1 ]
50	<b>cbl50fb</b>	3.11 [ 79.0 ]	2.73 [ 69.3 ]	2.81 [ 71.4 ]

## Cover



## Bailmount Body



Inch  
[mm]

Tolerance Unless Noted			
	.0	.00	.000
inch	±.1	±.01	±.005

[ ] Dimensions for Reference Only

## Ordering Information

### Connector cbl..fb-X

Series  
See Table

none = .158 [ 4.01 ] Dia Hole  
1 = Bailmount  
2 = #4-40 UNC Insert

### Strain Relief (Order Separately) 3448-XX

60 = 14 Position  
61 = 24 Position  
62 = 36 Position  
63 = 50 Position

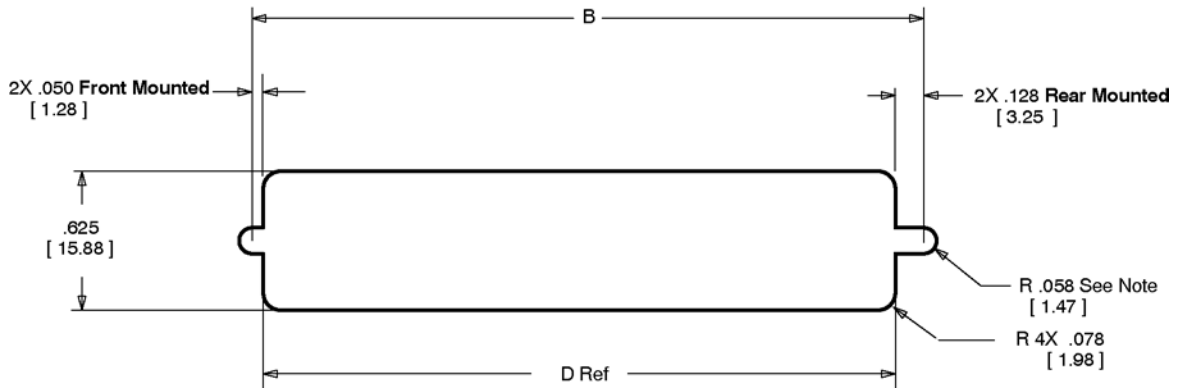
Application tools: 3640 press (or equivalent), 3443-58 locator plate, 3442-9 platen.

Sheet 2 of 3

# D Ribbon Wiremount Plug

Bailmount Option

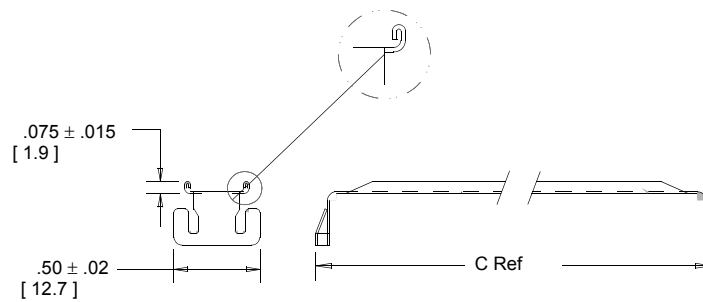
cbl..fb Series



**Notes:**

For rear mounting of connector with IEEE-488 Type Jack Socket 3341-3, use .098" [ 2.49 mm ] R.

Contact Quantity	Part Number	Mounting Method	Dimension D
24	cbl24fb	Front	1.740 [ 44.20 ]
36	cbl36fb	Front	2.250 [ 57.16 ]
50	cbl50fb	Front	2.845 [ 72.27 ]
14	cbl14fb	Rear	1.160 [ 29.46 ]
24	cbl24fb	Rear	1.585 [ 40.26 ]
36	cbl36fb	Rear	2.095 [ 53.21 ]
50	cbl50fb	Rear	2.690 [ 68.33 ]



**Strain Relief**  
(Order Separately)