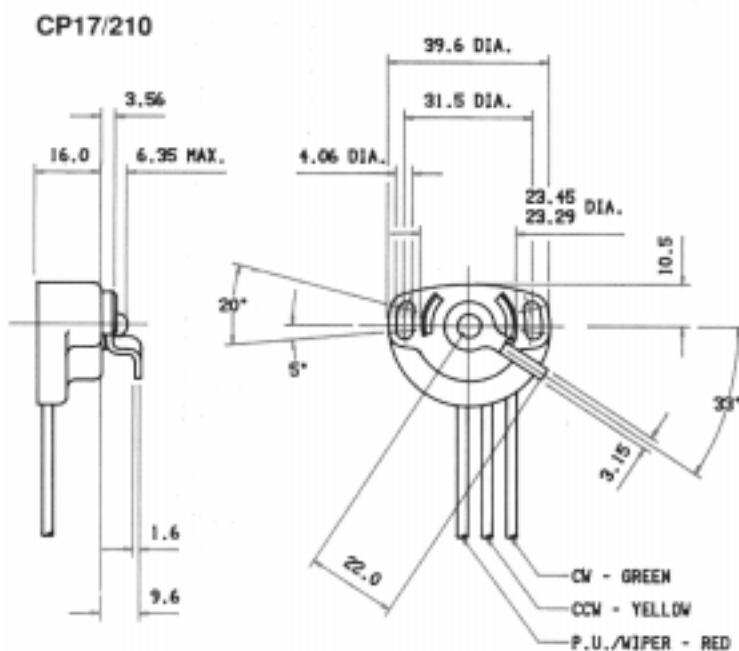


Autosensors



Dimensions mm



Part Number	CP17/ 200 and CP17/ 500 series
Resistance Value Options	500 to 10K ohms; wiper protection resistor 25% or 1K min
Tolerance	+/-20% (+/-10% available)
Independent Linearity	+/-2%
Output Signal Temp Coeff.	<25 ppm / ° C max
Output Smoothness	0.5%
Operating Temperature	-40°C to +130°C
Isolation Voltage	500V a.c. r.m.s.
Hysteresis	<0.3%
Effective Angle	90°typical , 120° max
Mechanical Angle	140° max
Operational Torque	10mNm min, 85mNm max
End Stop Torque	800mNm
Endurance	3 X10 ⁶ cycles