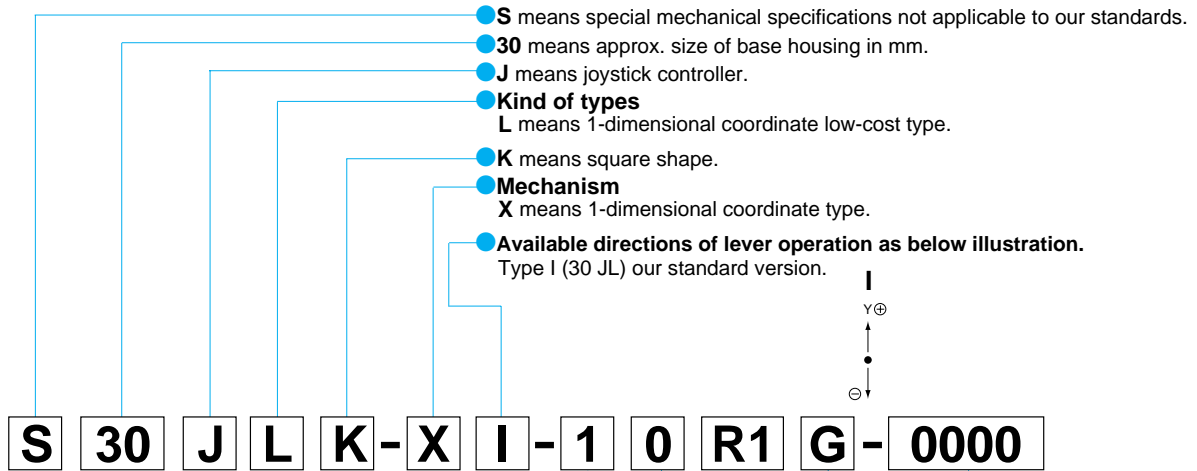


# 30JL

## Nomenclature



**Number of potentiometers to be mounted.**

0...no potentiometer mounted.  
 1...1 potentiometer mounted.

**Number of switches to be mounted.**

0...no switch mounted.  
 1...1 switch mounted.  
 2...2 switches mounted.

**With spring return device**

**R1** : with spring return device for 1-dimensional coordinate type.  
 (standard option)

**Mounting accessories.**

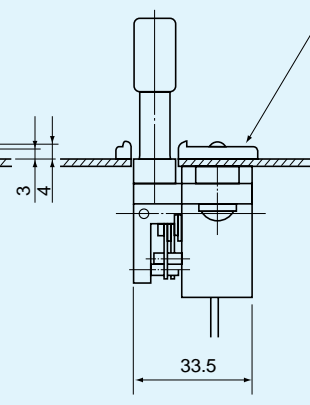
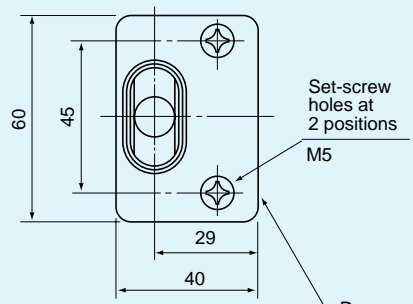
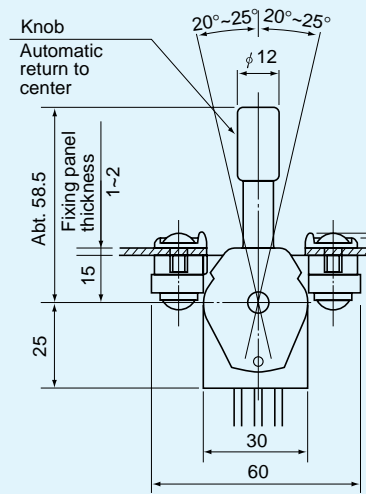
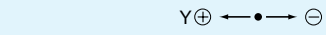
**G** : means with dust-proof rubber cover.  
**R** : means with round-shaped knob.  
**H** : means with flat-shaped knob.  
**P** : means with sub-panel for mounting.

**Special part number basing on customer's specifications with 4 digits number.**

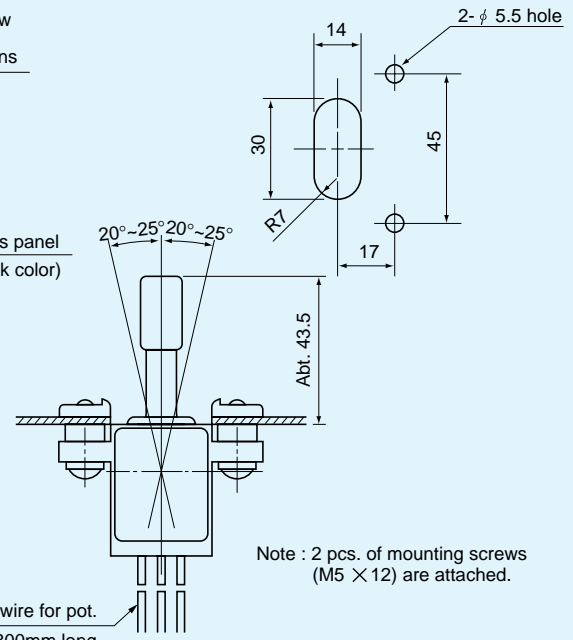
## Standard Dimensions

(Standard version: model 30JLK-XI-10R1)

Direction of operation lever (type I)



## Panel Arrangements



Note : 2 pcs. of mounting screws (M5 × 12) are attached.

lead wire for pot.  
 abt. 300mm long  
 (AWG20)

(Unit : mm)



**30JLK-XI-10R1**  
(standard)



**30JLK-XI-10R1RP**  
(with round shaped knob and sub-panel)



**30JLK-XI-10R1HP**  
(with flat shaped knob and sub-panel)



**30JLK-XI-10R1GRP**  
(with dust-proof rubber cover, round shaped knob and sub-panel)

**Note :** Sub-panel (P), rubber cover (G), round shaped knob (R) and flat shaped knob fitted on the above photos are an optional parts.

## STANDARD SPECIFICATIONS

### ●Mechanical Performances

**Controlling range of operating lever :**  $\pm 20^\circ \sim \pm 25^\circ$  from center position.

**Operating force :** With standard automatically center returning spring return device:  
Standard... Approx. 1N ~ 2.5N (Approx. 100gf ~ 250gf).

With rubber cover... Approx. 1N ~ 5.5N (Approx. 100gf ~ 550gf)

**Operating temperature range :**  $-20^\circ\text{C} \sim +60^\circ\text{C}$

**Vibration :** 10 ~ 55Hz 98m/s<sup>2</sup> (10G)

**Shock :** 294m/s<sup>2</sup> (30G)

**Life expectancy :** Approx. 2,000,000 operations

**Mass :** Approx. 100g

### ●Electrical Performances

**Potentiometer mounted :** Special conductive plastic resistive element exclusively used for 30JL series is incorporated.

**Total resistance value :** 10k $\Omega$   $\pm 20\%$

**Independent linearity tolerance :**  $\pm 5\%$

**Electrical rotating angle :** Approx. 40°

**Rated power :** 0.1W

**Output smoothness :** Below 0.2% against input voltage

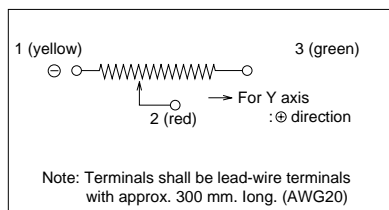
**Contact resistance variation :** Below 6% C.R.V.

**Resolution :** Essentially infinite

**Dielectric strength :** 1 minute at 500V.A.C.

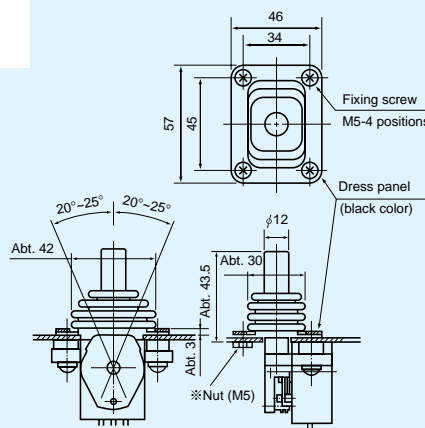
**Insulation resistance :** Over 1,000M $\Omega$  at 500V.D.C.

### ●Terminal Connection Diagram



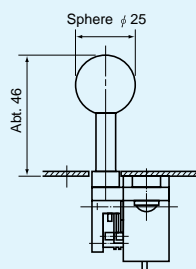
### Dimensions of Optional Version

With dust-proof rubber cover

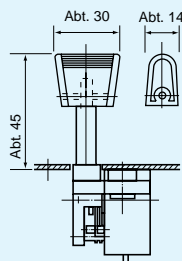


Note : 1) 4 pcs. of mounting screws (M5 X 12) are attached.  
2) 2 pcs. of the attached nut (M5) "※" use for mounting of the one side.

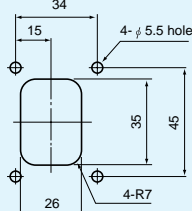
#### Round shaped knob



#### Flat shaped knob



#### ■Panel Arrangements for dust-proof rubber cover type



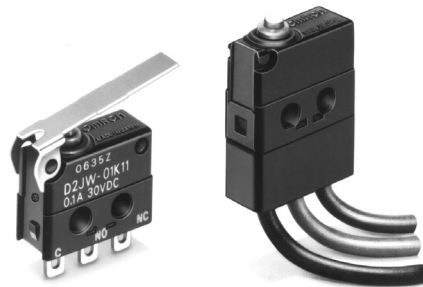
(Unit : mm)

### ●Special Specifications Available

Please see page 41, a table of "Standard and Special Specifications Available".

### Ultra-small and Highly Sealed

- Degree of protection for the molded lead wire models conforms to IEC IP67.
- Wide range of operating temperature from  $-40^{\circ}\text{C}$  to  $85^{\circ}\text{C}$ .
- Gold-alloy crossbar contact and coil spring offer long life expectancy and high contact reliability.



## Ordering Information

### Model Number Legend

D2JW-01□-□-□  
1 2 3 4

#### 1. Ratings

01: 0.1 A at 30 VDC

#### 2. Actuator

None: Pin plunger

K1A: Short hinge lever

K1: Hinge lever

K3: Simulated roller lever

K2: Hinge roller lever

#### 3. Contact Form

1: SPDT

2: SPST-NC


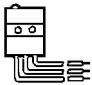





3: SPST-NO

#### 4. Terminals

None: Solder terminals

MD: Molded lead wires

### List of Models

Actuator	Model	
	Solder terminals 	Molded lead wires 
Pin plunger 	D2JW-011	D2JW-011-MD
Short hinge lever 	D2JW-01K1A1	D2JW-01K1A1-MD
Hinge lever 	D2JW-01K11	D2JW-01K11-MD
Simulated roller lever 	D2JW-01K31	D2JW-01K31-MD
Hinge roller lever 	D2JW-01K21	D2JW-01K21-MD

- Note:**
1. The standard lengths of the lead wires (AVS0.3f) of models incorporating them are 30 cm.
  2. Consult your OMRON sales representative for details on SPST-NO and SPST-NC models.

# Specifications

## ■ Ratings

<b>Electrical ratings</b>	0.1 A at 30 VDC (resistive load)
---------------------------	----------------------------------

The ratings values apply under the following test conditions:

Ambient temperature: 20±2°C

Ambient humidity: 65±5%

Operating frequency: 30 operations/min

## ■ Characteristics

<b>Operating speed (see note 2)</b>	1 mm to 250 mm/s
<b>Operating frequency</b>	Mechanical: 240 operations/min max. Electrical: 30 operations/min max.
<b>Insulation resistance</b>	100 MΩ min. (at 500 VDC)
<b>Contact resistance (initial value)</b>	100 mΩ max. (molded lead wire models: 140 mΩ max.)
<b>Dielectric strength (see note 3)</b>	600 VAC, 50/60 Hz for 1 min between terminals of the same polarity 1,000 VAC, 50/60 Hz for 1 min between current-carrying metal parts and ground, and between each terminal and non-current-carrying metal parts
<b>Vibration resistance (see note 4)</b>	Malfunction: 10 to 55 Hz, 1.5-mm double amplitude
<b>Shock resistance (see note 4)</b>	Destruction: 1,000 m/s <sup>2</sup> {approx. 100G} max. Malfunction: 200 m/s <sup>2</sup> {approx. 20G} max.
<b>Durability (see note 5)</b>	Mechanical: 1,000,000 operations min. (60 operations/min) Electrical: 100,000 operations min. (30 operations/min)
<b>Degree of protection</b>	IEC IP67 (excluding the terminals on terminal models)
<b>Degree of protection against electric shock</b>	Class I
<b>Proof tracking index (PTI)</b>	175
<b>Ambient operating temperature</b>	-40°C to 85°C (at ambient humidity of 60% max.) (with no icing or condensation)
<b>Ambient operating humidity</b>	35% to 98% (for 5°C to 35°C)
<b>Weight</b>	Approx. 7 g (pin plunger models with molded lead wire models)

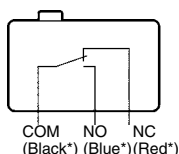
- Note:**
1. The data given above are initial values.
  2. The operating speed value shown is for pin plunger models. (For different models, consult your OMRON sales representative.)
  3. The dielectric strength values shown apply for use with Separator (terminal type).
  4. The values shown apply for malfunctions of 1 ms max.
  5. For testing conditions, consult your OMRON sales representative.

## ■ Contact Specifications

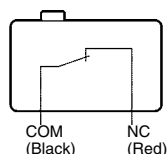
Contact	Specification	Crossbar
	Material	Gold alloy
	Gap (standard value)	0.5 mm
Inrush current	NC	0.1 A max.
	NO	0.1 A max.
Minimum applicable load		1 mA at 5 VDC

## ■ Contact Form

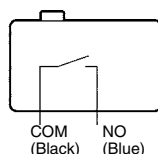
### SPDT



### SPST-NC



### SPST-NO



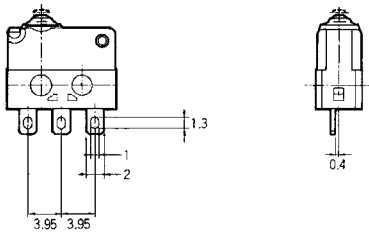
\*Indicates the color of the lead wire.

# Dimensions

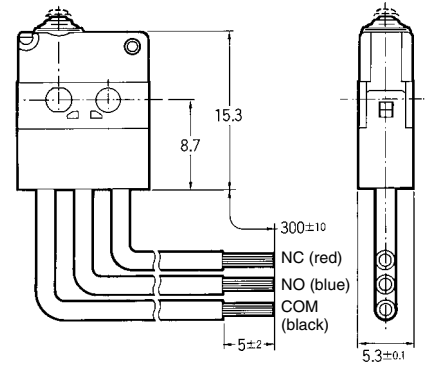
**Note:** All units are in millimeters unless otherwise indicated.

## ■ Terminals

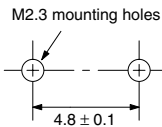
### Solder Terminals



### Molded Lead Wires



## ■ Mounting Holes

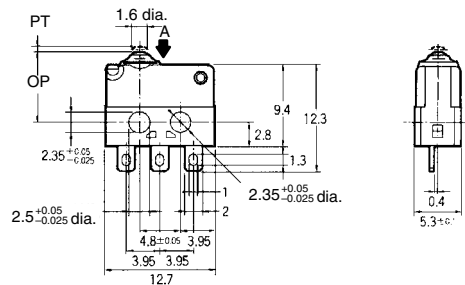
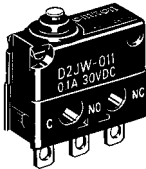


## ■ Dimensions and Operating Characteristics

- Note:**
- All units are in millimeters unless otherwise indicated.
  - Unless otherwise specified, a tolerance of  $\pm 0.4$  mm applies to all dimensions.
  - Actuators of the molded lead wire terminals are omitted here. The dimensions (other than the terminals) and operating characteristics of the molded lead wire terminals are the same as those for the solder terminals.
  - The operating characteristics are for operation in the A direction (▼).

### Pin Plunger Models

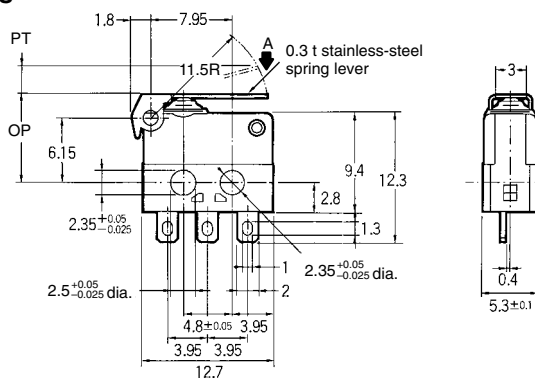
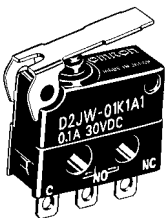
D2JW-011



<b>OF max.</b>	2.45 N {250 gf}
<b>RF min.</b>	0.98 N {100 gf}
<b>PT max.</b>	0.6 mm
<b>OT min.</b>	0.3 mm
<b>MD max.</b>	0.1 mm
<b>OP</b>	8.1 ± 0.3 mm

### Short Hinge Lever Models

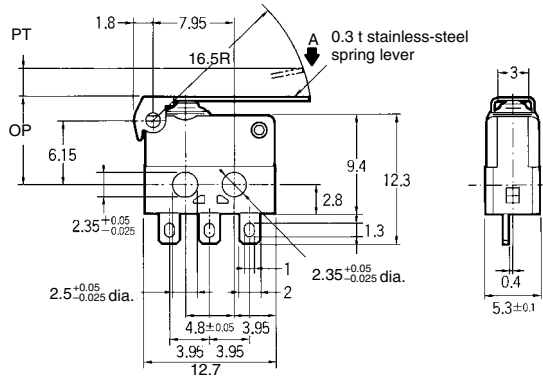
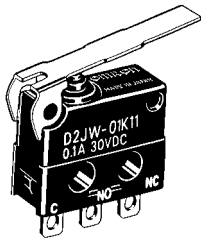
D2JW-01K1A1



<b>OF max.</b>	1.15 N {117 gf}
<b>RF min.</b>	0.23 N {23 gf}
<b>PT max.</b>	5.4 mm
<b>OT min.</b>	0.7 mm
<b>MD max.</b>	0.5 mm
<b>OP</b>	8.4 ± 0.8 mm

**Hinge Lever Models**

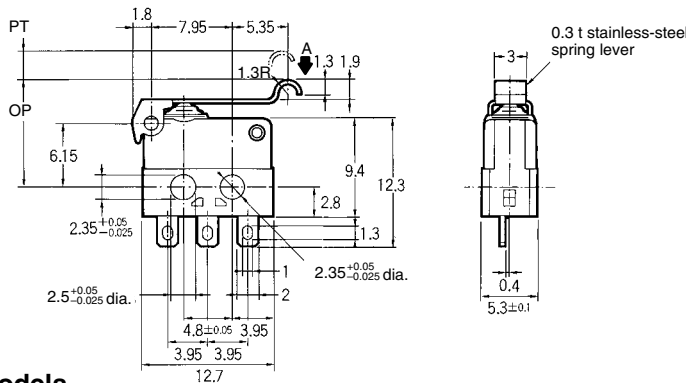
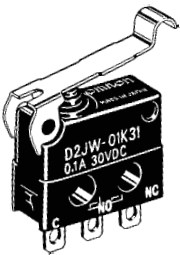
D2JW-01K11



<b>OF max.</b>	0.80 N {82 gf}
<b>RF min.</b>	0.15 N {16 gf}
<b>PT max.</b>	6.4 mm
<b>OT min.</b>	1.4 mm
<b>MD max.</b>	0.7 mm
<b>OP</b>	8.4±0.8 mm

**Simulated Roller Lever Models**

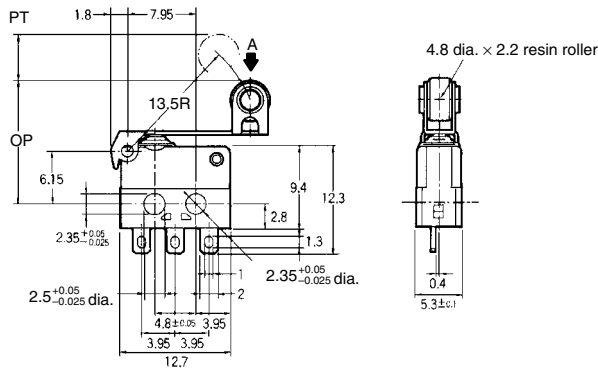
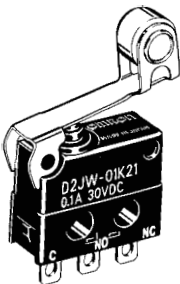
D2JW-01K31



<b>OF max.</b>	0.95 N {97 gf}
<b>RF min.</b>	0.19 N {20 gf}
<b>PT max.</b>	5.5 mm
<b>OT min.</b>	1.1 mm
<b>MD max.</b>	0.6 mm
<b>OP</b>	10.3±0.8 mm

**Hinge Roller Lever Models**

D2JW-01K21



<b>OF max.</b>	0.98 N {100 gf}
<b>RF min.</b>	0.19 N {20 gf}
<b>PT max.</b>	5.2 mm
<b>OT min.</b>	1.1 mm
<b>MD max.</b>	0.5 mm
<b>OP</b>	14.6±0.8 mm

## Precautions

Refer to pages 26 to 31 for common precautions.

### ■ Cautions

#### Terminal Connection

When soldering, make sure that the capacity of the soldering iron is 30 W maximum (temperature of soldering iron: 250°C max.). Do not take more than 3 s to solder the switch terminal.

If soldering is not carried out under the proper conditions there is a danger of over-heating and subsequent heat damage.

Applying a soldering iron for more than 3 s or using one that is rated at more than 30 W may deteriorate the Switch characteristics.

#### Degree of Protection

Do not use the Switch underwater. The Switch was tested and found to meet the conditions necessary to meet the following standard. The test checks for water intrusion after immersion for a specified time period. The test does not check for switching operation underwater.

IEC Publication 529, degree of protection IP67.

#### Protection Against Chemicals

Prevent the Switch from coming into contact with oil and chemicals. Otherwise, damage to or deterioration of Switch materials may result.

### ■ Correct Use

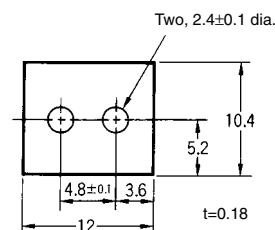
Use M2.3 mounting screws with plane washers or spring washers to securely mount the Switch. Tighten the screws to a torque of 0.20 to 0.29 N•m {2 to 3 kgf•cm}.

### Separator

When mounting the Switch on a metallic surface, be sure to provide a Separator between the Switch and the mounting plate.

### ■ Separator (Sold Separately)

Model	Separator for D2JW
-------	--------------------



**ALL DIMENSIONS SHOWN ARE IN MILLIMETERS.**

To convert millimeters into inches, multiply by 0.03937. To convert grams into ounces, multiply by 0.03527.

## Correct Use

No.	Area	No.	Item	Page
1	Using Switches			26
2	Selecting Correct Switch			
3	Electrical Conditions	1	Load	27
		2	Application of Switch to Electronic Circuits	
		3	Switches for Micro Loads	
		4	Contact Protective Circuit	
4	Mechanical Conditions	1	Operating Stroke Setting	28
		2	Switching Speed and Frequency	
		3	Operating Condition	
		4	Operating Method	
5	Mounting	1	Securing	29
		2	Terminal Connections	
		3	Soldering Precautions	
6	Operation and Storage Environment	1	Handling	30
		2	Operating Environment	
		3	Storage Environment	
7	Switch Trouble and Corrective Action			31

### ■ Using Switches

- When switches are actually used, unforeseen accidents may occur. Before using a switch, perform all possible testing in advance.
- Unless otherwise specified, ratings and performances given in this catalog are for standard test conditions (i.e., 15 to 35°C, 25% to 75% humidity, and 86 to 106 kPa atmospheric pressure). When performing testing in the actual application, always use the same conditions as will be used in actual usage conditions for both the load and the operating environment.
- Reference data provided in this catalog represents actual measurements from production samples in graph form. All reference data values are nominal.
- All ratings and performance values provided in this catalog are the results of a single test each rating and performance value therefore may not be met for composite conditions.

### ■ Selecting Correct Switch

Select an appropriate switch for the operating environment and load conditions.

- Use the *Selection Guide* to select a suitable switch for the rated current, operating load, actuator type, and operating environment.
- It is not recommended to use a switch for a large current to switch a micro current, in terms of contact reliability. Select a switch that is suitable for the current actually being switched.
- Use a sealed switch in environments subject to water, other liquids and excessive dirt or dust.

### ■ Electrical Conditions

#### Load

The switching capacity of a switch significantly differs depending on whether the switch is used to break an alternating current or a direct current. Be sure to check both the AC and DC ratings of a switch. The control capacity will drop drastically if it is a DC load. This is because a DC load, unlike an AC load, has no current zero cross point. Therefore, if an arc is generated, it may continue for a comparatively long time. Furthermore, the current direction is always the same, which results in contact relocation phenomena, and the contacts hold each other with ease and will not separate if the surfaces of the contacts are uneven.

If the load is inductive, counter-electromotive voltage will be generated. The higher the voltage is, the higher the generated energy is, which increase the abrasion of the contacts and contact relocation phenomena. Make sure to use a switch within the rated conditions.

If a switch is used for switching both micro and high-capacity loads, be sure to connect relays suitable to the loads.

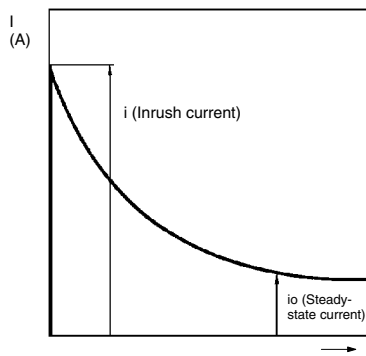
The rated loads of a switch are according to the following conditions:  
 Inductive Load: A load having a minimum power factor of 0.4 (AC) or a maximum time constant of 7 ms (DC).

Lamp Load: A load having an inrush current ten times the steady-state current.

Motor Load: A load having an inrush current six times the steady-state current.

**Note:** It is important to know the time constant (L/R) of an inductive load in a DC circuit.

#### Inrush Current



#### Application of Switch to Electronic Circuits

The Basic switch may have contact bouncing or chattering in switching, thus generating noise or pulse signals that may interfere the operation of electronic circuits or audio equipment. To prevent this, take the following countermeasures.

- Design the circuits so that they include appropriate CR circuits to absorb noise or pulse signals.
- Use switches with gold-plated contacts for micro loads, which are more resistive to environmental conditions.

#### Switches for Micro Loads

If a switch for a general load is used for switching a micro load, it may cause contact failures. Be sure to select a switch within the permissible range. Even if a switch for a micro load is used within the permissible range, the inrush current of the load may deteriorate the contacts, thus decreasing the durability of the switch. Therefore, if necessary, insert a proper contact protective circuit.



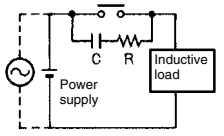
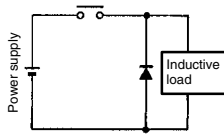
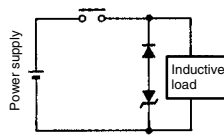
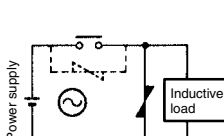
**Contact Protective Circuit**

Apply a contact protective circuit (surge killer) to extend contact durability, prevent noise, and suppress the generation of carbide or nitric acid due to arc. Be sure to apply the contact protective circuit properly, otherwise an adverse effect may result. Some typical examples of contact protective circuit are described in the following table.

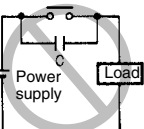
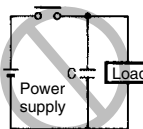
When a switch is used under high humidity, arcs resulting from certain types of load (e.g., inductive loads) will generate nitrous oxides and, with mater the nitrous oxides will become nitric acid, which will corrode internal metal parts and may cause malfunctions. Always use a contact protective circuit according to information provided in the following table when using a switch under circuit conditions of frequent switching and arcing.

The use of a contact protective circuit may delay the response time of the load.

**Typical Examples of Contact Protective Circuits (Surge Killers)**

Circuit example	Applicable current		Feature	Element selection
	AC	DC		
CR circuit 	See note.	Yes	<b>Note:</b> When AC is switched, the load impedance must be lower than the C and R impedance.  The operating time will increase if the load is a relay or solenoid. It is effective to connect the CR circuit in parallel to the load when the power supply voltage is 24 or 48 V and in parallel to the contacts when the power supply voltage is 100 to 200 V.	C: 0.5 to 1 μF per switching current (1 A) R: 0.5 to 1 Ω per switching voltage (1 V) The values may change according to the characteristics of the load.  The capacitor suppresses the spark discharge of current when the contacts are open. The resistor limits the inrush current when the contacts are closed again. Consider these roles of the capacitor and resistor and determine the ideal capacitance and resistance values from experimentation. Use a capacitor with a dielectric strength between 200 and 300 V. When AC is switched, make sure that the capacitor has no polarity. If, however, the ability to control arcs between contacts is a problem for high DC voltage, it may be more effective to connect a capacitor and resistor between the contacts across the load. Check the results by testing in the actual application.
	Yes	Yes		
Diode method 	No	Yes	Energy stored in the coil is changed into current by the diode connected in parallel to the load. Then the current flowing to the coil is consumed and Joule heat is generated by the resistance of the inductive load. The reset time delay in this method is longer than that of the CR method.	The diode must withstand a peak inverse voltage 10 times higher than the circuit voltage and a forward current as high as or higher than the load current.
Diode and Zener diode method 	No	Yes	This method will be effective if the reset time delay caused by the diode method is too long.	Zener voltage for a Zener diode must be about 1.2 times higher than the power source since the load may not work under some circumstances.
Varistor method 	Yes	Yes	This method makes use of constant-voltage characteristic of the varistor so that no high-voltage is imposed on the contacts. This method causes a reset time delay more or less. It is effective to connect varistor in parallel to the load when the supply voltage is 24 to 48 V and in parallel to the contacts when the supply voltage is 100 to 200 V.	Select the varistor so that the following condition is met for the cut voltage Vc. For AC currents, the value must be multiplied by √2. $V_c > (\text{Current Voltage} \times 1.5)$ If Vc is set too high, however, the voltage cut for high voltages will no longer be effective, diminishing the effect.

Do not apply contact protective circuit as shown below.

<p><b>Incorrect</b></p>  <p>This circuit effectively suppresses arcs when the contacts are OFF. The capacitance will be charged, however, when the contacts are OFF. Consequently, when the contacts are ON again, short-circuited current from the capacitance may cause contact weld.</p>	<p><b>Incorrect</b></p>  <p>This circuit effectively suppresses arcs when the contacts are OFF. When the contacts are ON again, however, charge current flows to the capacitor, which may result in contact weld.</p>
--------------------------------------------------------------------------------------------------------------------------------------------------------------------------------------------------------------------------------------------------------------------------------------------------------------------------------------------------------------------------------	------------------------------------------------------------------------------------------------------------------------------------------------------------------------------------------------------------------------------------------------------------------------------------------------------------

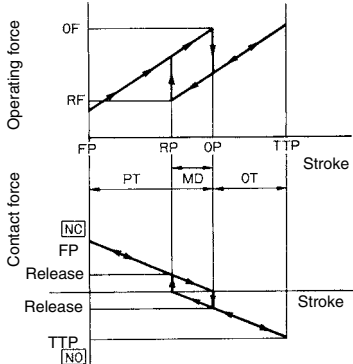
**■ Mechanical Conditions**

**Operating Stroke Setting**

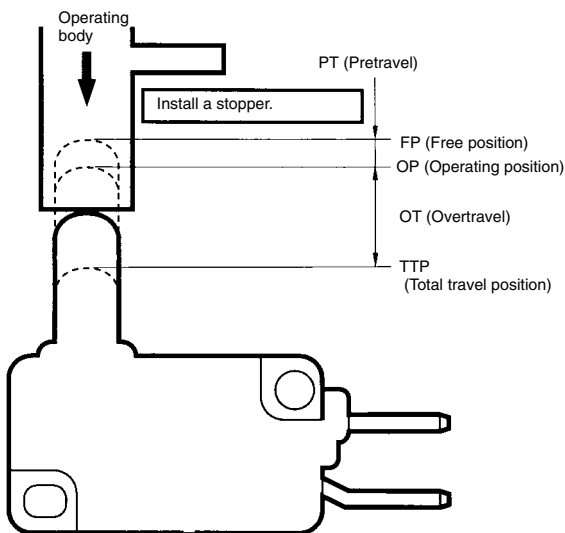
The setting of stroke is very important for a switch to operate with high reliability.

The chart below shows the relationship among operating force, stroke, and contact force. To obtain high reliability from a switch, a switch actuator must be manipulated within an appropriate range of operating force.

Be sure to pay the utmost attention when mounting a switch.

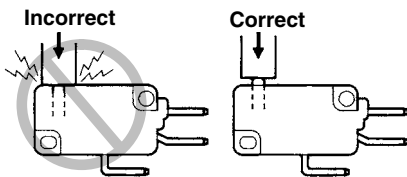


Make sure that the operating body is set so that the actuator should return to the free position when the operating body has moved if a switch is used to form a normally closed (NC) circuit. If a switch is used to form a normally open (NO) circuit, the operating body must move the switch actuator to the distance of 70% to 100% of the rated overtravel (OT) of the switch.



If stroke is set in the vicinity of the operating position (OP) or the releasing position (RP), contact force may become unstable. As a result, the switch cannot ensure high reliability. Furthermore, the switch may malfunction due to vibration or shock.

If stroke is set exceeding the total travel position (TTP), the moment of inertia of the operating body may damage the actuator or the switch itself, and the stress applied to the moving spring inside the switch will increase and then, the durability of the switch may be deteriorated.



**Switching Speed and Frequency**

The switching frequency and speed of a switch have a great influence on the performance of the switch. Pay attention to the following.

- If the actuator is operated too slowly, the switching operation may become unstable, causing contact failures or contact welding.
- If the actuator is operated too quickly, the switch may be damaged by shock.
- If the switching frequency is too high, the switching of the contacts cannot catch up with the operating speed of the actuator.
- If the operating frequency is extremely low (i.e., once a month or less frequent), a film may be generated on the surface of the contacts, which may cause contact failures.

The permissible switching speed and switching frequency of a switch indicate the operational reliability of the switch. The durability of a switch is based on operation under specific conditions regarding the switching speed and switching frequency. The durability of a switch may not meet the durability due to conditions even if the switch is operated within the permissible switching speed and frequency ranges. Test a switch sample under the actual conditions to ascertain its durability.

**Operating Condition**

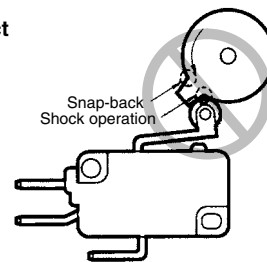
Do not leave a switch with the actuator depressed for a long time, otherwise the parts of the switch may soon deteriorate and the changes of its characteristics operating may result.

**Operating Method**

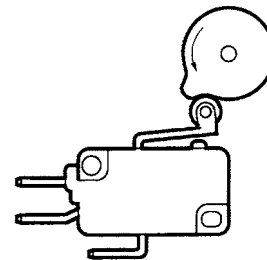
The operating method has a great influence on the performance of a switch. Consider the following before operating a switch.

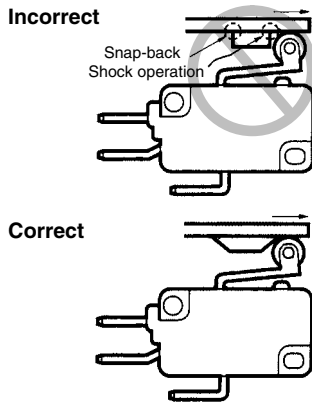
- Design the operating body (i.e., cam or dog) so that it will operate the actuator smoothly. If the actuator snaps backwards quickly or receives shock due to the shape of the operating body, its durability may be deteriorated.

**Incorrect**

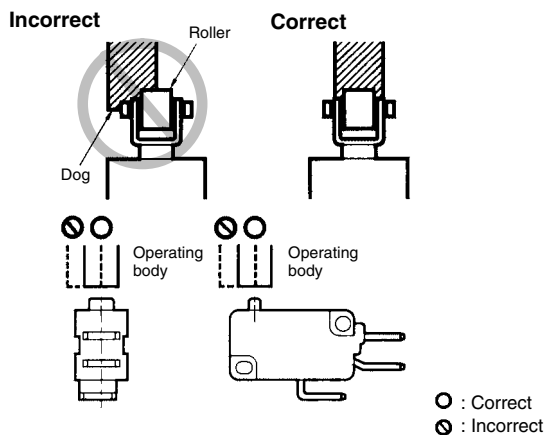


**Correct**

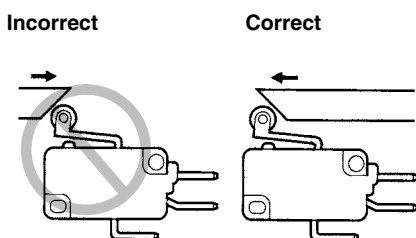




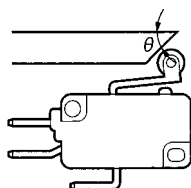
- Make sure that no improper force is applied to the actuator, otherwise the actuator may incur local abrasion. As a result, the actuator may become damaged or its durability may be deteriorated.



- Make sure that the operating body moves in a direction where the actuator moves. If the actuator is a pin plunger type, make sure that the operating body presses the pin plunger vertically.
- Operate the actuator of a hinge roller lever or simulated hinge lever type in the direction shown below.



- Set the angle of the cam or dog ( $\theta$ ) for roller levers and similar actuators to the range between  $30^\circ$  and  $45^\circ$ . If the angle is too large, an abnormally large horizontal stress will be applied to the lever.



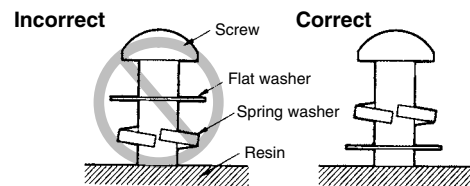
- Do not modify the actuator. If the actuator is modified, excessive external force may be applied to the internal switch mechanism, characteristics may change, and the switch may stop functioning.
- If an external actuator is used as an operating object, check the material and thickness of the lever to make sure that the force applied to the lever is within the permissible range.

■ Mounting

Securing

When mounting a switch, be sure to use the specified mounting screws and tighten the screws with flat washers or spring washers securely.

However, the switch housing may incur crack damage if it comes into contact with the spring washers directly. In that case make sure that the flat washers come into contact with the switch housing as shown below. Do not subject the switch to excessive shock or high-frequency vibrations when mounting (e.g., do not use an impact driver) as it may cause contacts stick or switch damage.



Do not modify the switch in any way, for example, by widening the mounting holes.

Locking Agent

If glue or locking agent is applied, make sure that it does not stick to the moving parts or intrude into the inside of the switch, otherwise the switch may have operating failure or contact failure. Some types of glue or locking agent may generate gas that has a bad influence on the switch. Pay the utmost attention when selecting glue or locking agent.

Wiring

Make sure that the lead wires are connected with no inappropriate pulling force.

Mounting Location

Be sure not to mount a switch in locations where the switch may be actuated by mistake.

Maintenance and Inspection

Make sure that a switch is mounted in locations that allow easy inspection or replacement of the switch.

Mounting Direction

When using a switch with a low operating force mounted with a long lever, make sure that the switch is mounted in the direction where the weight of the lever is not applied to the pushbutton directly, otherwise the switch may have releasing failures.

Terminal Connections

Solder Terminals

When soldering lead wires to a switch, make sure that the temperature of the iron tip is  $380^\circ\text{C}$  maximum. Improper soldering may cause abnormal heat radiation from the switch and the switch may burn.

Complete soldering within 5 seconds at  $350^\circ\text{C}$  or within 3 seconds at  $380^\circ\text{C}$ . If heat is applied for longer period of time, switch characteristics will be deteriorated, e.g., the case will melt and lead wire insulation will scorch.

Soldering conditions are even more strict for ultra subminiature switches. Refer to the *Precautions* for individual models for details.

Quick-Connect Terminals

Use the specified receptacles to connect to quick-connect terminals. Do not apply excessive force horizontally or vertically to the

terminals, otherwise the terminal may be deformed or the housing may be damaged.

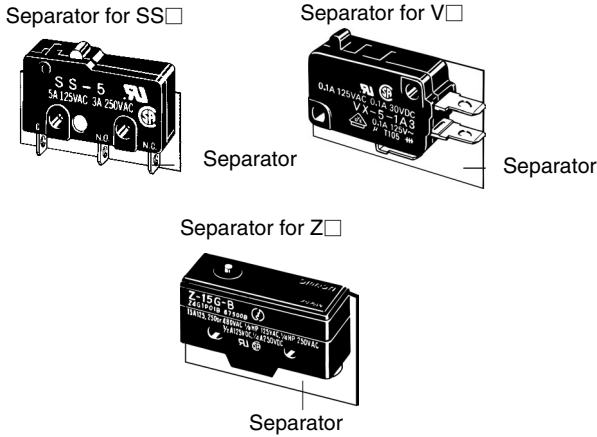
**Wiring Work**

When wiring a switch, check the insulation distance between the switch and the mounting plate. If the insulation distance is insufficient, use an insulation guard or separator. Be particularly careful when mounting a switch to metal.

Use wire sizes suitable for the applied voltage and carrying current. Do not wire a switch while power is being supplied.

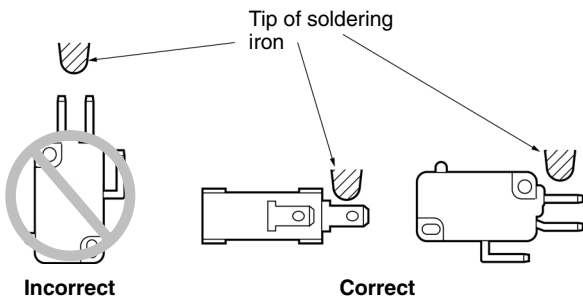
**Using Separators**

If providing sufficient insulation distance is a problem or there are metal components or copper wire near a switch, use a switch with an insulation guard or use a separator (order separately) to provide sufficient insulation distance.



**Soldering Precautions**

When soldering by hand, place the terminal horizontal to the ground, use a soldering iron with a suitable heat capacity and a suitable amount of solder, and complete soldering quickly. Prevent flux from entering a switch by exhausting flux gas with an exhaust fan and by avoiding the contact of the tip of the soldering iron and the switch body. Flux gas inside a switch may cause contact failure. Do not apply any force to the terminal or wire immediately after soldering.



When soldering automatically, adjust the amount of solder so that flux does not float onto the top of PCB. If flux enters the switch, it can cause contact failure.

**Operation and Storage Environment Handling**

Do not apply oil, grease, or other lubricants to the sliding parts of a switch. The intrusion of oil, grease, or other lubricants into the internal part may cause operating failure or contact failure.

**Operating Environment**

A general switch is not water-resistant. Protect the switch appropriately when using the switch in places with water or oil spray.

Do not use a switch under the condition where vibration or shock is continuously applied to the switch. If continuous vibration or shock is applied to a switch, contact failure, malfunction, or decrease in durability may be caused by abrasive powder generated from the internal parts. If excessive vibration or shock is applied to a switch, the contacts may malfunction, stick, or be damaged.

Mount a switch in the location where vibration and shock is not applied to the switch and in the direction where they do not resonate.

Do not use a switch in the atmosphere of corrosive gas, such as sulfuric gas (H<sub>2</sub>S or SO<sub>2</sub>), ammonium gas (NH<sub>3</sub>), nitric gas (HNO<sub>3</sub>), or chlorine gas (Cl<sub>2</sub>), or in the atmosphere of high temperature and humidity. Otherwise, contact failure or corrosion damage may result.

If a switch is used in the atmosphere of silicon gas, arc energy may attract silicon dioxide (SiO<sub>2</sub>) to the contacts and contact failure may result. If there is silicon oil, silicon sealant, a wire covered with silicon, or any other silicon-based product near the switch, attach a contact protective circuit to suppress the arcing of the switch or eliminate the source of silicon gas generation. Even for a sealed switch, it may not be possible to prevent all of the gas from penetrating the seal rubber, and contact failure may result.

Be sure to use a switch at a temperature and humidity within the specified ranges. If a switch is exposed to radical temperature changes or intense heat, the characteristics of the switch may change. Separate the switch as far as possible from sources of heat to eliminate the influence.

**Storage Environment**

When storing a switch, consider countermeasures (e.g., storing in a plastic bag) to prevent discoloration resulting from sulfidization of terminals (silver-plated). Make sure that the location is free of corrosive gas or dust with no high temperature or humidity. It is recommended that a switch be inspected before use if it is stored for three months or more after the production, depending on the location.

## Switch Trouble and Corrective Action

Type	Location of failure	Failure	Possible cause	Corrective action
Failures related to electrical characteristics	Contact	Contact failure	Dust and dirt on the contacts.	Remove the cause of the problem, place the switch in a box, or use a sealed switch.
			Water or other liquid has penetrated into a switch.	
			Chemical substances have been generated on the contact surface due to the atmosphere containing chemical corrosive gas.	Use a switch having contacts with high environmental resistivity (such as gold or alloy contacts).
			Chemical substances have been generated on the contact surface when the switch switches a very low load.	
			Solder flux has penetrated into the switch.	Review the soldering method or use a sealed or flux-tight switch.
			Silicon gas exists near the switch.	Remove the material generating gas, or adjust contact capacity to prevent formation of silicon compounds on the contacts.
	Malfunition	The contacts are separated from each other by vibration or shock.	Use a switch having a high contact force (generally a high OF).	
	Contact welding	The load connected to the switch is too high.	Switch the load with a high-capacity relay or magnetic relay or insert a contact protection circuit.	
	Insulation degradation (burning)	Contacts have been melted and scattered by arc.	Switch the load with a high-capacity relay or magnetic relay.	
		Water has penetrated into the switch because the switch has been used in an extremely hot environment.	Remove the cause of the problem, place the switch in a box, or use a sealed switch.	
Liquid has penetrated into the switch and been carbonized by arc heat.				
Failures related to mechanical characteristics	Actuator	Operating failure	The sliding part of the actuator has been damaged because an excessive force was applied on the actuator.	Make sure that no excessive force is applied to the actuator, or use an auxiliary actuator mechanically strong.
			Foreign material like dust, dirt and oil has penetrated into the switch.	Remove the cause of the problem or place the switch in a box.
			The actuator does not release because the operating body is too heavy.	Use a switch having a higher OF.
			The switch is loosely installed and thus does not operate even when the actuator is at the rated OP.	Secure the switch.
		Low durability	The shape of the dog or cam is improper.	Change the design of the dog or cam.
			The operating method is improper. The operating speed is too high.	Review the operating stroke and operating speed.
		Damage	A shock has been applied to the actuator.	Remove the cause of problem or use a switch mechanically strong.
	The caulked part is not good enough or the assembled condition is poor.		Replace the switch with a new one.	
	Deformation or drop-out Actuator was subjected to an excessive force and force from an inappropriate direction.		Review the handling and operating method.	
	Mounting section	Damage	Screws have not been inserted straight.	Check and correct screw insertion method.
			The mounting screws were tightened with too much torque.	Tighten the screws with an appropriate torque.
			The mounting pitch is wrong.	Correct the pitch.
			The switch is not installed on a flat surface.	Install the switch on a flat surface.
	Terminal	Damage	An excessive force was applied to the terminal while being wired.	Do not apply an excessive force.
			The plastic part has been deformed by soldering heat.	Reduce the soldering time or soldering temperature. (Refer to the information given under <i>Precautions</i> for that model.)