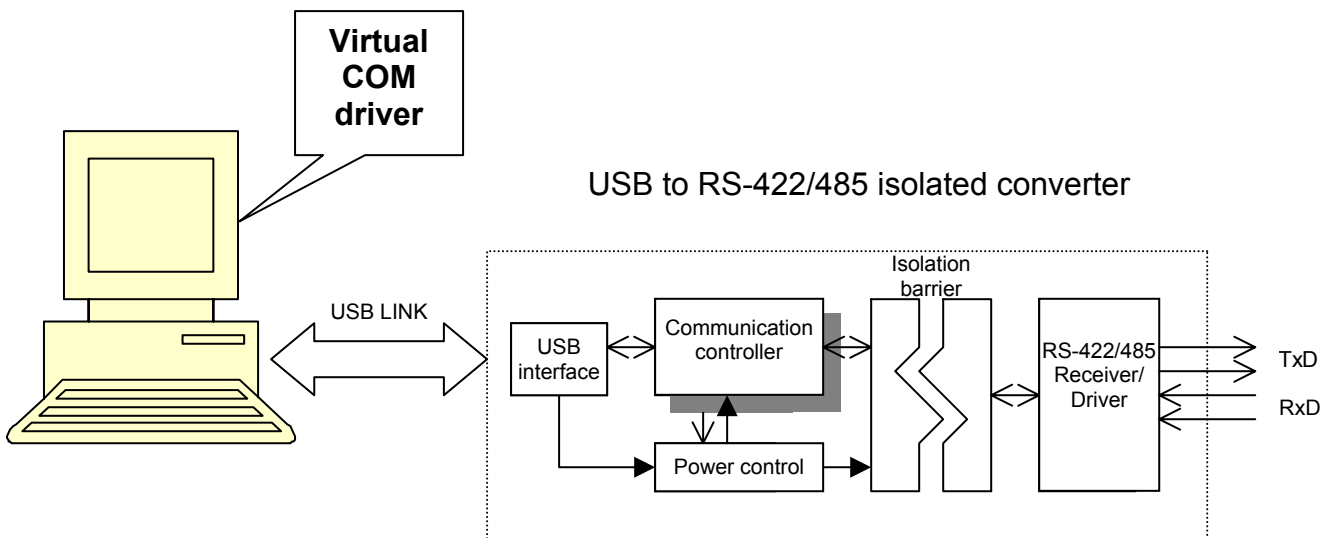


USB to RS-422/485 isolated converter



Features:

- Isolation protection 1000VDC
- Automatic RS485 data flow control
- Self powered from USB port
- User configurable line terminators
- Multiple converters can be attached to single computer
- Plug-and-play installation
- MS WINDOWS 98/ME/2000/XP drivers supported
- Virtual COM port driver handled as standard serial port
- Software programmable transmission rate 110 bps to 115.2 Kbps
- USB 1.1 and USB 2.0 compatible



Applications:

- Industrial control
- Long distance serial transmission (current loop)
- Alternative to RS232 ↔ RS422/485 converters (leaves free COM ports)