

# Power Rheostats

25 Watt



## FEATURES

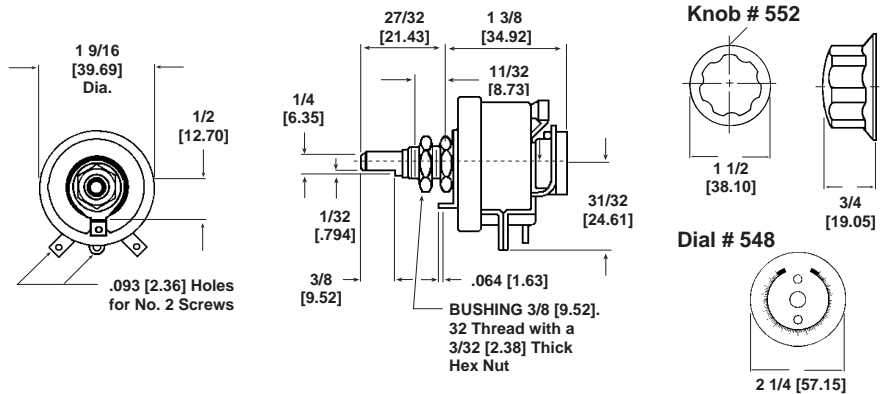
- Diameter 1 9/16" [39.69mm]
- Depth behind panel 1 3/8" [34.92mm]
- Shaft 1/4" [6.35mm] diameter
- Rotation 300° ± 5°
- Weight 0.180 pounds (82 grams)
- Mounts on panels up to 1/4" [6.35mm] by means of a 3/8" [9.52mm], 32 bushing and hex nut
- Non-turn lugs require 3/16" [4.76mm] hole, 1/2" [12.70mm] below center of shaft - Model "A" shaft
- U. L. Recognized, File No. E51076

## RESISTANCE VALUES\*

TOTAL OHMS	MAXIMUM AMPS	APPROXIMATE STEPS
1.0	5.00	28
2.0	3.54	31
3.0	2.89	48
6.0	2.04	51
8.0	1.77	54
10.0	1.58	54
15.0	1.29	64
25.0	1.00	86
35.0	0.85	105
50.0	0.71	115
75.0	0.58	135
100.0	0.50	152
125.0	0.45	143
175.0	0.38	160
250.0	0.32	185
350.0	0.27	205
500.0	0.22	230
750.0	0.18	270
1000.0	0.16	292
1500.0	0.13	353
2500.0	0.10	358
3500.0	0.08	392
5000.0	0.07	440

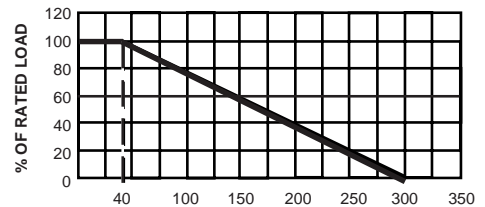
\* All other intermediate resistance values are available and can be manufactured on a normal delivery cycle.

## DIMENSIONS in inches [millimeters]



## DERATING

Angstrom rheostat standard wattage ratings are based on a 300°C rise in "free-air" in ambient not exceeding + 40°C (shown). For other applications, wattage ratings are available based on 340°C rise in "free-air" in ambient not exceeding + 25°C, and in other cases + 50°C.



## SPECIAL SHAFTS in inches [millimeters]

<p><b>TYPE B:</b> 1/2 [12.70], 11/32 [8.73] Models. Slotted shaft with standard bushing for 1/8 [3.18] panel.</p>	<p><b>TYPE C:</b> 3/4 [19.05], 5/8 [15.88] Models. Locking bushing with slotted shaft for 1/4 [6.35] panel.</p>	<p><b>TYPE D:</b> 5/8 [15.88], 1/2 [12.70] Models. Locking bushing with slotted shaft for 1/8 [3.18] panel.</p>	<p><b>TYPE E:</b> 27/32 [21.43], 11/32 [8.73] Models. Std. bushing and flatted shaft w/screwdriver slot for 1/8 [3.18] panel.</p>
---	---	---	---