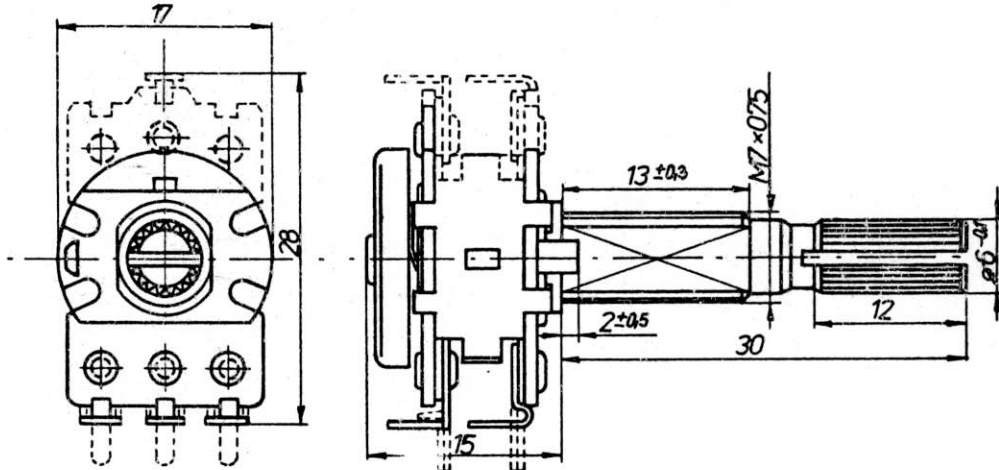


DETENT TANDEM CARBON FILM-TYPE POTENTIOMETERS PR 16

Operated by one spindle :

C - one click, C₁₁ - eleven clicks, C₄₁ - forty one clicks

PR 162 GC - with solder lug terminals
 PRP 162 GC - with printed circuit terminals
 PRT 162 GC - with solder lug terminals and a tap
 PRPT 162 GC - with printed circuit terminals and a tap



PR/P/T/162 GC

Hole pattern

Climatic category	10/070/04
Rated power P_n :	
resistance law A	0.1 W
resistance law B and M + N	0.05 W
Limiting voltage	100 V
Category power	5 % P_n
Rated resistances R_n	according to the series 1-2.2 - 4.7 - 10 etc.
Resistance range	
resistance law A	1 kom - 470 kom
resistance law B	10 kom - 470 kom
resistance law M + N	4.7 kom - 220 kom
Resistance tolerance	± 20 % for $R_n \leq 220$ kom ± 30 % for $R_n > 220$ kom
Matching	
resistance law A	at 50 % of the travel ± 1 dB
resistance law B	at attenuations between 0 - 40 dB ± 3 dB

Elementy do wyczerpania magazynów naszych i naszych dostawców.

W przypadku braku możliwości dostarczenia oryginału proponujemy odpowiedniki lub elementy podobne.

Dystrybutor: MEDITRONIK Sp. z o.o., ul. Wiertnicza 129, 02-952 Warszawa, tel. (+48 22) 651-72-42 wew. 108, fax (+48 22) 651-72-46

http://www.meditronik.com.pl e-mail: office@meditronik.com.pl