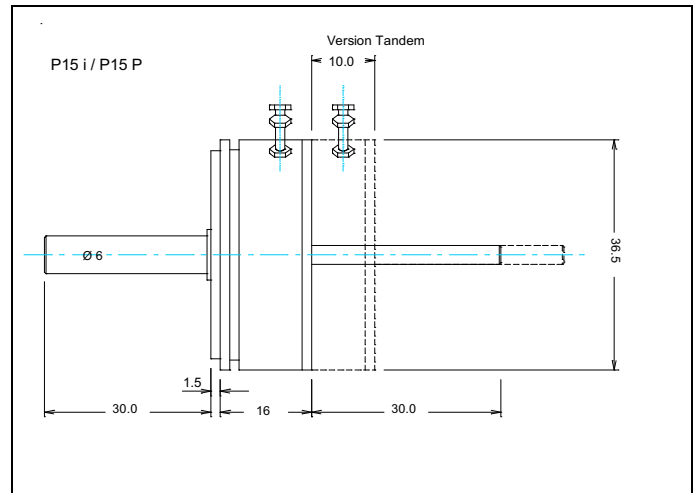
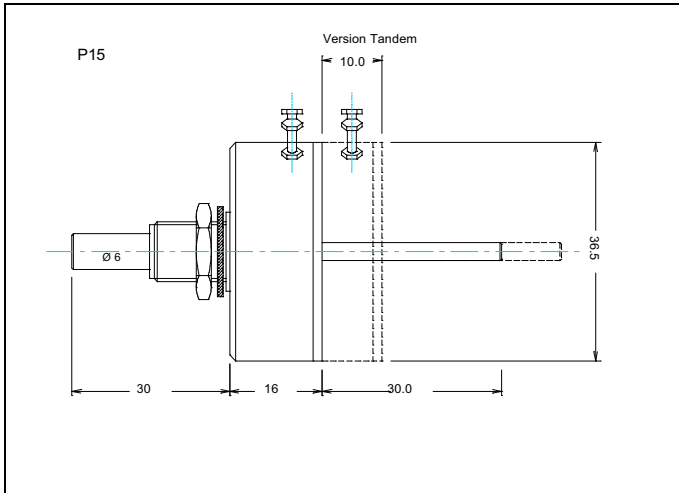


P15 **mechanical stop and bushing**
P15 i **mechanical stop and servo flange**
P15 P **no mechanical stop and servo flange**



	P15	P15 i	P15 P
Technology	wirewound		
Resistance Range	10 ohms to 100 Kohms		
Resistance Tolerance	±5%		
Linearity Tolerance	±0,25%		
Power Rating	4W at 70°C		
Electrical Travel	290° ±5°	290° ±5°	355° ±2°
Mechanical Travel	300° ±5°	300° ±5°	360°
Fixing method	Bushing	Servo Flange	Servo Flange
Bearing	Sleeve Bearings	Sleeve Bearings	Ball Bearings
Life expectancy (shaft movements)	500.000	500.000	3.000.000

OPTIONS :

- Resistance tolerance ±3% or ±1%
- Shaft length different from 30 mm
- Shaft diameter different from 6 mm
- Rear shaft extension (standard one Ø3 mm - length 30 mm)
- Rear shaft extension with length different from 30 mm and Ø different from 3 mm
- Additional terminal(s)
- Tandem section
- Shortened zone(s)
- Special mechanical or electrical travel
- Mechanical stop on P15P - No mechanical stop on P15 & P15 i
- Protection class
- Hole on shaft
- Wires, etc