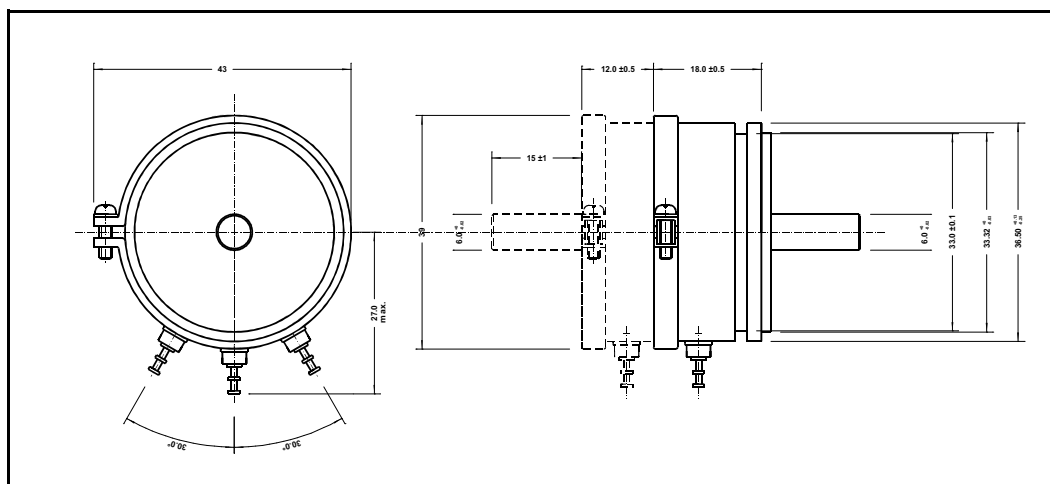




MCP 40

- Servo flange
- No mechanical stop
- Ball bearings



Technology	Conductive plastic element
Resistance Range	1k, 2k, 5k, 10k (opt.20k, 50k, 100k)
Resistance Tolerance	± 5 %
Linearity Tolerance	± 0.1% (opt.±0.05%)
Power Rating at 40°C (0W at +125°C)	1 W
Electrical Travel	340°
Mechanical Travel	360°
Fixing method	servo flange
Bearing	ball bearings
Life expectancy (shaft movements)	50×10^6

OPTIONS :

- Resistance tolerance ±3%
- Tandem section
- Shaft with length and Ø different from standard type
- Rear shaft extension
- Additional terminal (center-tap)