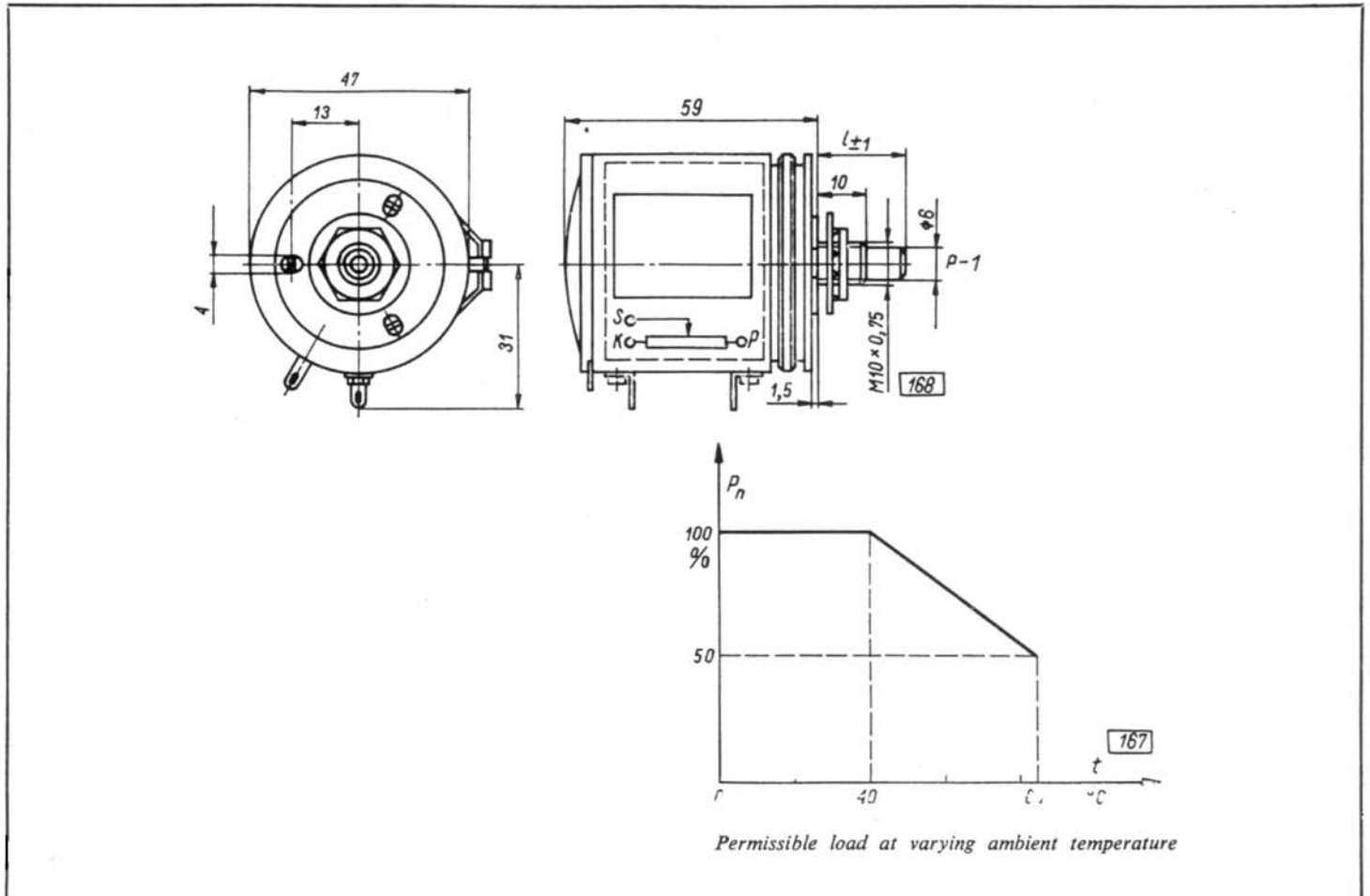


3-37/77



Climatic category	55/085/2I
Rated power P_n	2 W
Rated resistance R_n	2.2; 4.7; 10; 22; 47 k Ω
Tolerance of resistance	$\pm 5\%$ or $\pm 10\%$
Tolerance of characteristic linearity	± 0.25 ; ± 0.5 or $\pm 1\%R_n$
Limit voltage	100 V A.C.
Insulation resistance	$\leq 1000 M\Omega$
Insulation electric strength	500 V A.C.
Full angle of rotation	$360^\circ + 180^\circ$
Active angle of rotation of a slider	$360^\circ \pm 10^\circ$
Initial and end resistance	$\leq 0.5\% R_n$
Shaft length l	20, 25, 32 or 40 mm

Ordering

The following elements should be determined in the order: name and version of potentiometer, rated power, rated resistance, tolerance of resistance, tolerance of characteristic linearity, shaft length, climatic category and standard specification number, eg. potentiometer DW101-2W-2.2k Ω -10%-0.25%-20mm-55/085/2I-ZN-70/MPM-14/L-7/040.

Elementy do wyczerpania magazynów naszych i naszych dostawców.

W przypadku braku możliwości dostarczenia oryginału proponujemy odpowiedniki lub elementy podobne.

Dystrybutor: MEDITRONIK Sp. z o.o., ul. Wiertnicza 129, 02-952 Warszawa, tel. (+48 22) 651-72-42 wew. 108, fax (+48 22) 651-72-46

<http://www.meditronik.com.pl> e-mail: office@meditronik.com.pl