



BOURNS®

Features

- Snap-in mounting
- Space saving - extends only 5/8" behind most panels
- Easy one-hole, snap-in mounting
- Digital dial provides excellent readability

3610 - Precision Potentiometer

Electrical Characteristics¹

Standard Resistance Range	100 to 100K ohms
Resistance Tolerance	±5%
Accuracy (Correlation of Dial Readout to Voltage Ratio Output)	±0.5% voltage ratio
Repeatability of Dial Readout	±0.1% voltage ratio
Resolution	See recommended part numbers
Effective Electrical Angle	3600° nominal
Absolute Minimum Resistance	1 ohm or 0.1% maximum (whichever is greater)
Noise	100 ohms ENR maximum
Power Rating	
(Voltage Limited By Power Dissipation or 385 VAC, Whichever is Less)	
+25°C	1.5 watts
+85°C	0 watt
Dielectric Withstanding Voltage	MIL-STD-202, Method 301
Sea Level	1,000 VAC minimum
70,000 Feet	400 VAC minimum
Insulation Resistance (500 VDC)	1,000 megohms minimum

Environmental Characteristics¹

Operating Temperature	
Static Operation Temperature Range	-25°C to +85°C
Dynamic Operation Temperature Range	+1°C to +85°C
Temperature Coefficient ²	±50ppm/°C maximum/wire
Moisture Resistance	MIL-STD-202, Method 103, Condition B
Total Resistance Shift	±2% maximum
Vibration	10G
Wiper Bounce	0.1 millisecond maximum
Total Resistance Shift	±2% maximum
Voltage Ratio Shift	±0.2% maximum
Shock	50G
Wiper Bounce	0.1 millisecond maximum
Total Resistance Shift	±2% maximum
Voltage Ratio Shift	±0.2% maximum
Load Life	1,000 hours, 1.5 watts
Total Resistance Shift	±2% maximum
Rotational Life (No Load)	50,000 shaft revolutions
Total Resistance Shift	±2% maximum

Mechanical Characteristics¹

Mechanical Angle	3600° +20°, -0°
Stop Strength20 oz.-in. (14 Ncm) minimum
Torque (Starting & Running)	4.0 oz.-in. (2.8 Ncm) maximum
Variation	1.0 oz.-in. (0.71 Ncm) maximum
Backlash	1.0° maximum
Weight	Approximately 20G
Terminals	Gold-plated J-Hooks
Markings	Manufacturer's name and part number, resistance value and date code

¹At room ambient: +25°C nominal and 50% relative humidity nominal, except as noted.

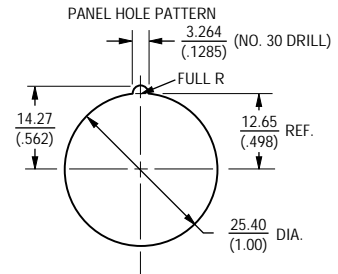
²Consult manufacturer for complete specification details for resistances below 500 ohms and above 100K ohms.

Recommended Part Numbers

Part Number	Resistance (W)	Resolution (%)
3610S-1-102	1,000	.035
3610S-1-502	5,000	.027
3610S-1-103	10,000	.022

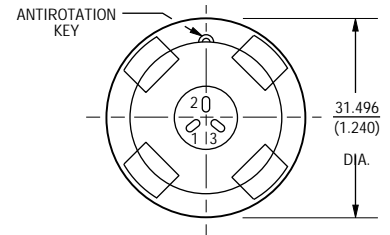
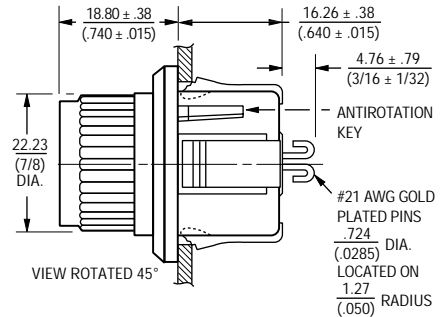
BOLD-FACE LISTINGS ARE IN STOCK AND READILY AVAILABLE THROUGH DISTRIBUTION.

FOR OTHER OPTIONS CONSULT FACTORY.



NOTES:

- SNAP-IN MOUNTING CUP ACCOMMODATES PANEL THICKNESS
 $\frac{.64}{(.025)}$ THRU $\frac{1.98}{(.078)}$ (NO. 22GA)
 THRU NO. 14GA) AND $\frac{3.18}{(.125)}$



TOLERANCES: EXCEPT WHERE NOTED

DECIMALS: XX ± $\frac{.25}{(.010)}$, XXX ± $\frac{.13}{(.005)}$

FRACTIONS: ±1/64

DIMENSIONS: $\frac{MM}{(IN.)}$

