



## Features

- Bushing mount
- Cost saving; pre-phased
- Highly readable clockface readout
- Easy mounting

# 3600 - Precision Potentiometer

### Electrical Characteristics<sup>1</sup>

Standard Resistance Range .....	100 to 100K ohms
Resistance Tolerance .....	±5%
Accuracy (Correlation of Dial Readout to Voltage Ratio Output) .....	±0.5% voltage ratio
Repeatability of Dial Readout .....	±0.1% voltage ratio
Resolution .....	See recommended part numbers
Effective Electrical Angle .....	3600° nominal
Absolute Minimum Resistance .....	1 ohm or 0.1% maximum (whichever is greater)
Noise .....	100 ohms ENR maximum
<b>Power Rating</b>	
(Voltage Limited By Power Dissipation or 385 VAC, Whichever is Less)	
+25°C .....	1.5 watts
+85°C .....	0 watt
<b>Dielectric Withstanding Voltage</b> .....	
Sea Level .....	MIL-STD-202, Method 301
70,000 Feet .....	1,000 VAC minimum
Insulation Resistance (500 VDC) .....	400 VAC minimum
	1,000 megohms minimum

### Environmental Characteristics<sup>1</sup>

<b>Operating Temperature</b>	
Static Operation Temperature Range .....	-65°C to +85°C
Dynamic Operation Temperature Range .....	+1°C to +85°C
Temperature Coefficient <sup>2</sup> .....	±50ppm/°C maximum/unit
<b>Moisture Resistance</b> .....	
Total Resistance Shift .....	MIL-STD-202, Method 103, Condition B
	±2% maximum
<b>Vibration</b> .....	
Wiper Bounce .....	10G
Total Resistance Shift .....	0.1 millisecond maximum
Voltage Ratio Shift .....	±2% maximum
	±0.2% maximum
<b>Shock</b> .....	
Wiper Bounce .....	50G
Total Resistance Shift .....	0.1 millisecond maximum
Voltage Ratio Shift .....	±2% maximum
	±0.2% maximum
<b>Load Life</b> .....	
Total Resistance Shift .....	1,000 hours, 1.5 watts
	±2% maximum
<b>Rotational Life (No Load)<sup>2</sup></b> .....	
Total Resistance Shift .....	200,000 shaft revolutions
	±2% maximum

### Mechanical Characteristics<sup>1</sup>

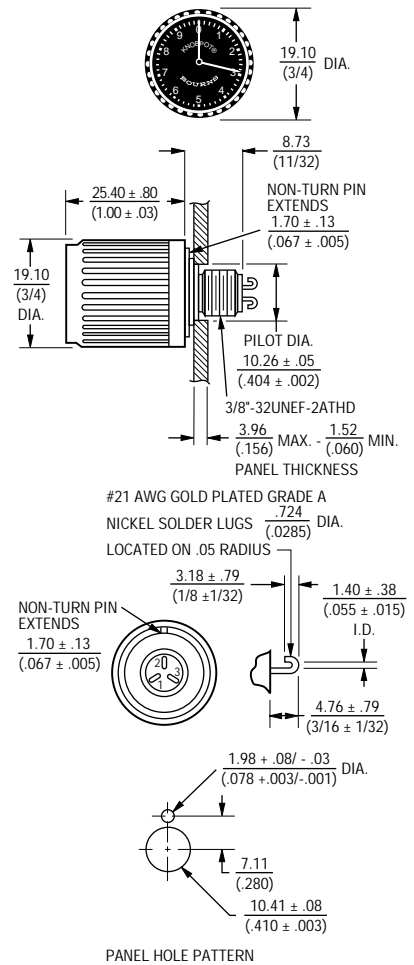
Mechanical Angle .....	3600° +20°, -0°
Stop Strength .....	20 oz.-in. (14 Ncm) minimum
Torque (Starting & Running) .....	4.0 oz.-in. (2.8 Ncm) maximum
Variation .....	1.0 oz.-in. (0.71 Ncm) maximum
Backlash .....	1.0° maximum
Weight .....	Approximately 17G
Terminals .....	Gold-plated J-Hooks
Markings .....	Manufacturer's name and part number, resistance value and date code

<sup>1</sup>At room ambient: +25°C nominal and 50% relative humidity nominal, except as noted.  
<sup>2</sup>Consult manufacturer for complete specification details for resistances below 100 ohms.

### Recommended Part Numbers

Part Number	Resistance (Ω)	Resolution (%)
<b>3600S-1-102</b>	<b>1,000</b>	<b>.035</b>
<b>3600S-1-502</b>	<b>5,000</b>	<b>.027</b>
<b>3600S-1-103</b>	<b>10,000</b>	<b>.022</b>

BOLD-FACE LISTINGS ARE IN STOCK AND READILY AVAILABLE THROUGH DISTRIBUTION.  
 FOR OTHER OPTIONS CONSULT FACTORY.



LOCKWASHER AND MOUNTING NUT TO BE SUPPLIED WITH EACH UNIT

TOLERANCES: EXCEPT WHERE NOTED  
 DECIMALS: .XX ± .25 / (.010), .XXX ± .13 / (.005)  
 FRACTIONS: ±1/64  
 DIMENSIONS: MM (IN.)

