

## Features

- 3/8" Square/ Multiturn / Cermet / Industrial / Sealed
- Five popular terminal styles
- Standoffs
- Patent #4427966 drive mechanism

# 3299 - 3/8" Square Trimming Potentiometer

### Electrical Characteristics

Standard Resistance Range .....10 to 2 megohms  
 (see standard resistance table)  
 Resistance Tolerance .....±10% std.  
 (tighter tolerance available)  
 Absolute Minimum Resistance .....1% or 2 ohms max.  
 (whichever is greater)  
 Contact Resistance Variation .....1.0% or 3 ohms max.  
 (whichever is greater)  
 Adjustability  
 Voltage .....±0.01%  
 Resistance .....±0.05%  
 Resolution .....Infinite  
 Insulation Resistance .....500 vdc.  
 1,000 megohms min.  
 Dielectric Strength  
 Sea Level .....900 vac  
 70,000 Feet .....350 vac  
 Effective Travel .....25 turns nom.

### Environmental Characteristics

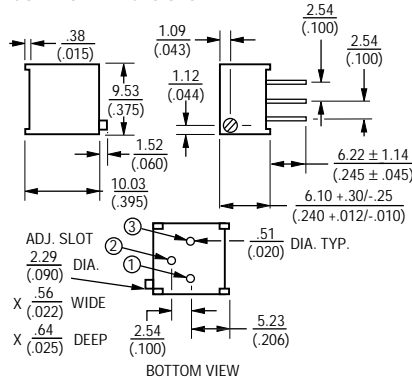
Power Rating (300 volts max.)  
 70°C .....0.5 watt  
 125°C .....0 watt  
 Temperature Range .....-55°C to +125°C  
 Temperature Coefficient .....±100ppm/°C  
 Seal Test .....85°C Fluorinert\*  
 Humidity .....MIL-STD-202 Method 103  
 96 hours  
 (2% ΔTR, 10 Megohms IR)  
 Vibration .....20G (1% ΔTR; 1% ΔVR)  
 Shock .....100G (1% ΔTR; 1% ΔVR)  
 Load Life  
 .....1,000 hours 0.5 watt @ 70°C  
 (3% ΔTR; 3% or 3 ohms,  
 whichever is greater, CRV)  
 Rotational Life .....200 cycles  
 (4% ΔTR; 3% or 3 ohms,  
 whichever is greater, CRV)

### Physical Characteristics

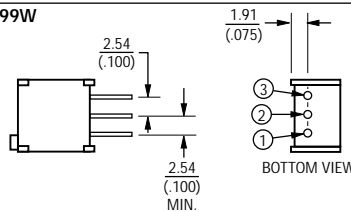
Torque .....3.0 oz-in. max.  
 Mechanical Stops .....Wiper idles  
 Terminals .....Solderable pins  
 Weight .....0.035 oz.  
 Marking .....Manufacturer's  
 trademark, resistance code,  
 wiring diagram, date code,  
 manufacturer's model  
 number and style  
 Wiper .....Set at CW end  
 Flammability .....U.L. 94V-0  
 Standard Packaging .....50 pcs. per tube  
 Adjustment Tool .....H-90

### 3299P

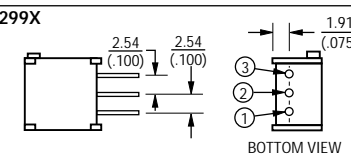
#### Common Dimensions



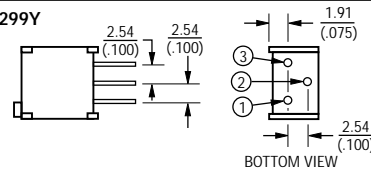
### 3299W



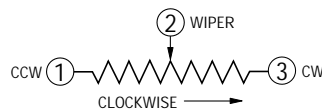
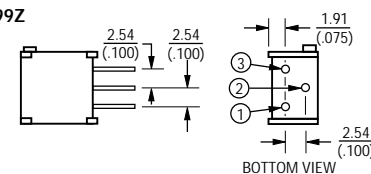
### 3299X



### 3299Y



### 3299Z



TOLERANCES: ± 0.25 (.010) EXCEPT WHERE NOTED

DIMENSIONS ARE:  $\frac{\text{METRIC}}{\text{(INCHES)}}$

### Standard Resistance Table

Resistance (Ohms)	Resistance Code
<b>10</b>	<b>100</b>
<b>20</b>	<b>200</b>
<b>50</b>	<b>500</b>
<b>100</b>	<b>101</b>
<b>200</b>	<b>201</b>
<b>500</b>	<b>501</b>
<b>1,000</b>	<b>102</b>
<b>2,000</b>	<b>202</b>
<b>5,000</b>	<b>502</b>
<b>10,000</b>	<b>103</b>
<b>20,000</b>	<b>203</b>
<b>25,000</b>	<b>253</b>
<b>50,000</b>	<b>503</b>
<b>100,000</b>	<b>104</b>
<b>200,000</b>	<b>204</b>
<b>250,000</b>	<b>254</b>
<b>500,000</b>	<b>504</b>
<b>1,000,000</b>	<b>105</b>
<b>2,000,000</b>	<b>205</b>

Popular values listed in boldface. Special resistances available.

### How To Order

Model 3299 W - 1 - 103  
 Style \_\_\_\_\_  
 Standard or Modified \_\_\_\_\_  
 Product Indicator \_\_\_\_\_  
 -1 = Standard Product  
 Resistance Code \_\_\_\_\_  
 Consult factory for other available options.

\*"FLUORINERT" IS A REGISTERED TRADEMARK OF 3M CO.