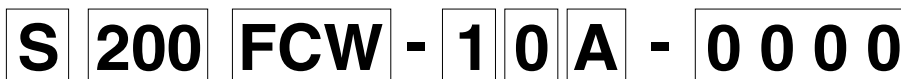


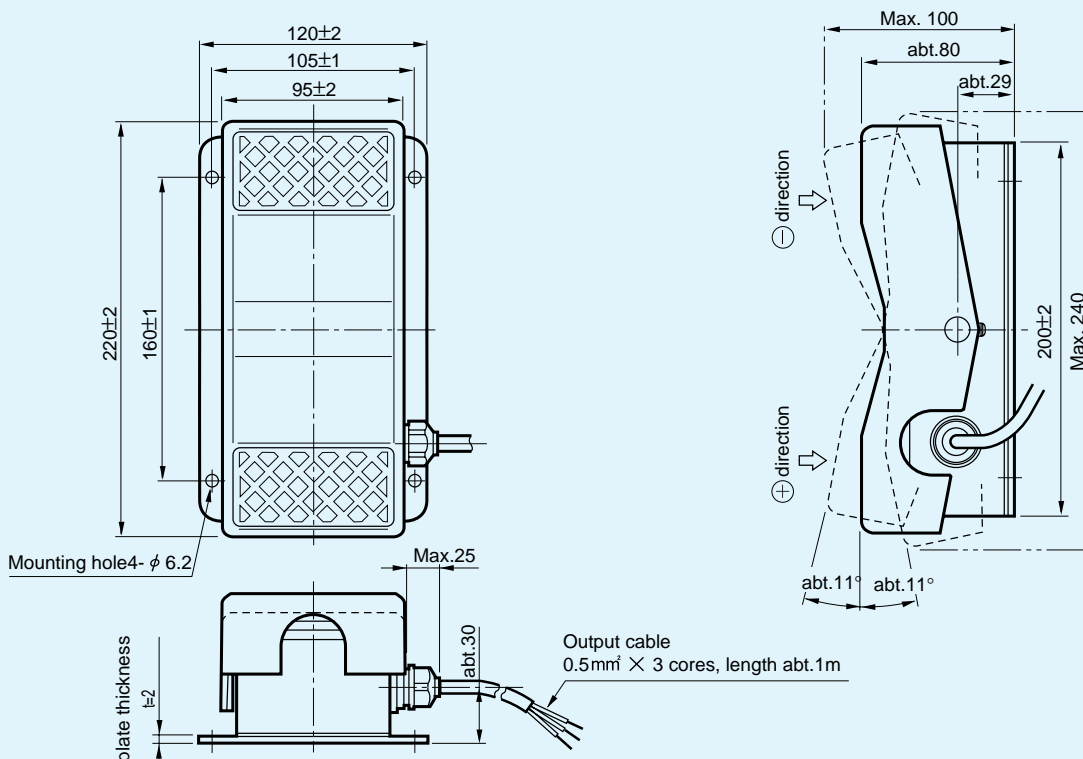
200FCW

Nomenclature



- **S**
S means special mechanical specifications not applicable to our standard.
- **200**
200 means approx. size of base housing in mm.
- **FCW**
FC means Foot Controller,
W means seesaw pedal type.
- **0 ①** Number of switches to be mounted (Option).
0--No switch mounted.
1--1 switch mounted.
2--2 switches mounted.
- **A ②** Rating of switch : A. B. C. ---Code-switch
D. E. F. ---Micro-switch
(For details, please refer to page 56)
G----Other switch
- **1** Number of potentiometers to be mounted (model SFCP22E)
0--No potentiometer mounted.
1--1 potentiometer mounted.
2--2 potentiometers mounted (Option).
- **0000**
Special branch number basing on customer's special requirements with 4 digits number.

Standard Dimensions





200FCW-10
(standard)

STANDARD SPECIFICATIONS

● Mechanical Performances

Operating method : Stepping seesaw pedal type

Operating angle : Approx. $\pm 11^\circ$

Operating force : With standard automatically spring return device to the center position.

Abt. 20N (Abt. 2,000gf.)

Operating temperature range : $-20^\circ\text{C} \sim +65^\circ\text{C}$

Vibration : $10 \sim 55\text{Hz } 98\text{m/s}^2(10\text{G})$

Shock : $294\text{m/s}^2(30\text{G})$

Life expectancy : Approx. 1,000,000 operations

Mass : Approx. 1.5kg

● Electrical Performances

Potentiometer mounted : SFCP22E, $10\text{k}\Omega \pm 20\%$, 0.35W, Independent linearity tolerance $\pm 3\%$ (conductive plastic resistive element)

Electrical rotating angle : Approx. 75°

Center shortened zone : With a shortened zone with abt. 8° (abt. $\pm 4^\circ$) in the center position

Center returning accuracy : $50\% \pm 1.5\%$

Output smoothness : Below 0.2% against input voltage

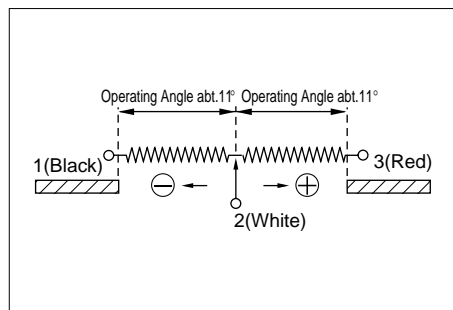
Contact resistance variation : Below 5% C.R. V.

Resolution : Essentially infinite

Dielectric strength : 1minute at 500V A.C.

Insulation resistance : Over $1,000\text{M}\Omega$ at 500V D. C.

● Terminal Connection Diagram



● Special Specifications Available

● With switch mounted :

For rating of switch, please see page 56.

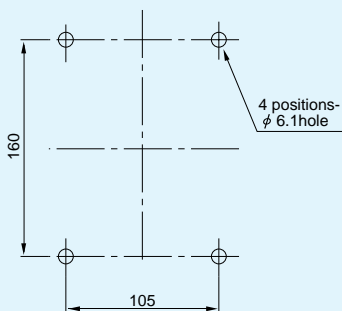
If you require the unit with one switch mounted, unless otherwise specified, we supply the unit with A version switch (code-switch with "ON" operation at about $\pm 3^\circ$ from the beginning of stepping).

- Automatically one-sided return type
- With a center tap on the incorporated pot.

(Model S200FCW-11G)

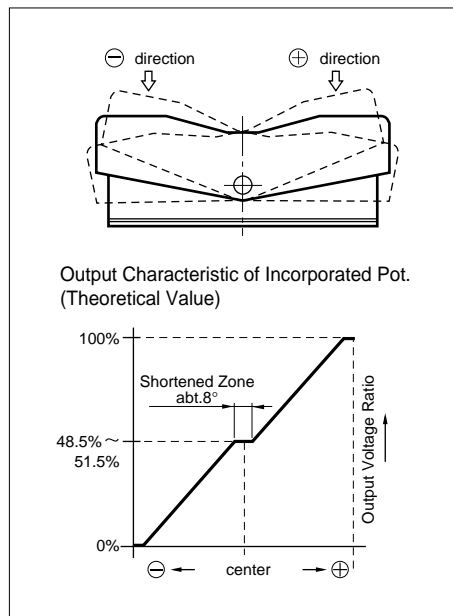
- IP65 sealing
- 2 ganged potentiometer
- Special resistance value on potentiometer
- An intermediate tap on potentiometer

■ Panel Arrangements



(Unit : mm)

● Output Characteristics



● Angle of Stepping

