

4 Megabit (256K x 16) UV EPROM and OTP EPROM

DATA BRIEFING

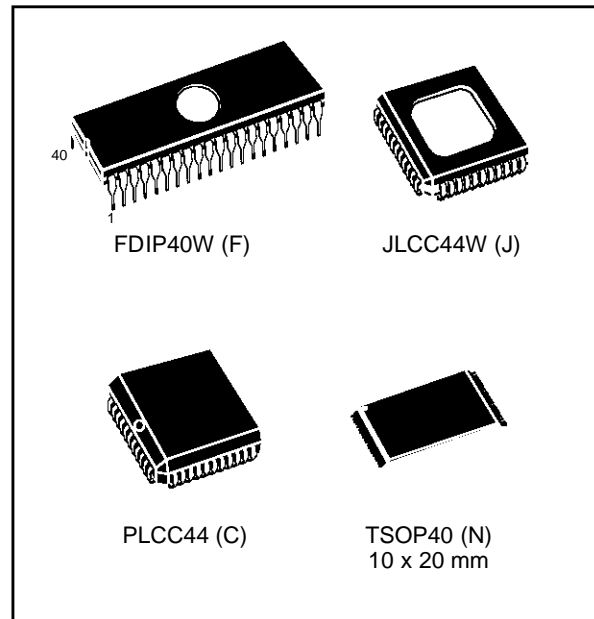
- FAST ACCESS TIME: 70ns
- LOW POWER "CMOS" CONSUMPTION:
 - Active Current 50mA at 5MHz
 - Standby Current 100µA
- PROGRAMMING VOLTAGE: 12.75V
- ELECTRONIC SIGNATURE for AUTOMATED PROGRAMMING
- PROGRAMMING TIMES of AROUND 24sec. (PRESTO II ALGORITHM)

DESCRIPTION

The M27C4002 is a high speed 4 Megabit UV erasable and electrically programmable EPROM ideally suited for microprocessor systems requiring large programs. It is organised as 262,144 by 16 bits.

The Window Ceramic Frit-Seal Dual-in-Line and J-Lead Chip Carrier packages have transparent lids which allow the user to expose the chip to ultraviolet light to erase the bit pattern. A new pattern can then be written to the device by following the programming procedure.

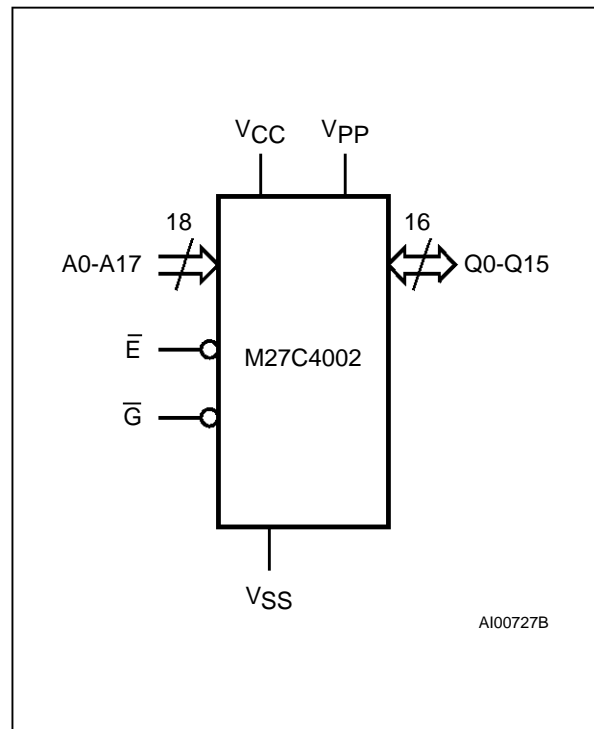
For applications where the content is programmed only one time and erasure is not required, the M27C4002 is offered in both Plastic Leaded Chip Carrier and Plastic Thin Small Outline packages.



Signal Names

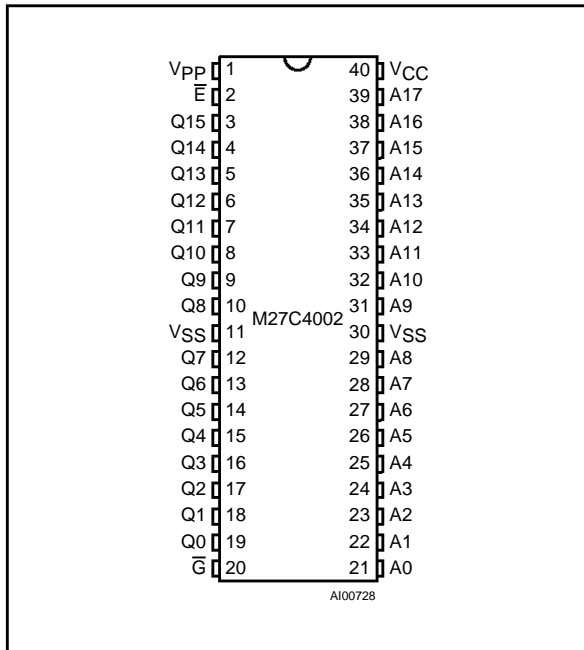
A0 - A17	Address Inputs
Q0 - Q15	Data Outputs
\bar{E}	Chip Enable
\bar{G}	Output Enable
V _{PP}	Program Supply
V _{CC}	Supply Voltage
V _{SS}	Ground

Logic Diagram

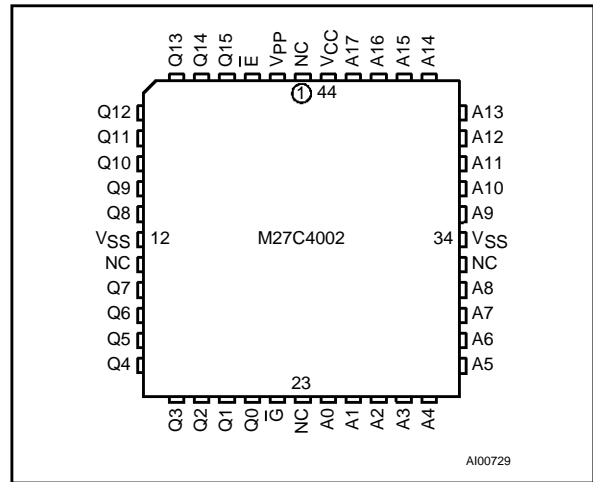


M27C4002

DIP Pin Connections



LCC Pin Connections



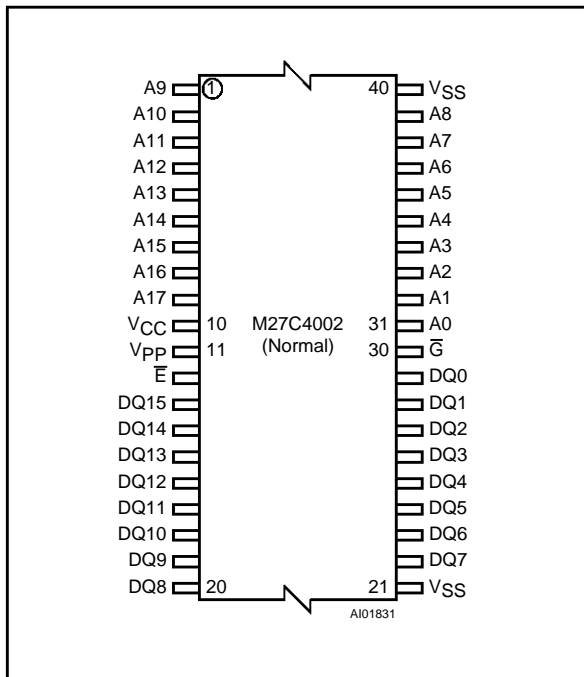
Warning: NC = Not Connected.

Ordering Information Scheme

For a list of available options refer to the current Memory Shortform catalogue.

For further information on any aspect of this device, please contact the SGS-THOMSON Sales Office nearest to you.

TSOP Pin Connections



Example: M27C4002 -70 X C 1 X

Speed	-70	X	C	1	X
-70	70ns				
-80	80ns				
-90	90ns				
-10	100ns				
-12	120ns				
-15	150ns				
-20	200ns				
Vcc Tolerance	X				
X	± 5V				
blank	± 10V				
Package	F				
F	FDIP40W				
J	JLCC44W				
C	PLCC44				
N	TSOP40				
	10 x 20mm				
Temp. Range	1				
1	0 to 70 °C				
6	-40 to 85 °C				
Option	X				
X	Additional Burn-in				
TR	Tape & Reel Packing				